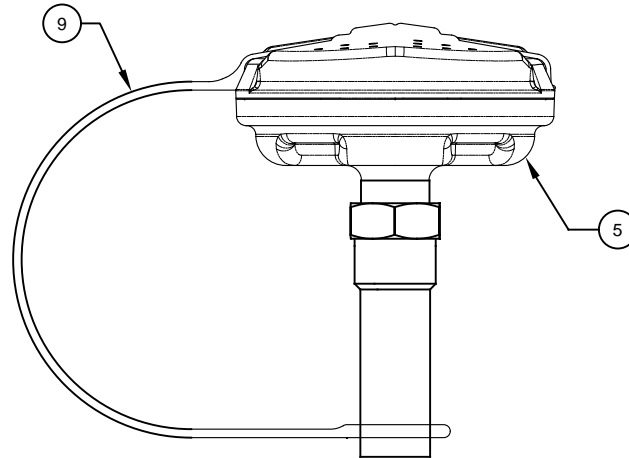
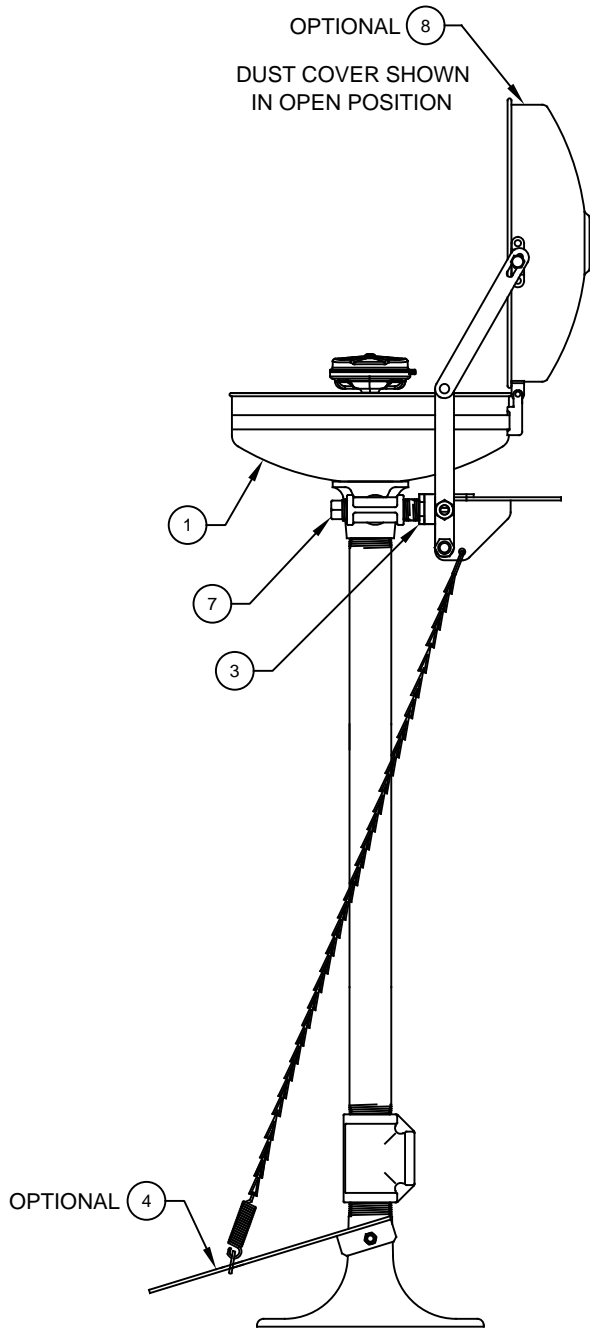
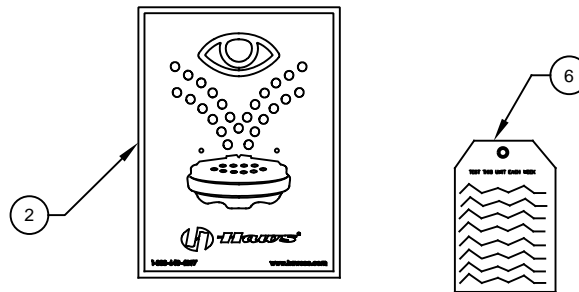


ITEM	DESCRIPTION	PART NO.	
1	BOWL	SP90	
2	SP175 EYEWASH SIGN	SP175	
3	SP232 VALVE ASSEMBLY	SP232	
OPTIONAL	4	SP220SS FOOT TREADLE	SP220SS
	5	SP65SS EYE/FACE WASH	SP65SS
	6	SP170 TEST TAG	SP170
	7	SP509SS L-STRAINER	SP509SS
OPTIONAL	8	9102 DUST COVER ASSEMBLY	9102
	9	E/F WASH DUST COVER	9091




SP65SS EYE/FACE WASH ASSEMBLY



PARTS BREAKDOWN

WHEN ORDERING PARTS PLEASE SPECIFY MODEL NUMBER.

		Haws [®]		1455 KLEPPE LANE SPARKS, NEVADA 89431 (775) 359-4712 FAX (775) 359-7424 E-MAIL: HAWS@HAWS.CO.COM WEBSITE: WWW.HAWS.CO.COM	
				ECN NO. REVISED PER BY ECN: 5530 FV	MODEL(S) 7777
DRAWN CLF	DATE 03/04/96	CHKD DP			
APPROVED NE	DATE 03/27/20	SCALE: 1/4	DRAWING TYPE: PARTS BREAKDOWN	SIZE: A	SHEET 1 OF 1
					REVISION 17