

LS7000 LEVEL SWITCH
OWNERS MANUAL

- ◆ INSTALLATION
- ◆ CALIBRATION
- ◆ TROUBLESHOOTING
- ◆ WARRANTY

NOTICE

This manual contains important information necessary for the proper operation of this product. Before installing the unit, please read these instructions and familiarize yourself with the requirements and functions of this device.

Any use or distribution of this document without express consent of Babbitt International, Inc. is prohibited. Any reproduction is prohibited without written permission.

In no event will Babbitt International, Inc. be liable for any mistake, including lost profits, lost savings, environmental compliance cost or other incidental or consequential damages or injury arising out of the use or inability to use this manual. Terms and conditions found on our website at www.babbittinternational.com contain additional liability limitations related to this product.

If any questions or problems arise during installation, please contact:

Customer Service: 1-800-835-8012 or 713-467-4438 (8:00 a.m. to 5:00 p.m. CST US)

 **WARNING**

Failure to follow safe installation and servicing guidelines could result in death or serious injury.

- Make sure only qualified personnel perform the installation.
- Use the equipment only as specified in this manual. Failure to do so may impair the protection provided by the equipment.
- Do not perform any services other than those contained in this manual unless you are qualified.
- Verify the operating environment of the Babbitt LS7000 is consistent with the appropriate area classification.

Improper use or installation of this device may cause the following:

- Personal injury or harm.
- Application hazards such as overflow or overflows.
- Damage to the device or system.

High voltage that may be present on leads could cause electrical shock.

- Make sure the main power to the Babbitt LS7000 level switch is off and the lines to any other external power source are disconnected or not powered while wiring the instrument.



Table of Contents

1. DESCRIPTION	4
1.1 General Description.....	4
1.2 Specifications.....	4
1.3 Ordering Information	5
1.4 GA Drawing.....	5
3. INSTALLATION	6
3.1 Inspection	6
3.2 Bench Test	6
3.3 Physical Installation.....	6
3.4 Removing the Electronics	7
3.5 Typical Applications and Wiring Diagrams	8
4. CALIBRATION	14
4.1 Time Delay.....	14
4.2 Setting the Time Delay	14
4.3 Fail Safe Selection.....	15
4.4 Sensitivity Calibration.....	15
5. MAINTENANCE AND TROUBLESHOOTING	16
6. WARRANTY	17

LS7000 LEVEL SWITCH**1. DESCRIPTION****1.1 General Description**

The LS7000 is a point level switch that detects the presence or absence of material in a bin, silo, tank or other container. The basic unit is made up of a solid stainless-steel probe attached to an explosion proof housing. Inside the explosion proof housing are all calibration adjustments and sensing electronics. The unit is calibrated in the absence of material and an internal relay changes state when material is detected.

1.2 Specifications**Electrical**

Power:	115 VAC ($\pm 15\%$) 50/60 Hz. 2 watts, standard. (12 VDC, 24 VDC or 230 VAC optional)
Output:	2 Form C contacts, DPDT relay, 5 amp resistive At 125, 250 VAC; 30 VDC
Fuse:	On board, 250 mA @ 125 volts
Fail Safe:	Selectable high or low level
Time Delay:	Selectable: ON or OFF delay Adjustable: 1/8 sec to 2 hrs.
RF Frequency:	Approximately 1.3 MHz

Environmental

Enclosure:	Cast aluminum, Class I, Groups C & D; Class II, Groups E, F & G
Temperature:	Probe: -30° F to 450° F * Electronics: -40° F to 185° F
Pressure:	Probe: 1500 psi @ 75° F with 1" NPT – Standard (300 psi @ 75 ° F with 3/4" NPT - Optional)
Construction:	Probe: All wetted parts, 316 SS, Teflon and Viton. Electronics: Housed in cast aluminum explosion proof enclosure.

*Higher temperatures available upon request.

Specifications subject to change without notice

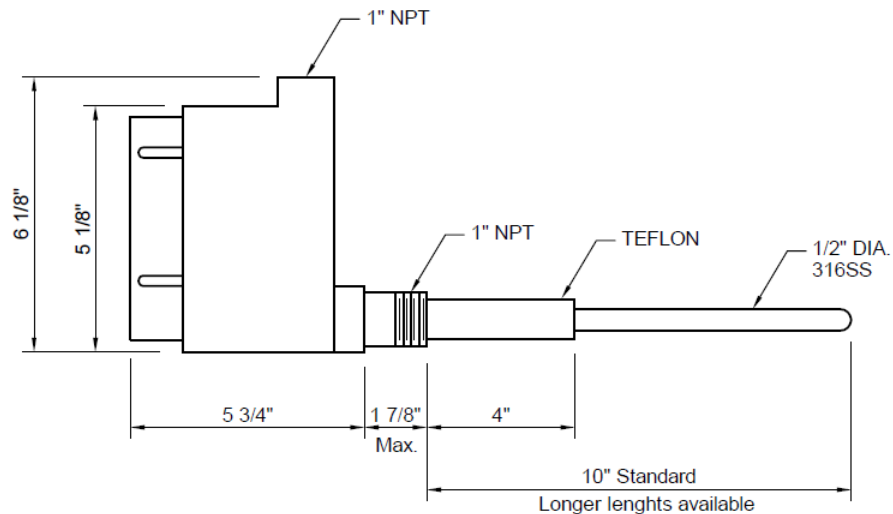
1.3 Ordering Information

Model	Supply Voltage	Probe Material	Probe Length (Inches)	Additional Options
LS7000	115VAC	S	10"	X
	115VAC 24VDC 220VAC 12 VDC			
		S-316SS C-Cable Probe H-HALAR T- TEFLON Sleeve		
		Rigid Probes 4" to 144" Cable Probes 10" to 420" Teflon Sleeve 10" to 144"		
		Flange (Specify Size & Rating) 1.5" TC – Tri-Clamp Connection 2" TC – Tri-Clamp Connection XSP-Extra Static Protection (Plastics)		

Example P/N: LS7000-24VDC-S-10" or LS7000-115VAC-H-10"-1" 150# Flange

Special materials of construction are available – consult factory.

1.4 GA Drawing



2. THEORY OF OPERATION

The LS7000 employs a radio frequency (RF) balanced impedance bridge circuit to detect if the probe is in contact with the material that is to be sensed. When material is not in contact with the probe, the bridge is balanced by turning the adjustment pot to find the threshold where the red led goes out. When material is in contact with the probe, the bridge becomes unbalanced and the comparing circuit realizes the change. This causes the relay to change state.

3. INSTALLATION

CAUTION: ALL INSTALLATION AND WIRING MUST CONFORM TO NEC AND ALL OTHER LOCAL ELECTRICAL CODES. TAKE SPECIAL CARE IN OBSERVING HAZARDOUS AREA SAFETY PROCEDURES. WE ASSUME NO LIABILITY FOR IMPROPERLY INSTALLED OR WIRED UNITS.

3.1 Inspection

Carefully unpack the LS7000 from the shipping box and check each item against the packing list before destroying any packing material. Visually inspect for any damage that may have occurred during shipping. Please advise the factory or your local distributor of any damage.

3.2 Bench Test

*THIS IS AN EXCELLENT TIME TO BECOME FAMILIAR WITH THE TIME DELAY IF IT IS TO BE USED IN YOUR APPLICATION. (See calibration instructions, section 4.1 and 4.2)

On the bench, hook up the appropriate power to L1 and L2. The operating voltage of the LS7000 is marked on the power supply board. Hold the unit so that nothing is touching any surface and press the test switch. When the test switch is depressed, the red led should come on. This simulates product touching the probe. If a timing mode has been selected it will operate as if installed.

NOTE: The timing mode can be adjusted when checking the unit, but the sensitivity adjustment **MUST BE MADE AFTER** the unit is installed where it will be used.

3.3 Physical Installation

- 1) The LS7000 is installed into the vessel wall using a 1" NPT process connection. This can be either a threaded coupling or a tapped entry such as a flange.
- 2) The insulator should always extend at least 2" through the vessel wall.
- 3) Always check for physical room around the location you have chosen to allow for installation. Allow 3.25" turning radius to screw the probe in and clearance above for the length of the probe.

- 4) **CAUTION:** Always take the necessary safety precautions when cutting or welding in the coupling for the LS7000.
- Tag and lock out the electrical power to the equipment that services the vessels.
 - Check liquid or dry powders that create a gas in the vessel for oxygen as well as the explosion factor. (All dust will explode.)
 - Vessels that are cross vented have to be isolated.
- 5) Screw the LS7000 into the connection provided. In dry material applications, no sealant on the threads is required. On liquid applications, Teflon or a good pipe thread sealant may be used.
- 6) The LS7000 has a 1" conduit entry. When wiring these units, conform to the National Electrical Code and any other city or company codes.
- 7) Always install the electrical connection into the 1" conduit entry on the LS7000 so water will not follow the connection routing into the threads of the conduit hub. To guarantee that condensation and water will stay outside the unit, install an EYSM unilet before each LS7000 and fill with explosion proof sealing cement.
- 8) When required, the LS7000 probe can be bent to meet your special application. Remember to allow 2" of clearance between the probe and the vessel wall. If the probe is to be used in a pressure application, the factory must bend the probe to your specifications.

- 9) Location of probes on high level installations is more critical on dry materials than liquids. Note the following:
- For dry materials, mount the LS7000 in the top of the vessel whenever possible. (This allows you to lengthen the probe if necessary.)
 - Avoid mounting the LS7000 near the product inlet, vent return lines, dust collectors and vessel discharge openings on dry materials. Turbulence around these areas can cause erratic detection unless the probe is long enough. On old installations it might be wise to fill the vessel first to determine the length of the probe. We recommend a 36" top mounted high level probe in storage silos and 24" in smaller vessels such as bins.
- CAUTION:** Always take safety precautions before opening vessels for such inspections.
- On gravity filled vessels, take into consideration the angle of repose formed by the product.
 - On dry product that flows like water (starch), when using the LS7000 to stop the flow by means of a butterfly valve or knifegate, make sure the probe is long enough to allow time to close these slow moving valves.
 - In small vessels where a good location is hard to find, it may be necessary to put a baffle plate between the probe and the product inlet to keep product off of the probe as it fills. (A short time delay could also solve this problem.)

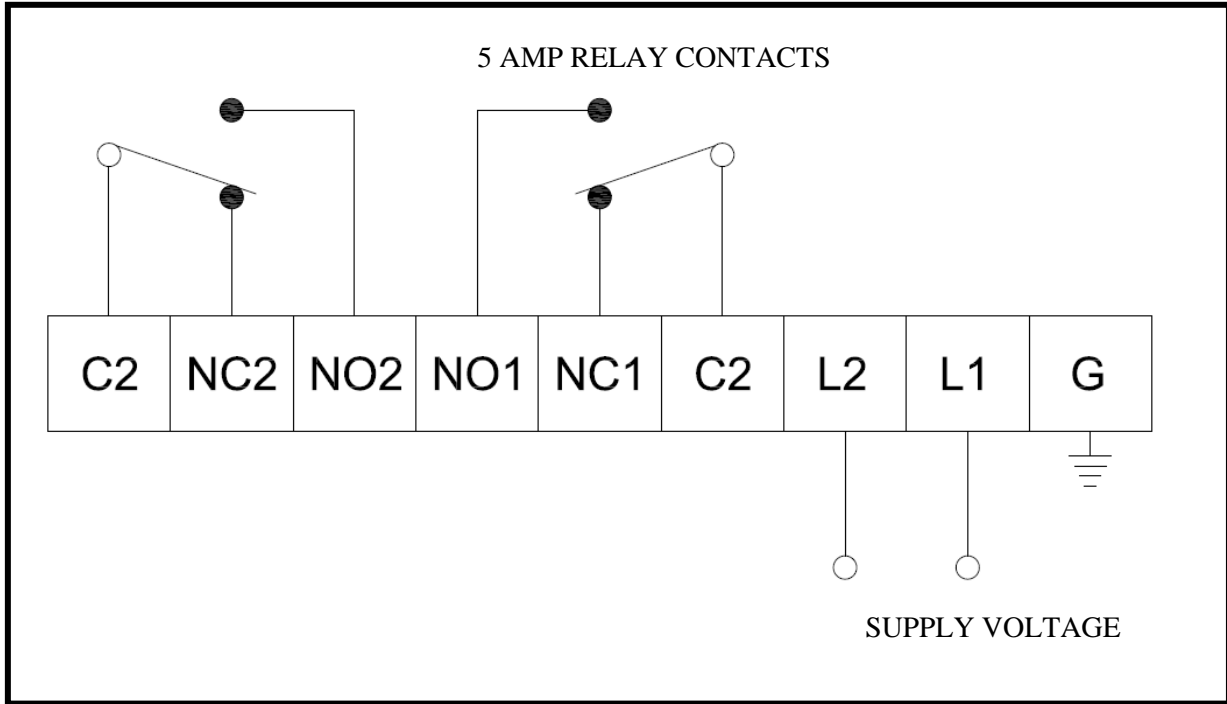
3.4 Removing the Electronics

- To remove the sensing card, simply unplug it from the power supply card. When reinstalling, this card is made so that it cannot be plugged in backwards.
- To remove the power supply card you must:
 - Disconnect supply power at main power source.
 - Remove sensing card.
 - Disconnect wires from terminal strip.
 - Remove green grounding screw.
 - Unplug blue antenna lead.
 - Hold the top of the card guide and lift out

To reinstall, reverse the above procedure.

3.5 Typical Applications and Wiring Diagrams

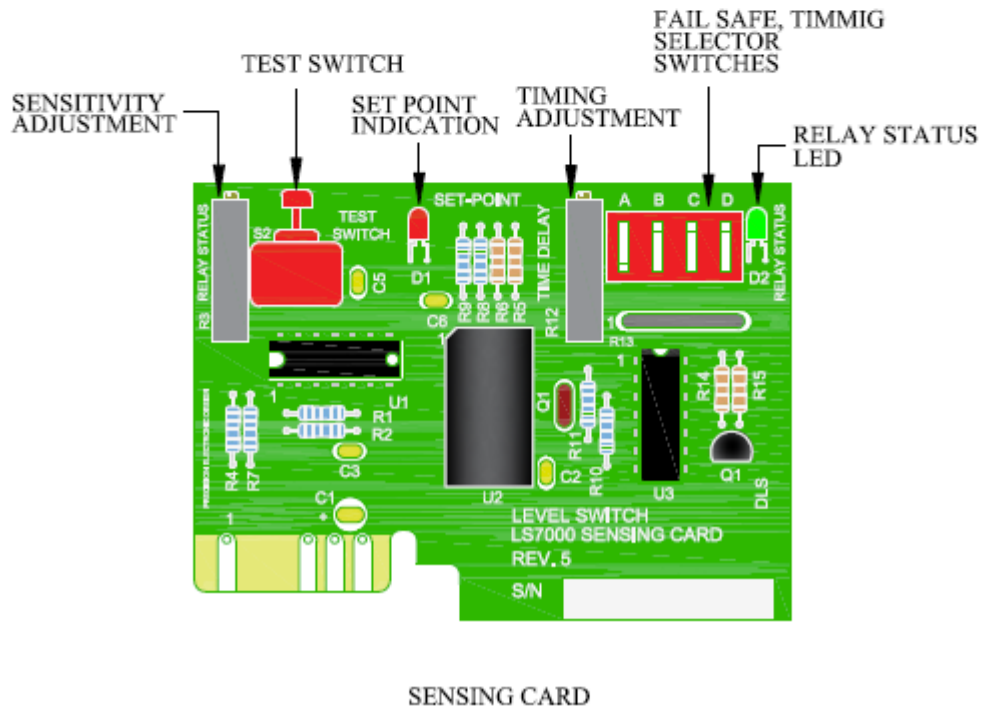
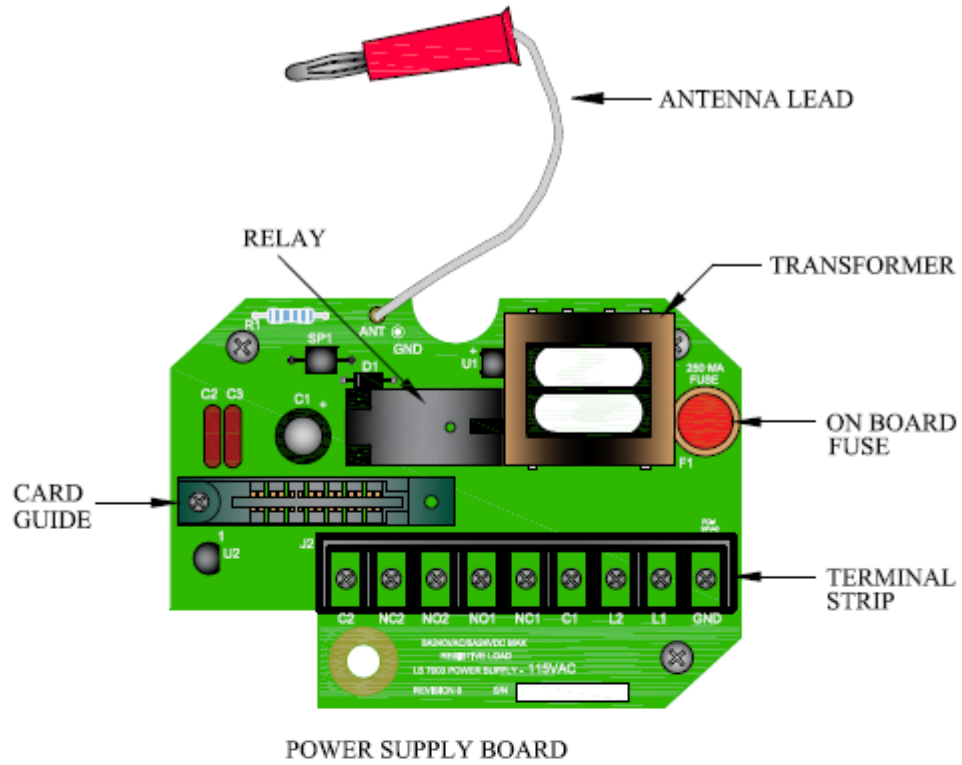
LS7000 TERMINAL LAYOUT



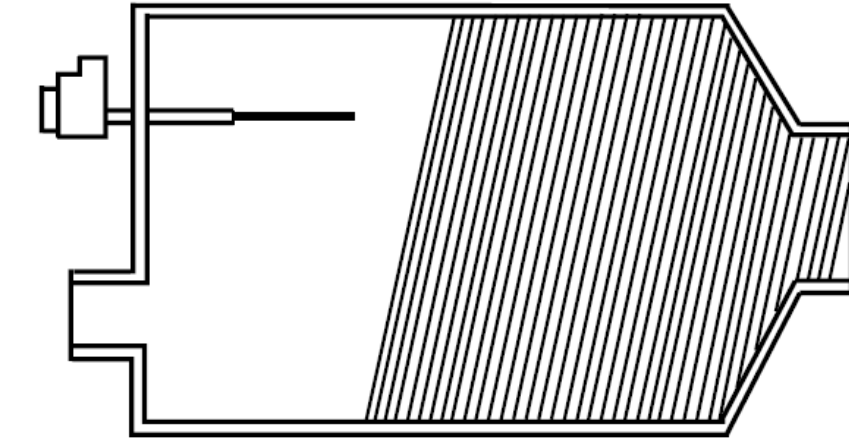
***NOTE:** EACH LS7000 POWER SUPPLY IS INTENDED FOR ONLY ONE SUPPLY VOLTAGE. THIS VOLTAGE IS PRINTED ON THE POWER SUPPLY BOARD.

FOR 115 VAC OR 230 VAC UNITS, HOOK UP THE HOT LEAD TO L1 AND THE NEUTRAL TO L2, WITH APPROPRIATE GROUND.

FOR 12 VDC OR 24 VDC UNITS, HOOK THE POSITIVE VOLTAGE TO L1 AND THE COMMON OR GROUND TO L2.



APPLICATION
HIGH LEVEL ALARM



TYPICAL WIRING

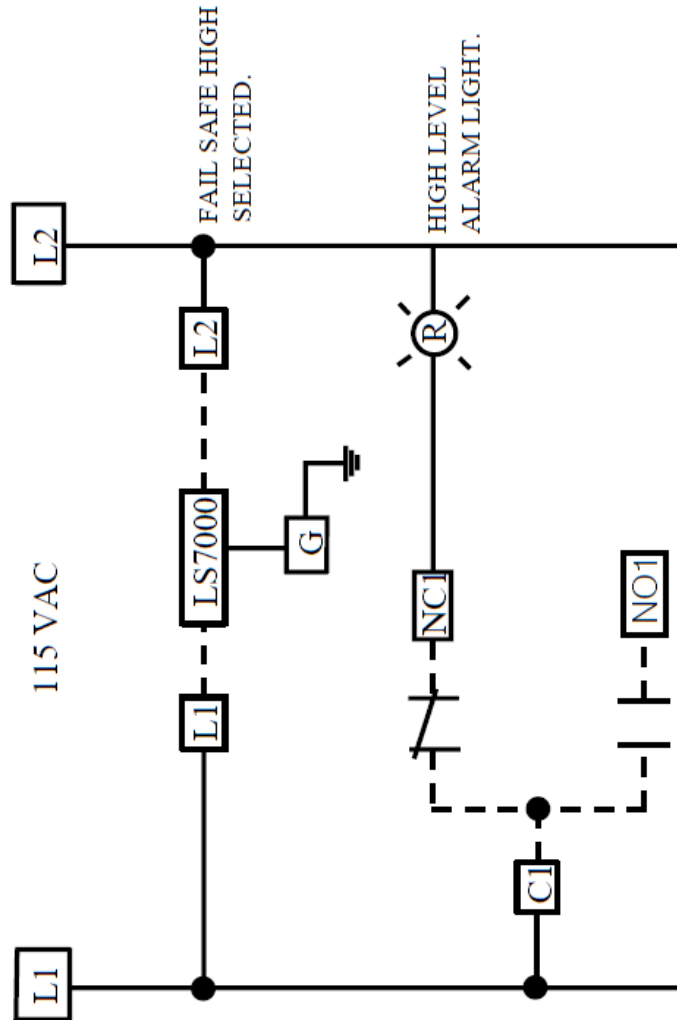
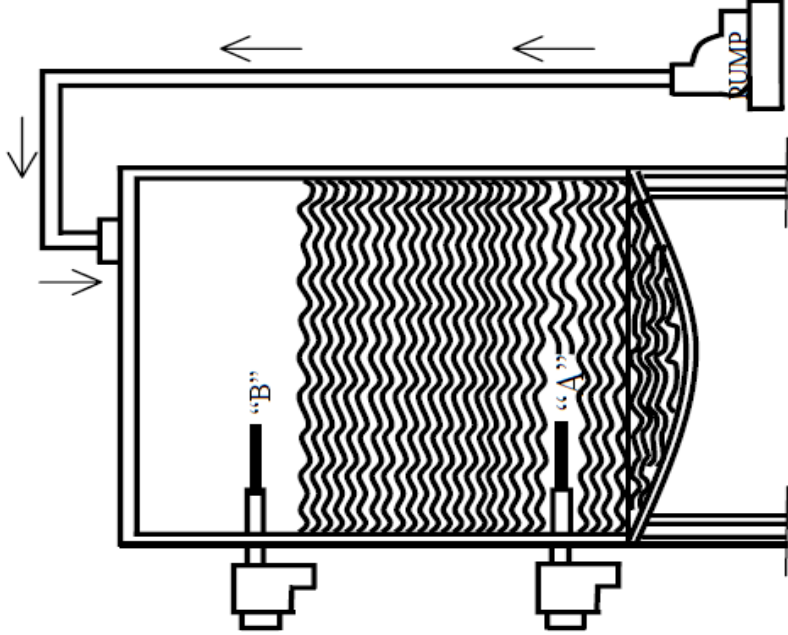


FIGURE 7.4

APPLICATION

AUTOMATIC FILLING OF TANK.
(WHEN LEVEL FALLS TO POINT "A",
A PUMP COMES ON TO FILL TO
POINT "B", THEN TURNS OFF.)



TYPICAL WIRING

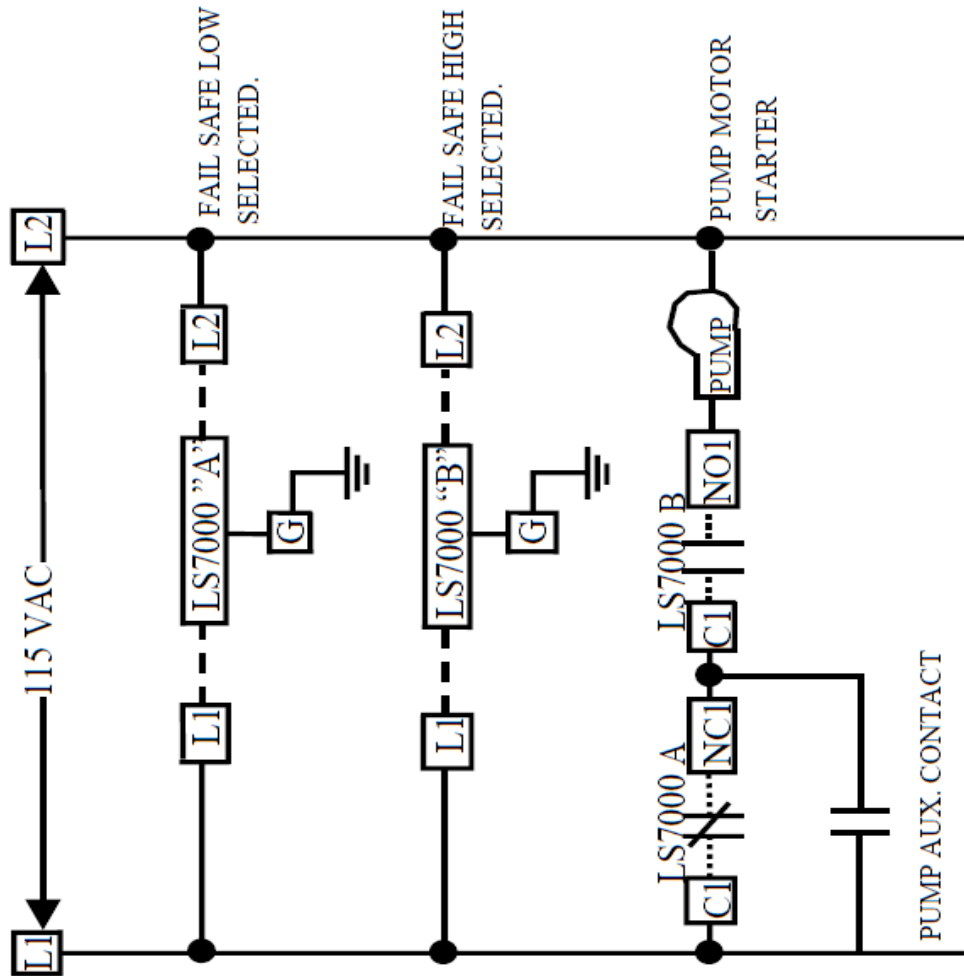
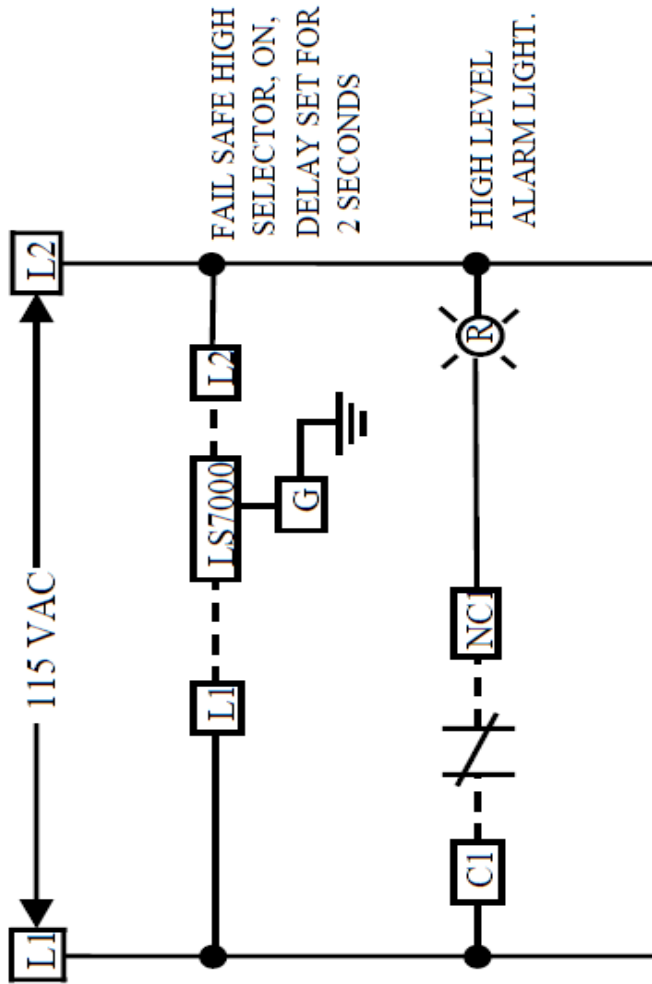


FIGURE 7.5

TYPICAL WIRING



FAIL SAFE HIGH
SELECTOR, ON,
DELAY SET FOR
2 SECONDS

HIGH LEVEL
ALARM LIGHT.

WHEN THE FLUID REACHES POINT "A",
IT MUST REMAIN THERE FOR 2 SECONDS
BEFORE THE INDICATOR LAMP WILL
COME ON.

NOTE: PLEASE REVIEW FAIL SAFE
SELECTION INSTRUCTIONS,
SECTION IV B.

APPLICATION

HIGH LEVEL ALARM USING
THE TIME DELAY TO IGNORE
SPLASHING OR WAVE ACTION.
(TIME ON, INSTANT OFF)

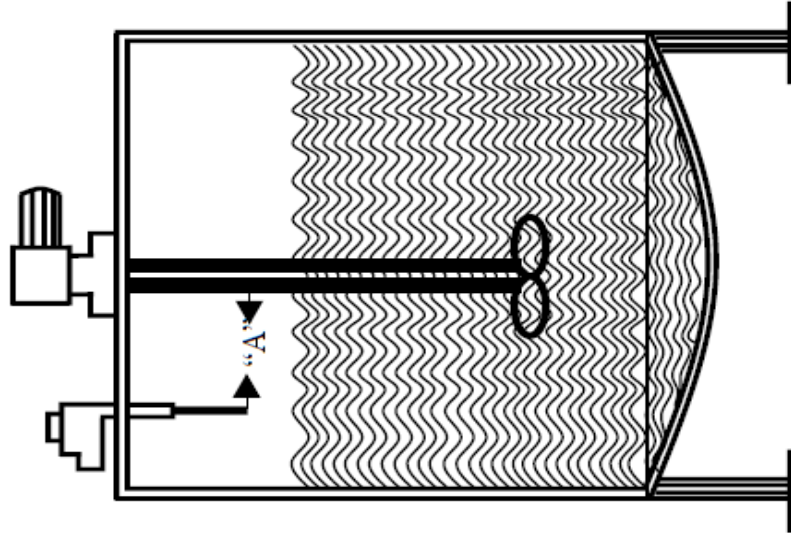
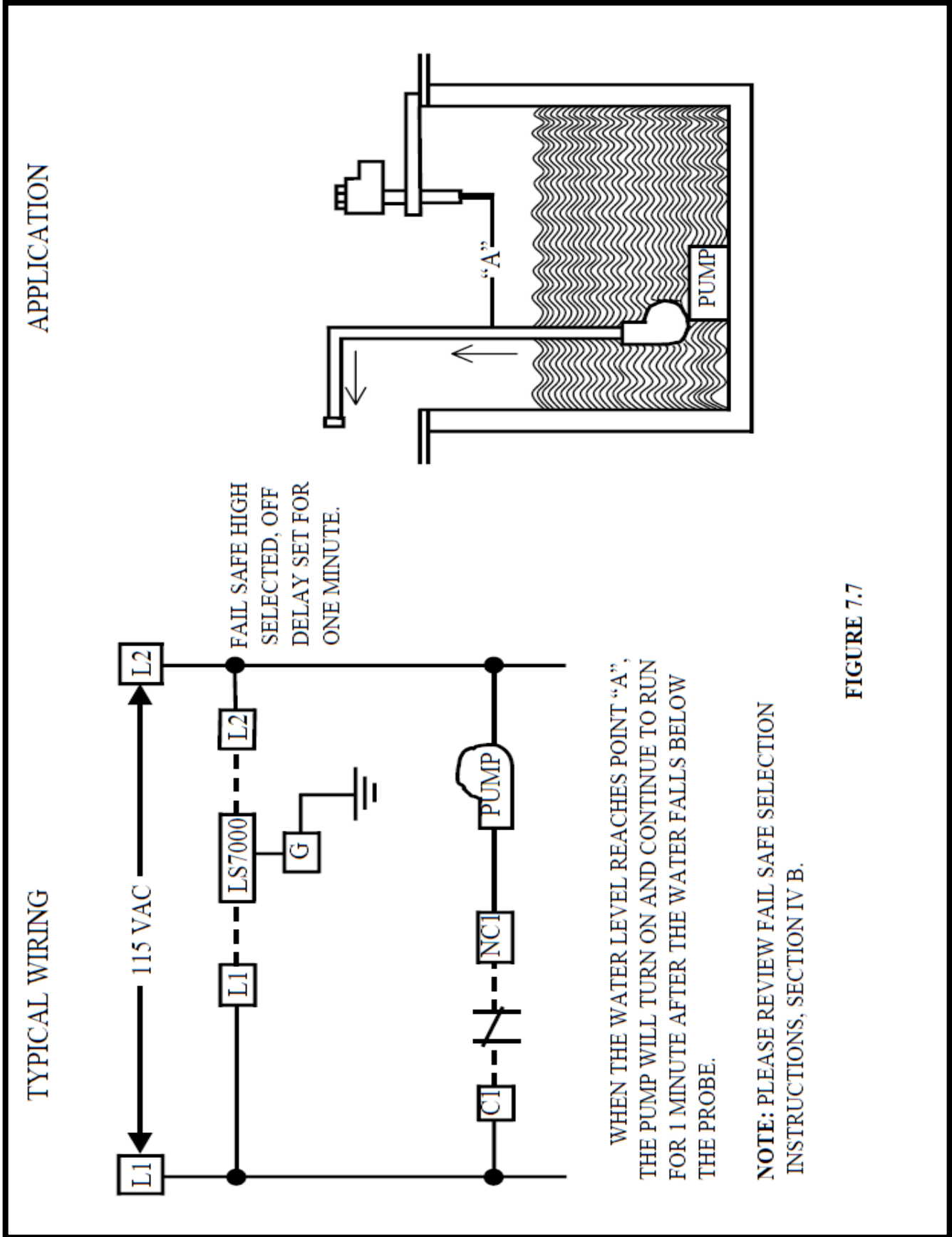
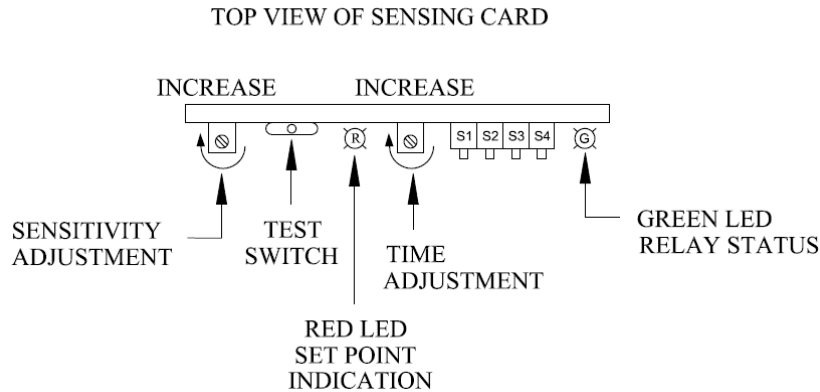


FIGURE 7.6



4. CALIBRATION

PLEASE READ THE ENTIRE CALIBRATION PROCEDURE BEFORE CALIBRATING THE LS7000.



4.1 Time Delay

The time delay is adjustable between 1/8 second to 2 hours. If no time delay is required, turn the time adjustment pot completely CCW and set S1 down, S2 up. The potentiometer has 20 turns and freewheels at the end of its travel without damage. You may hear “clicks” at the end of travel.

4.2 Setting the Time Delay

- 1) Setting the timing mode, either on delay or off delay is done by positioning S3 and S4 as shown in the chart below.

NOTE: S3 and S4 also select fail safe high level (FSH) or fail safe low level (FSL).

- 2) Select the timing range using S1 and S2 as shown on the chart below – next page.
- 3) Adjust the time adjustment potentiometer clockwise to increase time or CCW to decrease until the exact time delay is arrived at. The test switch may be depressed to start the timing when checking timing sequence.

NOTE: For long timing ranges you can set the timer for a shorter range, then change the range Switches (S1 and S2) to increase the time. For example, the desired time delay is 15 minutes. This is equal to 900 seconds. By setting S1 down and S2 up and adjusting the timer to approximately 28 seconds, the ratio on this range is 1. To increase this range by 32, move S1 up and S2 up. 32x28 seconds equals approximately 15 minutes.

4.3 Fail Safe Selection

The failsafe feature provides a “false alarm” in case of power outage or major component failures. When properly selected, the failsafe feature can protect equipment or alert you of a unit failure.

Fail Safe High (FSH) means that the relay is energized when NO PRODUCT is touching the sensing element. The green led indicates relay status and is on when the relay is energized. When product comes into contact with the probe, the relay is de-energized.

Fail Safe Low (FSL) means that the relay is energized when PRODUCT IS touching the probe.

NOTE: Due to the wide variety of applications and possible control or alarm functions, the proper fail safe selection will depend on your circumstances. Please call your distributor or the factory if you need assistance.

TIMING RANGE

S1	S2	TIME	RATIO
DN	UP	1/8 sec - 35 sec	1
UP	DN	1/2 sec - 140 sec	4
UP	UP	4 sec - 18 min	32
DN	DN	32 sec - 2 hrs	260

FAILSAFE TIMER MODE

S3	S4		
UP	UP	ON	FSL
DN	UP	DELAY	FSH
DN	DN	OFF	FSL
UP	DN	DELAY	FSH

4.4 Sensitivity Calibration

The LS7000 should be calibrated when no material is touching the probe, when the unit is installed where it will be used.

1. Observe the Red LED. If it is on, go to Step 3
2. If the Red LED is off, turn the sensitivity adjustment potentiometer clockwise (CW) until it comes on.
3. Turn the sensitivity adjustment pot counter-clockwise (CCW) until the Red LED just goes out. This sets the unit to its maximum sensitivity. If in your application this is too sensitive, you can turn the sensitivity adjustment pot further CCW; usually ¼ to ½ turn is sufficient to reduce the units sensitivity. Always bring the product into contact with the probe after calibration to assure proper performance.

NOTE: The green LED indicates relay status. The relay is energized when the green LED is on.

SPECIAL CALIBRATION NOTES:

For some products, the LS7000 can be calibrated with product touching the probe. To do this, turn the sensitivity adjustment pot CW until the Red LED just comes on and continue CW for 1/8 to ¼ of a turn. Always check to see if unit resets in the absence of product.

5. MAINTENANCE AND TROUBLESHOOTING

No routine maintenance is required other than keeping the interior of the unit clean and free of dirt, dust and other contaminants. The LS7000 consists of two main sub-assemblies. These are the enclosure with the probe assembly and the power supply board. The following troubleshooting guide will assist in determining how to correct most of the problems which may occur in the field. Review the Installation and Calibration procedures in sections 3 & 4.

PROBLEM	POSSIBLE CAUSE	SOLUTION
RED LIGHT cannot be adjusted to turn on.	<p>Antenna lead not connected.</p> <p>No power to unit.</p> <p>Blown on-board fuse.</p> <p>Bad sensing card.</p>	<p>Plug antenna lead into probe.</p> <p>Check for correct power to unit.</p> <p>Replace fuse.</p> <p>Repair or replace card.</p>
RED LIGHT remains on at all times	<p>Antenna probe is shorted to case or ground.</p> <p>Bad sensing card.</p>	<p>Unplug banana plug and position it so that the bare end is not touching anything. Turn calibration pot 20 turns CCW. LED should go out. If it does, repair, replace or clean antenna probe. If LED does not go out, replace electronics.</p> <p>Repair or replace card.</p>
Unit triggers when material touches probe, but will not reset when material recedes from probe or unit gives false alarm.	<p>Improper mount of probe.</p> <p>Improper calibration procedure.</p> <p>Excessive material build-up on probe.</p> <p>Probe is mounted in flow material.</p>	<p>Contact factory or distributor.</p> <p>See Section 4.4</p> <p>Perform “dirty probe” calibration; <u>recalibrate with buildup material</u> on probe – see section 4.4</p> <p>Revise mounting or use time delay</p>
Unit will not detect material.	<p>Improper calibration.</p> <p>Antenna lead not plugged into probe.</p> <p>Unit was calibrated with material touching probe.</p>	<p>See calibration instructions section 4.</p> <p>Plug antenna lead into probe.</p> <p>Be sure material is not touching probe and recalibrate.</p>
Unit will not stay in calibration.	<p>Poor grounding of unit to vessel.</p>	<p>Provide secure grounding connection.</p>
Relay operates properly, but no signal at terminals.	<p>Burned or broken lands on the printed circuit board.</p> <p>Bad relay contacts.</p>	<p>Turn off power. Remove module from housing and inspect lands on printed circuit for damage. Replace if necessary.</p> <p>Replace relay or return for repair.</p>

PLEASE CONTACT THE FACTORY OR YOUR DISTRIBUTOR IF YOU HAVE ANY QUESTIONS OR NEED ASSISTANCE.

Customer Service: 1-800-835-8012 or 713-467-4438 (8:00 a.m. to 5:00 p.m. CST US)

6. WARRANTY

All components of the LS7000 are warranted to be free from defects in material and workmanship for a period of two years from the date of purchase. This warranty applies to general purchaser and to components installed, serviced and operated according to instructions.

Babbitt International, Inc. will repair or replace, at its option, FOB at its plant or any other location designated, any part which proves to be defective in manufacture or workmanship.

All claims must be made in writing within the warranty period. No claims outside of the warranty period will be honored.

Warranties are not applied to any components which have been damaged by improper installation, use, exposure to unusual atmospheric conditions or components which have been misused, abused, damaged by neglect or accident. This warranty shall not apply to any components which have been altered or repaired without the prior written consent of Babbitt International, Inc.

Babbitt International, Inc. assumes no responsibility or liability for any labor or material back charges, without written authorization. Any products returned must be with prior written authorization.

THE FOREGOING IS IN LIEU OF ALL OTHER WARRANTIES, EXPRESSED OR IMPLIED, INCLUDING ANY WARRANTIES OF MERCHANTABILITY AND/OR FOR FITNESS FOR PARTICULAR PURPOSE, AND BABBITT INTERNATIONAL, INC. ASSUMES NO OTHER LIABILITIES EXPRESSED OR IMPLIED. BABBITT INTERNATIONAL, INC. SHALL NOT BE LIABLE FOR NORMAL WEAR AND TEAR, NOR FOR DIRECT, INCIDENTAL OR CONSEQUENTIAL DAMAGES. IN NO EVENT SHALL BABBITT INTERNATIONAL INCORPORATED'S LIABILITY EXCEED THE PRICE OF ITS PRODUCT AT THE TIME OF PURCHASE