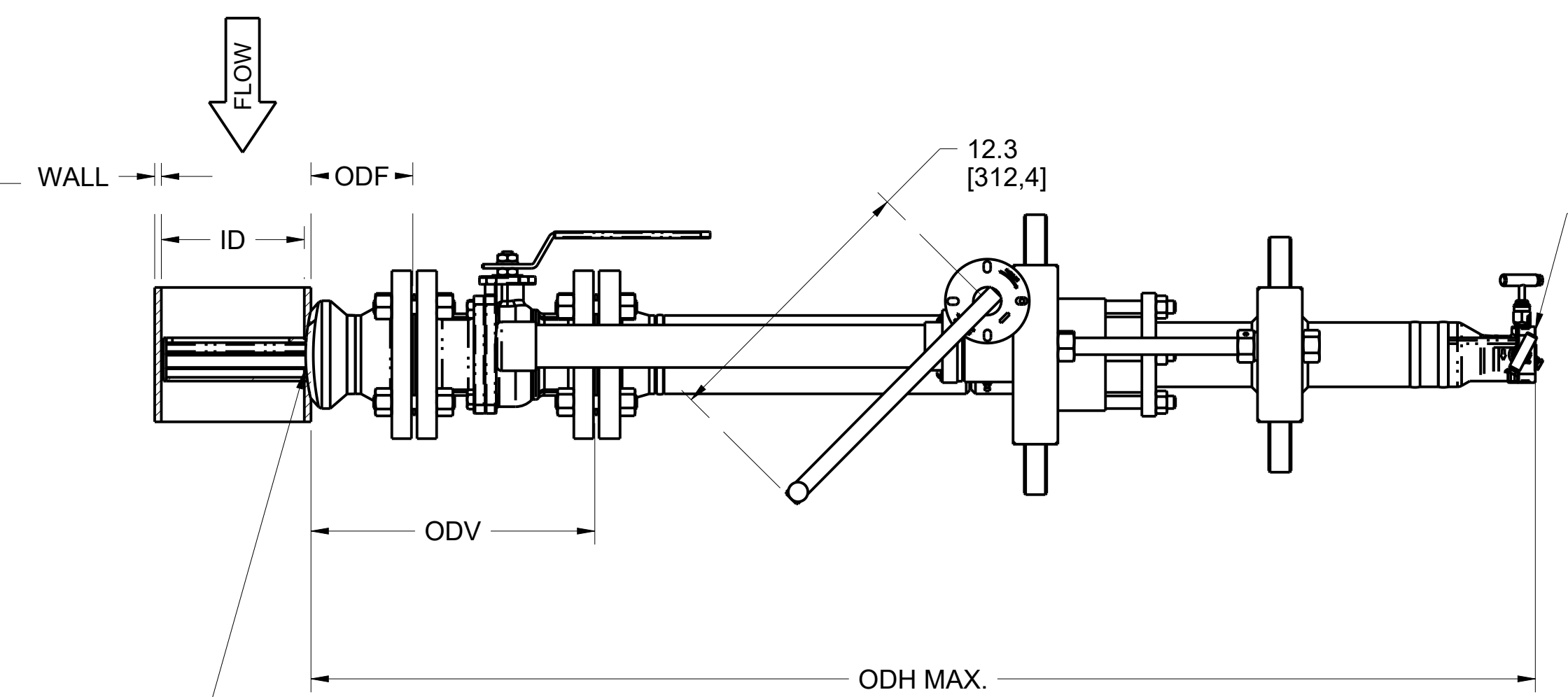
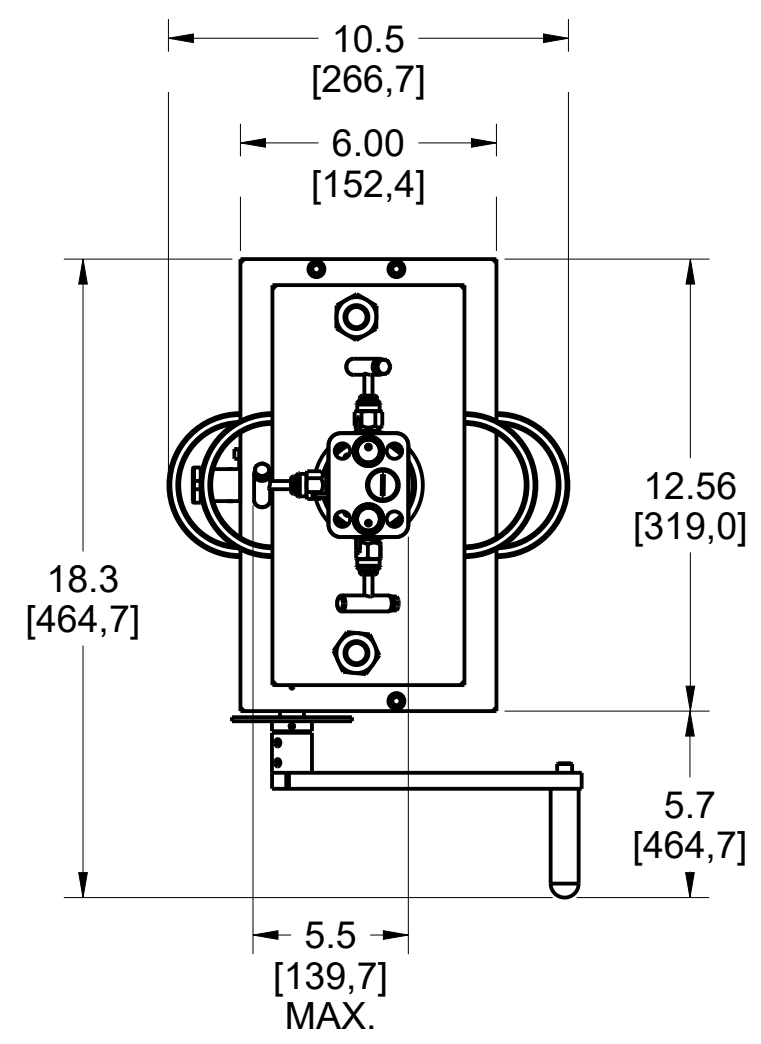
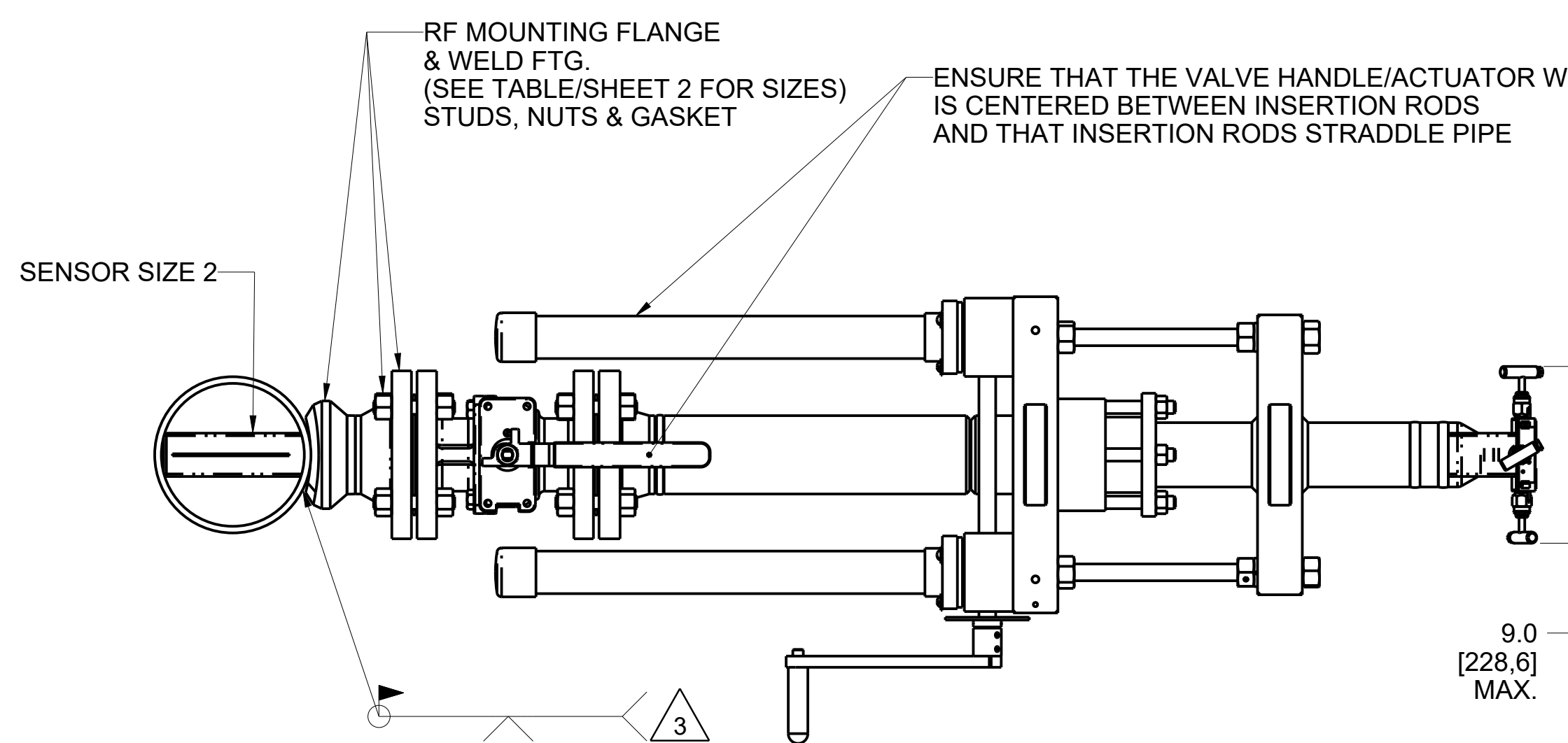
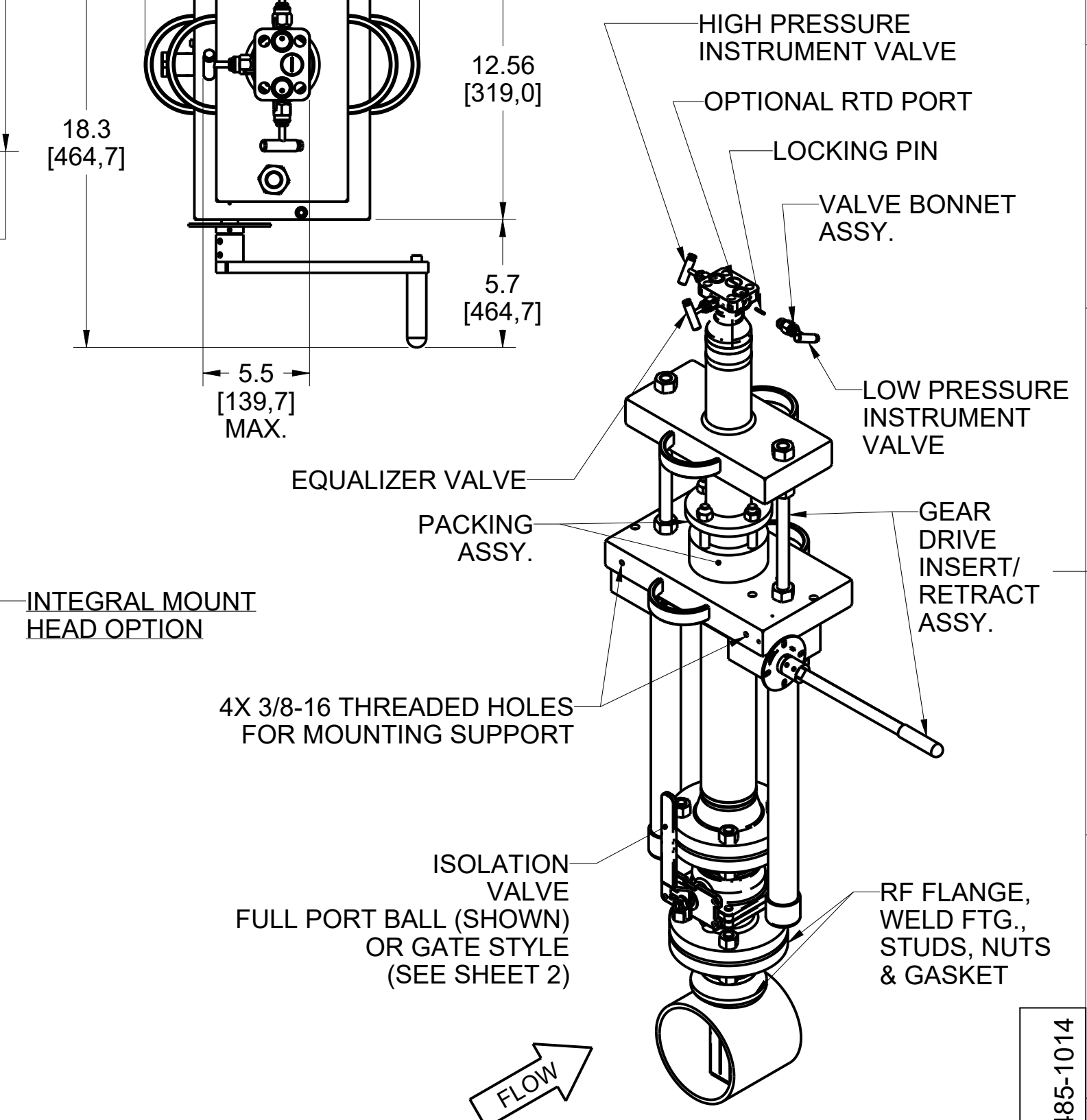


REVISION TABLE			
REVISION	ECO NO.	APP'D	DATE
AF	DS11053064	JR	10/15/15
DESCRIPTION			
REDRAWN IN PROE			



PROBE INSERTED: PI  
 FORMULA FOR 'PI' = ID + WALL + ODV + 24.44 [620,8] FLANGED/GEAR DRIVE  
 PROBE RETRACTED: PR  
 FORMULA FOR 'PR' = 2x (ID + WALL + ODV) + 24.44 [620,8] FLANGED/GEAR DRIVE  
 (SEE SHT 4 FOR MANUAL STYLE/SHEET 5 FOR THREADED GEAR DRIVE)

**CAUTION**  
 FOR ACCURATE FLOW MEASUREMENT  
 THE CORRECT HOLE SIZE IN PIPE MUST BE  
**1-5/16 INCH(34mm)**  
 DO NOT DRILL OVERSIZE  
 DO NOT TORCH CUT HOLE



FLOW

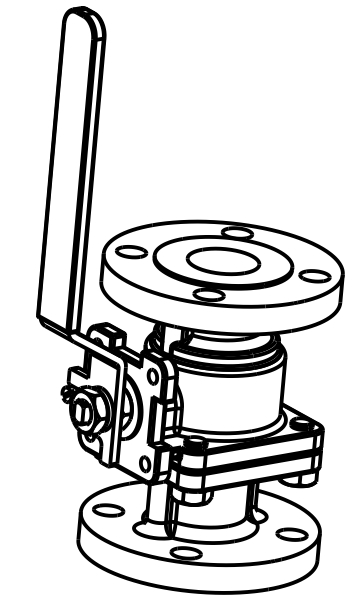
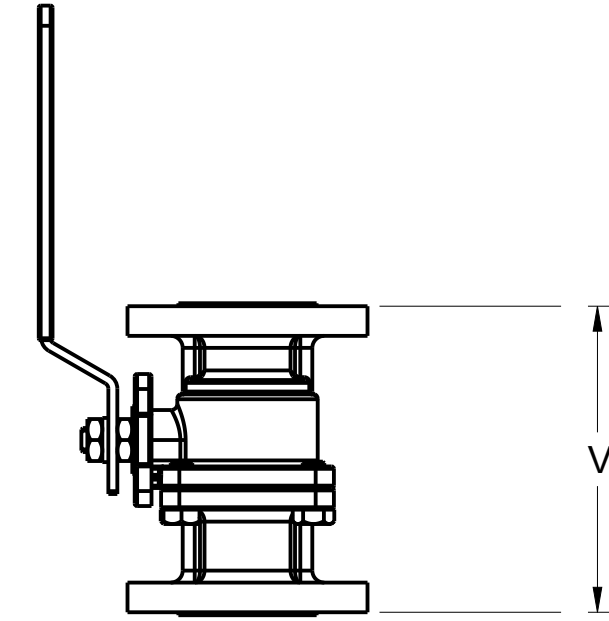
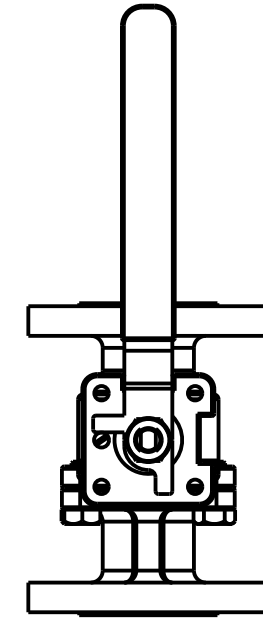
FLANGED / GEAR DRIVE FLO-TAP  
 SENSOR SIZE 2

SEE SHEET 4 FOR MANUAL / FLO-TAP WITH GATE VALVE EXAMPLE  
 SEE SHEET 5 FOR THREADED / FLO-TAP

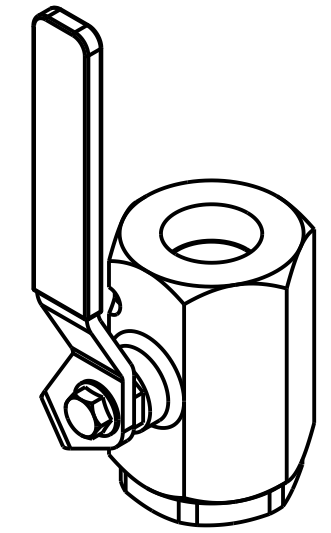
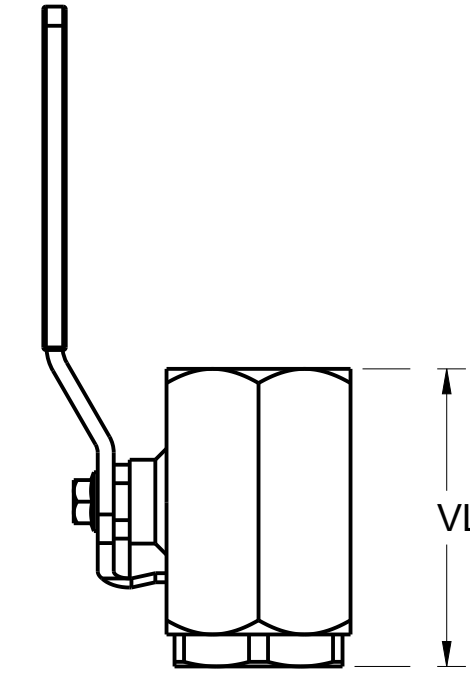
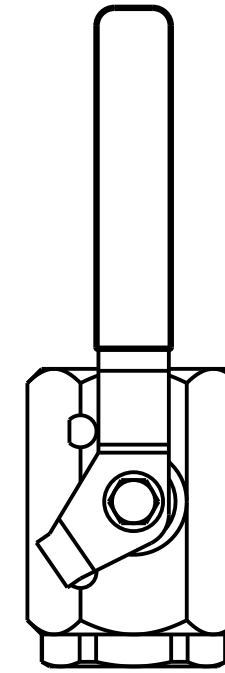
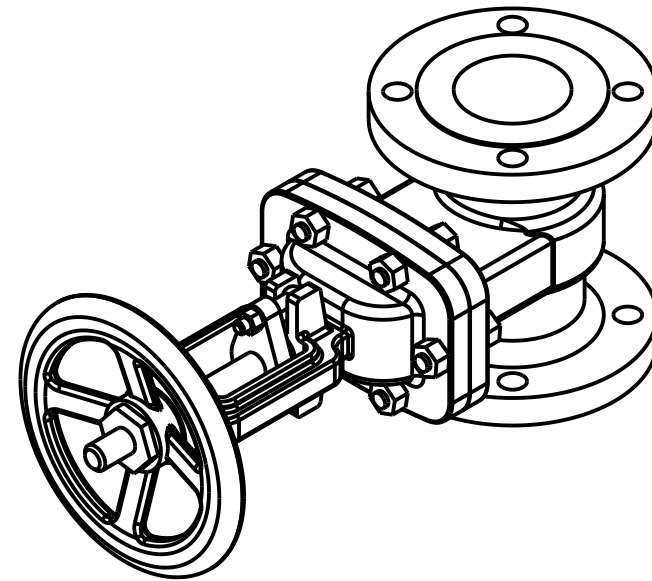
CONFIDENTIAL AND PROPRIETARY INFORMATION IS CONTAINED HEREIN AND MUST BE HANDLED ACCORDINGLY. ROSEMOUNT	SURFACE FINISH UNLESS OTHERWISE SPECIFIED	125	3RD ANGLE		SIZE C	SCALE 1/6	REV AF
UNLESS OTHERWISE SPECIFIED DIMENSIONS IN INCHES [mm]. REMOVE ALL BURRS AND SHARP EDGES.	<b>EMERSON</b> Market Boulevard - Chanhassen, MN 55317 USA						
-DEC TOLERANCES- .X ± .1 [2,5] .XX ± .02 [0,5] .XXX ± .010 [0,25]	TITLE DIMENSION DRAWING, MODEL 485 ANNUBAR FLOWMETER (3051SFA, 3051CFA 2051CFA, 3095MFA) SENSOR SIZE 2 FLO-TAP 150#-600# ANSI						
FRACTIONS ± 1/32	ANGLES ± 2'	DR. SGE	07/13/15	DRAWING NO.	00485-1014		
APPD JR	07/13/15						
DO NOT SCALE PRINT	CAD MAINTAINED, (PRO/E)	PRODUCT CODE	-	DOC TYPE	-	SHEET 1 OF 5	

DRAWING NO. 00485-1014

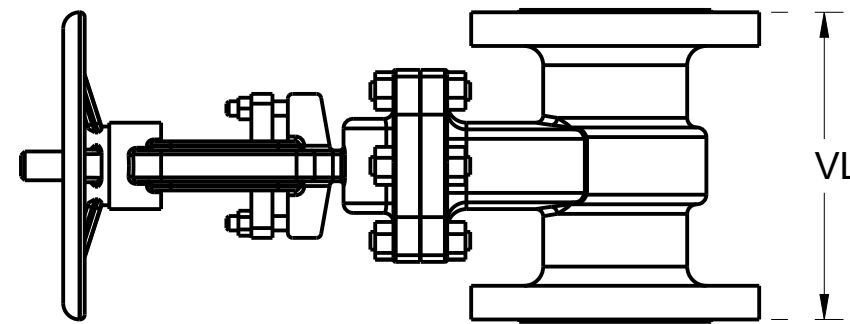
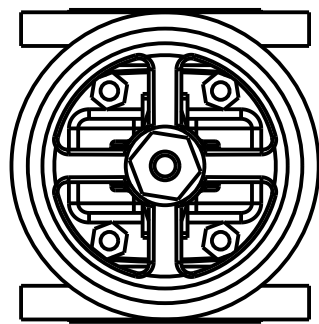
FLO-TAP SENSOR SIZE 2								
A	Min. Rod Reynolds	Probe Width	Flange Rating	Flange Size [NPS] OR Thread Size	ODF	ALL FLO-TAP		
						FLANGE VL ±.375 [9.5] BALL / GATE	ODV ±.500 [12.7]	
B	12500	1.060 [26.92]	Threaded	2" NPT	N/A	6.00 [152.4]	8.17 [207.5]	
			150# ANSI	2sch80	4.13 [104.9]	7.00 [177.8]	11.25 [285.8]	
			300# ANSI		4.38 [111.3]	8.50 [215.9]	13.00 [330.2]	
			600# ANSI		4.75 [120.7]	11.50 [292.1]	16.38 [416.0]	
			DN/PN 16	DN50	3.40 [86.4]	APPLICATION SPECIFIC DIMENSION		
			DN/PN 40		3.52 [89.4]			
			DN/PN 100		4.30 [109.2]			
			150# RTJ	2sch80	4.31 [109.5]			
			300# RTJ	4.63 [117.6]	8.50 [215.9]	13.25 [336.4]		
			600# RTJ	4.81 [122.2]	11.50 [292.1]	16.44 [417.5]		



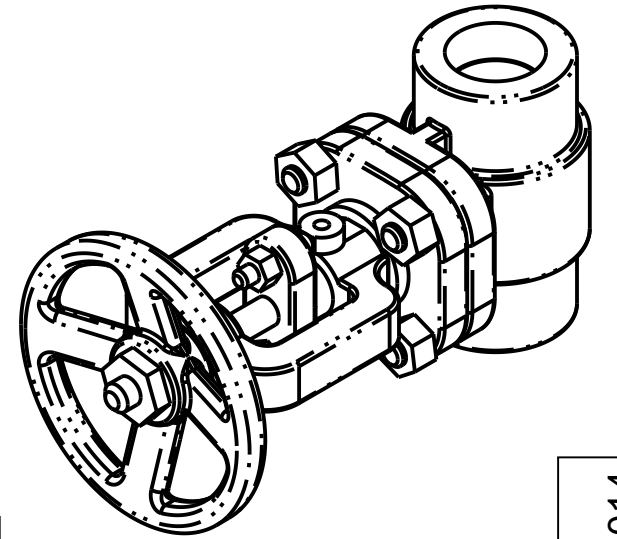
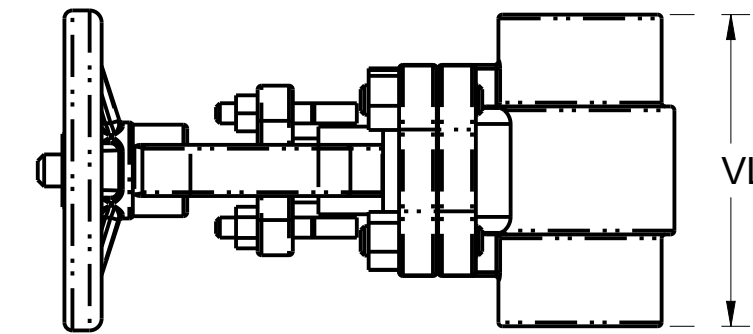
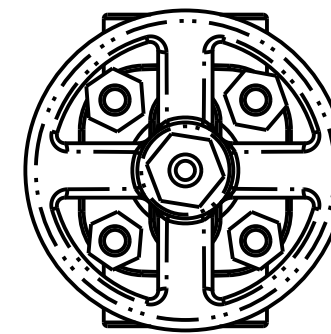
FULL PORT BALL VALVE / FLANGED



FULL PORT GATE VALVE / THREADED



FULL PORT GATE VALVE / FLANGED



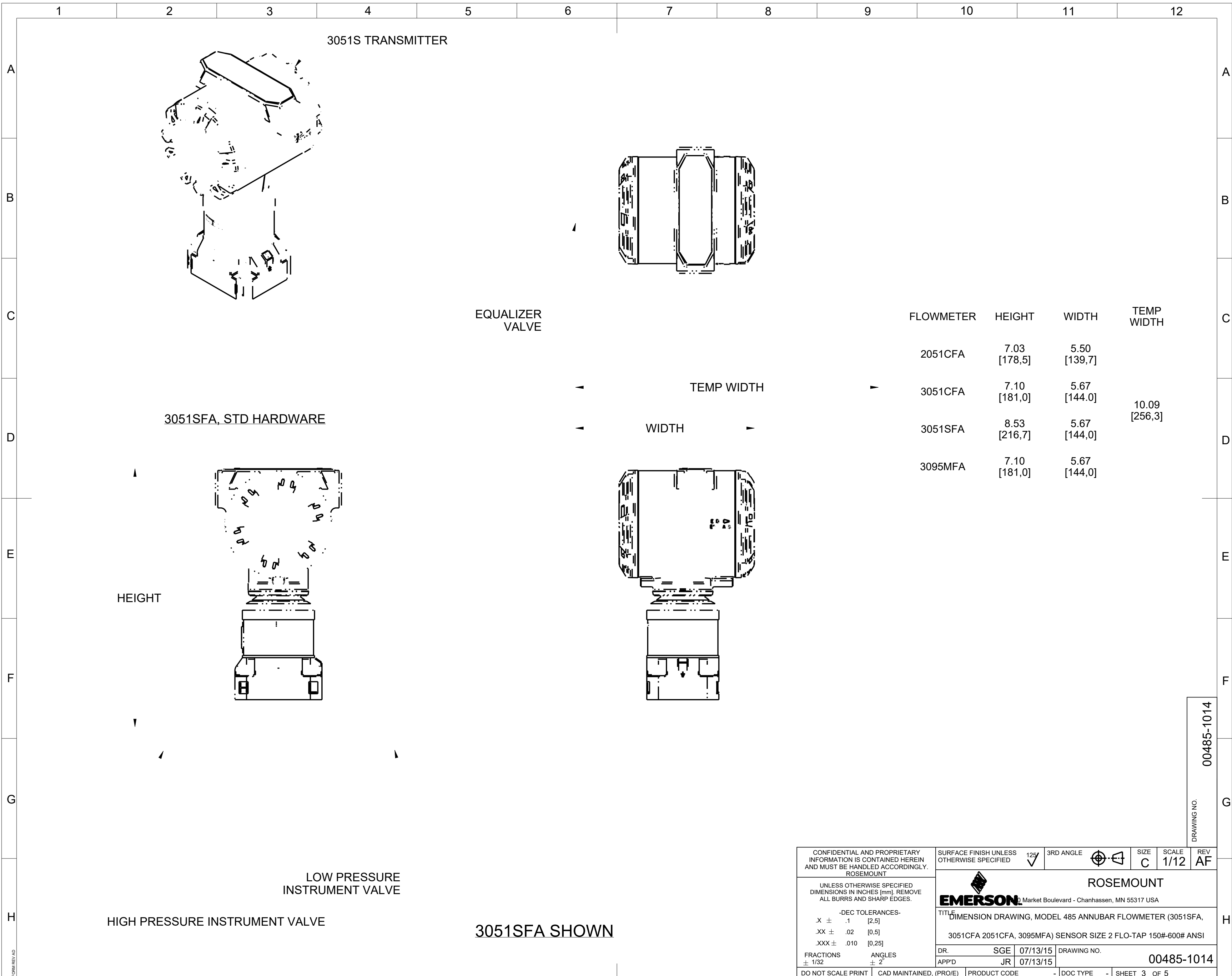
FULL PORT GATE VALVE / THREADED

NOTES:

- ROSEMOUNT INC. CERTIFIES THIS DRAWING IS IN ACCORDANCE WITH ROSEMOUNT ENGINEERING SPECIFICATIONS AND ACCURATELY REPRESENTS THE EQUIPMENT FURNISHED.
- ALL ORIENTATIONS SHOWN FOR REFERENCE ONLY. FOR ACTUAL RECOMMENDED LOCATIONS AND ORIENTATIONS REFER TO INSTALLATION INSTRUCTION MANUAL 00809-0100-4809. QUICK INSTALLATION GUIDE (QIG) 00825-0500-4809 (THREADED FLO-TAP) OR 00825-0400-4809 (FLANGED FLO-TAP).
- FIELD WELD. REFER TO INSTALLATION INSTRUCTIONS FOR WELD REQUIREMENTS.
- MAXIMUM PRESSURE: 600lb ANSI EQUIVALENT (1440 PSIG AT 100° F/9928.5Kpa g at 37.8C) FOR 316SS.
- MAX TEMPERATURE: 500° F (260C) FOR INTEGRAL TRANSMITTER MOUNTING  
850° F (454.4C) FOR STAINLESS STEEL REMOTE TRANSMITTER MOUNTING  
850° F (454.4C) FOR HASTELLOY REMOTE TRANSMITTER MOUNTING
- FOR MODEL SELECTIONS, REFER TO ROSEMOUNT PRODUCT DATA SHEETS.

CONFIDENTIAL AND PROPRIETARY INFORMATION IS CONTAINED HEREIN AND MUST BE HANDLED ACCORDINGLY. ROSEMOUNT	SURFACE FINISH UNLESS OTHERWISE SPECIFIED	125	3RD ANGLE		SIZE C	SCALE 1/12	REV AF
UNLESS OTHERWISE SPECIFIED DIMENSIONS IN INCHES [mm]. REMOVE ALL BURRS AND SHARP EDGES.	<b>EMERSON</b> ROSEMOUNT Market Boulevard - Chanhassen, MN 55317 USA						
-DEC TOLERANCES- .X ± .1 [2.5] .XX ± .02 [0.5] .XXX ± .010 [0.25]	TITL DIMENSION DRAWING, MODEL 485 ANNUBAR FLOWMETER (3051SFA, 3051CFA 2051CFA, 3095MFA) SENSOR SIZE 2 FLO-TAP 150#-600# ANSI						
FRACTIONS ± 1/32	ANGLES ± 2°	DR. SGE	07/13/15	DRAWING NO.	00485-1014		
APP'D JR	07/13/15						
DO NOT SCALE PRINT	CAD MAINTAINED, (PRO/E)	PRODUCT CODE	-	DOC TYPE	-	SHEET 2 OF 5	

DRAWING NO. 00485-1014



3051S TRANSMITTER

EQUALIZER VALVE

3051SFA, STD HARDWARE

HEIGHT

LOW PRESSURE INSTRUMENT VALVE

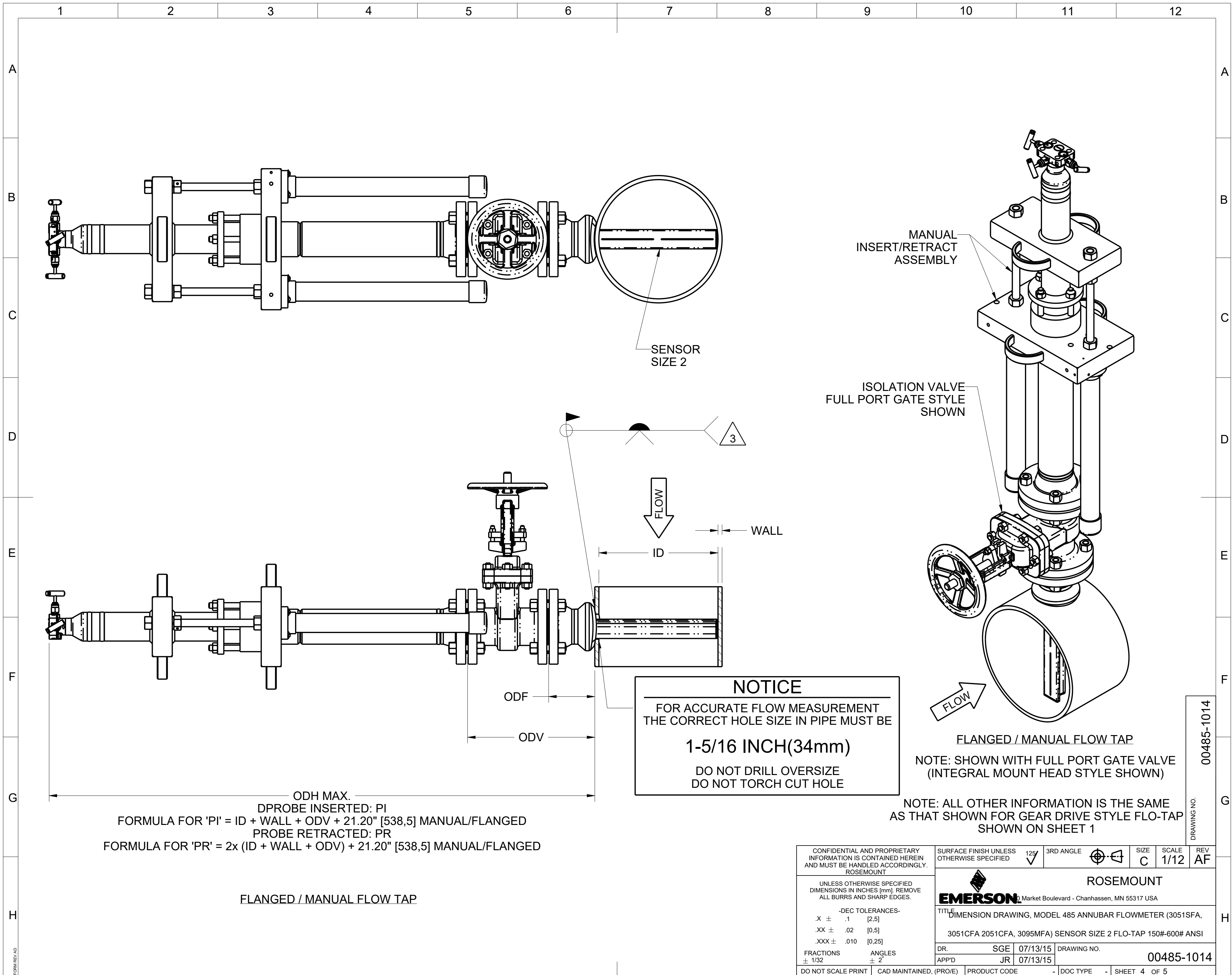
HIGH PRESSURE INSTRUMENT VALVE

3051SFA SHOWN

FLOWMETER	HEIGHT	WIDTH	TEMP WIDTH
2051CFA	7.03 [178,5]	5.50 [139,7]	
3051CFA	7.10 [181,0]	5.67 [144,0]	10.09 [256,3]
3051SFA	8.53 [216,7]	5.67 [144,0]	
3095MFA	7.10 [181,0]	5.67 [144,0]	

DRAWING NO. 00485-1014

CONFIDENTIAL AND PROPRIETARY INFORMATION IS CONTAINED HEREIN AND MUST BE HANDLED ACCORDINGLY. ROSEMOUNT		SURFACE FINISH UNLESS OTHERWISE SPECIFIED		125	3RD ANGLE	SIZE C	SCALE 1/12	REV AF
UNLESS OTHERWISE SPECIFIED DIMENSIONS IN INCHES [mm]. REMOVE ALL BURRS AND SHARP EDGES.		<b>EMERSON</b> ROSEMOUNT 20 Market Boulevard - Chanhassen, MN 55317 USA						
-DEC TOLERANCES-		TITLE DIMENSION DRAWING, MODEL 485 ANNUBAR FLOWMETER (3051SFA, 3051CFA 2051CFA, 3095MFA) SENSOR SIZE 2 FLO-TAP 150#-600# ANSI						
.X ± .1 [2,5]		DR. SGE		07/13/15	DRAWING NO. 00485-1014			
.XX ± .02 [0,5]		APP'D JR		07/13/15				
.XXX ± .010 [0,25]		FRACTIONS ± 1/32		ANGLES ± 2°				
DO NOT SCALE PRINT		CAD MAINTAINED, (PRO/E)		PRODUCT CODE	DOC TYPE	SHEET 3 OF 5		



**NOTICE**  
 FOR ACCURATE FLOW MEASUREMENT  
 THE CORRECT HOLE SIZE IN PIPE MUST BE  
**1-5/16 INCH(34mm)**  
 DO NOT DRILL OVERSIZE  
 DO NOT TORCH CUT HOLE

**FLANGED / MANUAL FLOW TAP**  
 NOTE: SHOWN WITH FULL PORT GATE VALVE  
 (INTEGRAL MOUNT HEAD STYLE SHOWN)

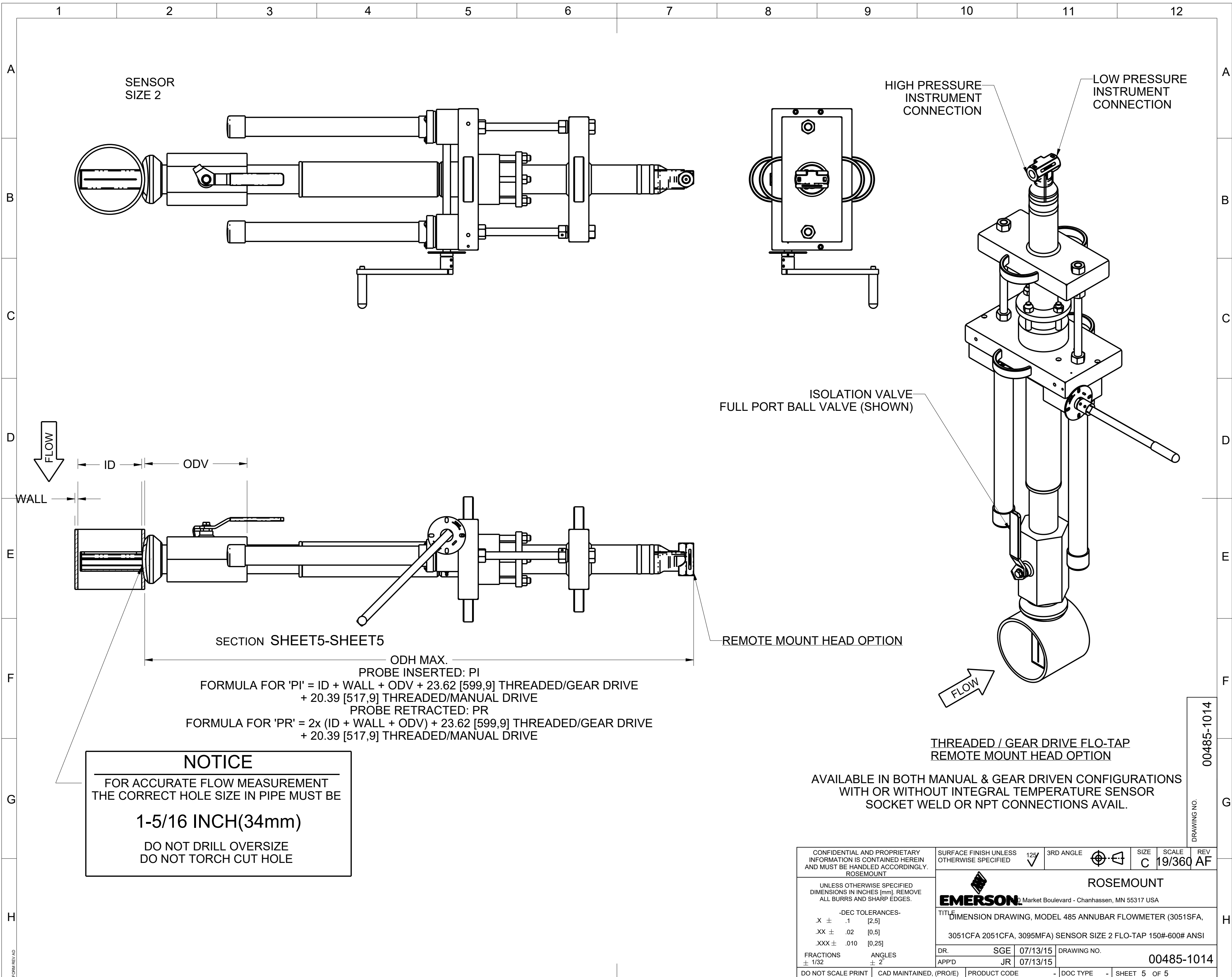
NOTE: ALL OTHER INFORMATION IS THE SAME  
 AS THAT SHOWN FOR GEAR DRIVE STYLE FLO-TAP  
 SHOWN ON SHEET 1

ODH MAX.  
 DPROBE INSERTED: PI  
 FORMULA FOR 'PI' = ID + WALL + ODV + 21.20" [538,5] MANUAL/FLANGED  
 PROBE RETRACTED: PR  
 FORMULA FOR 'PR' = 2x (ID + WALL + ODV) + 21.20" [538,5] MANUAL/FLANGED

**FLANGED / MANUAL FLOW TAP**

CONFIDENTIAL AND PROPRIETARY INFORMATION IS CONTAINED HEREIN AND MUST BE HANDLED ACCORDINGLY. ROSEMOUNT	SURFACE FINISH UNLESS OTHERWISE SPECIFIED	125	3RD ANGLE		SIZE C	SCALE 1/12	REV AF
UNLESS OTHERWISE SPECIFIED DIMENSIONS IN INCHES [mm]. REMOVE ALL BURRS AND SHARP EDGES.	<b>EMERSON</b> 20 Market Boulevard - Chanhassen, MN 55317 USA						
-DEC TOLERANCES- .X ± .1 [2.5] .XX ± .02 [0.5] .XXX ± .010 [0.25]	TITLE DIMENSION DRAWING, MODEL 485 ANNUBAR FLOWMETER (3051SFA, 3051CFA 2051CFA, 3095MFA) SENSOR SIZE 2 FLO-TAP 150#-600# ANSI						
FRACTIONS ± 1/32	ANGLES ± 2'	DR. SGE	07/13/15	DRAWING NO.		00485-1014	
DO NOT SCALE PRINT	CAD MAINTAINED, (PRO/E)	PRODUCT CODE	-	DOC TYPE	-	SHEET 4 OF 5	

DRAWING NO. 00485-1014



SENSOR  
SIZE 2

HIGH PRESSURE  
INSTRUMENT  
CONNECTION

LOW PRESSURE  
INSTRUMENT  
CONNECTION

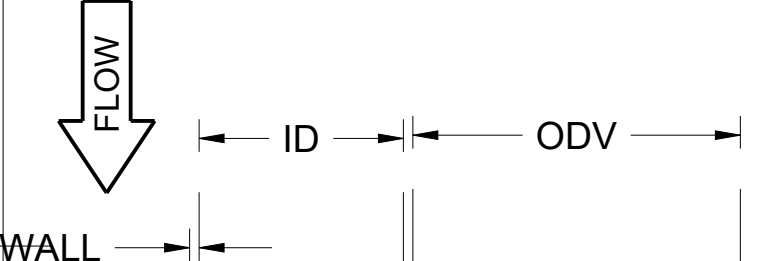
ISOLATION VALVE  
FULL PORT BALL VALVE (SHOWN)

REMOTE MOUNT HEAD OPTION

SECTION SHEET5-SHEET5

THREADED / GEAR DRIVE FLO-TAP  
REMOTE MOUNT HEAD OPTION

AVAILABLE IN BOTH MANUAL & GEAR DRIVEN CONFIGURATIONS  
WITH OR WITHOUT INTEGRAL TEMPERATURE SENSOR  
SOCKET WELD OR NPT CONNECTIONS AVAIL.



ODH MAX.  
PROBE INSERTED: PI  
FORMULA FOR 'PI' = ID + WALL + ODV + 23.62 [599,9] THREADED/GEAR DRIVE  
+ 20.39 [517,9] THREADED/MANUAL DRIVE  
PROBE RETRACTED: PR  
FORMULA FOR 'PR' = 2x (ID + WALL + ODV) + 23.62 [599,9] THREADED/GEAR DRIVE  
+ 20.39 [517,9] THREADED/MANUAL DRIVE

**NOTICE**  
FOR ACCURATE FLOW MEASUREMENT  
THE CORRECT HOLE SIZE IN PIPE MUST BE  
**1-5/16 INCH(34mm)**  
DO NOT DRILL OVERSIZE  
DO NOT TORCH CUT HOLE

DRAWING NO. 00485-1014

CONFIDENTIAL AND PROPRIETARY INFORMATION IS CONTAINED HEREIN AND MUST BE HANDLED ACCORDINGLY. ROSEMOUNT		SURFACE FINISH UNLESS OTHERWISE SPECIFIED	125	3RD ANGLE		SIZE C	SCALE 19/360	REV AF
UNLESS OTHERWISE SPECIFIED DIMENSIONS IN INCHES [mm]. REMOVE ALL BURRS AND SHARP EDGES.		<b>EMERSON</b> Market Boulevard - Chanhassen, MN 55317 USA						
-DEC TOLERANCES-		TITLE DIMENSION DRAWING, MODEL 485 ANNUBAR FLOWMETER (3051SFA, 3051CFA 2051CFA, 3095MFA) SENSOR SIZE 2 FLO-TAP 150#-600# ANSI						
.X ± .1 [2.5]	.XX ± .02 [0.5]	DR. SGE		07/13/15		DRAWING NO.		
.XXX ± .010 [0.25]	FRACTIONS ± 1/32	APP'D JR		07/13/15		00485-1014		
ANGLES ± 2'		DO NOT SCALE PRINT		CAD MAINTAINED, (PRO/E)		PRODUCT CODE		DOC TYPE - SHEET 5 OF 5