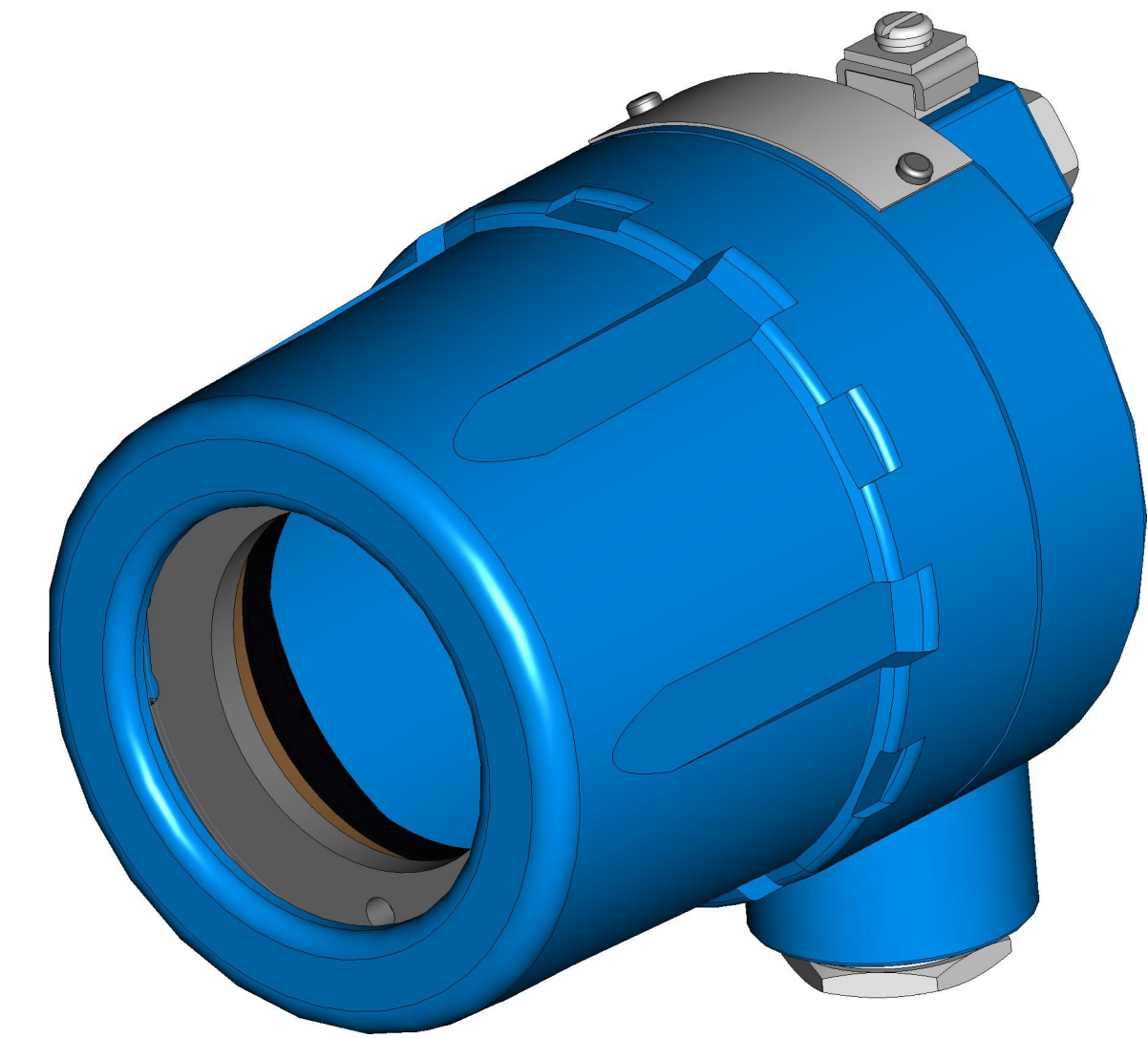
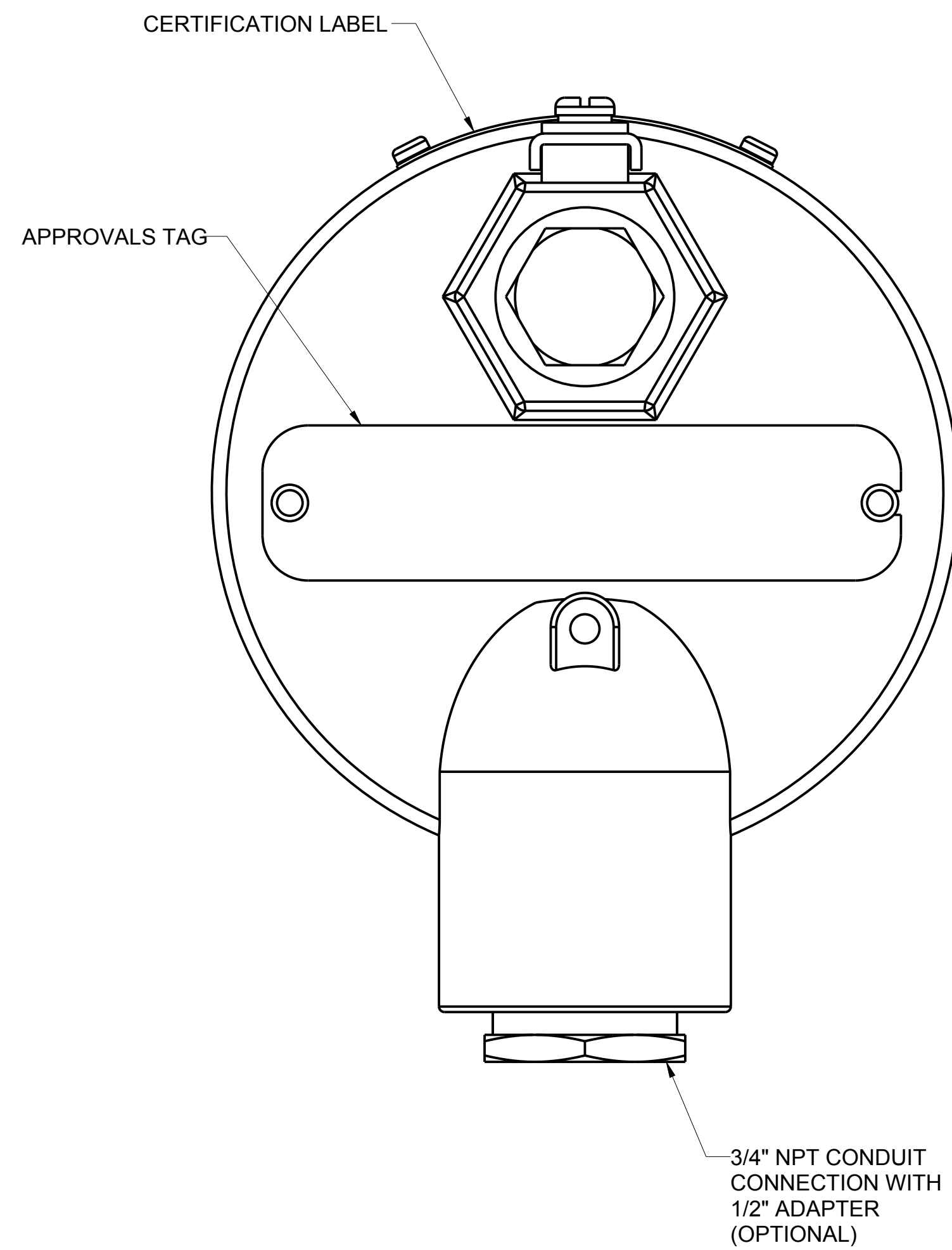
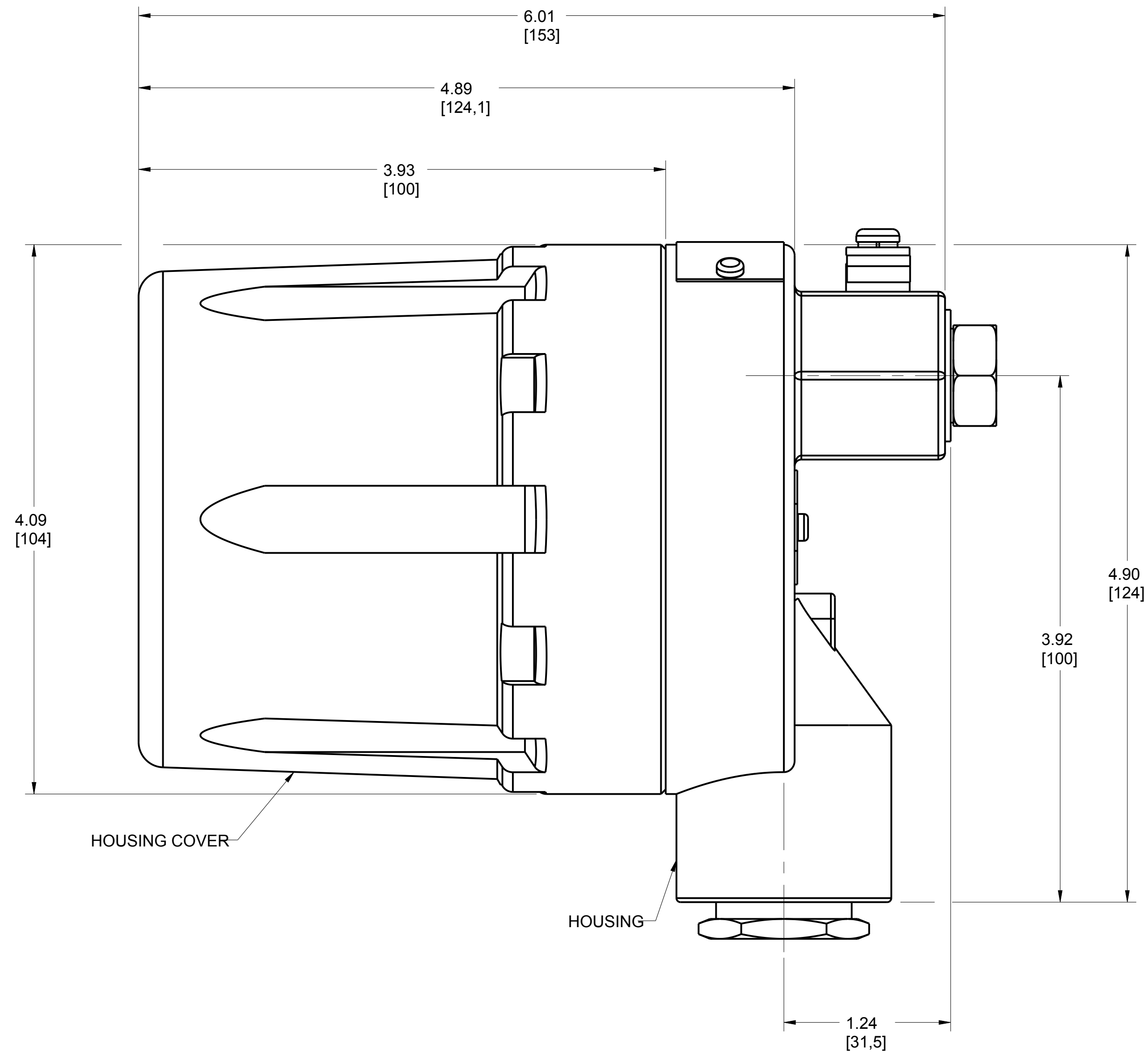


ROSEMOUNT 751 REMOTE SIGNAL INDICATOR

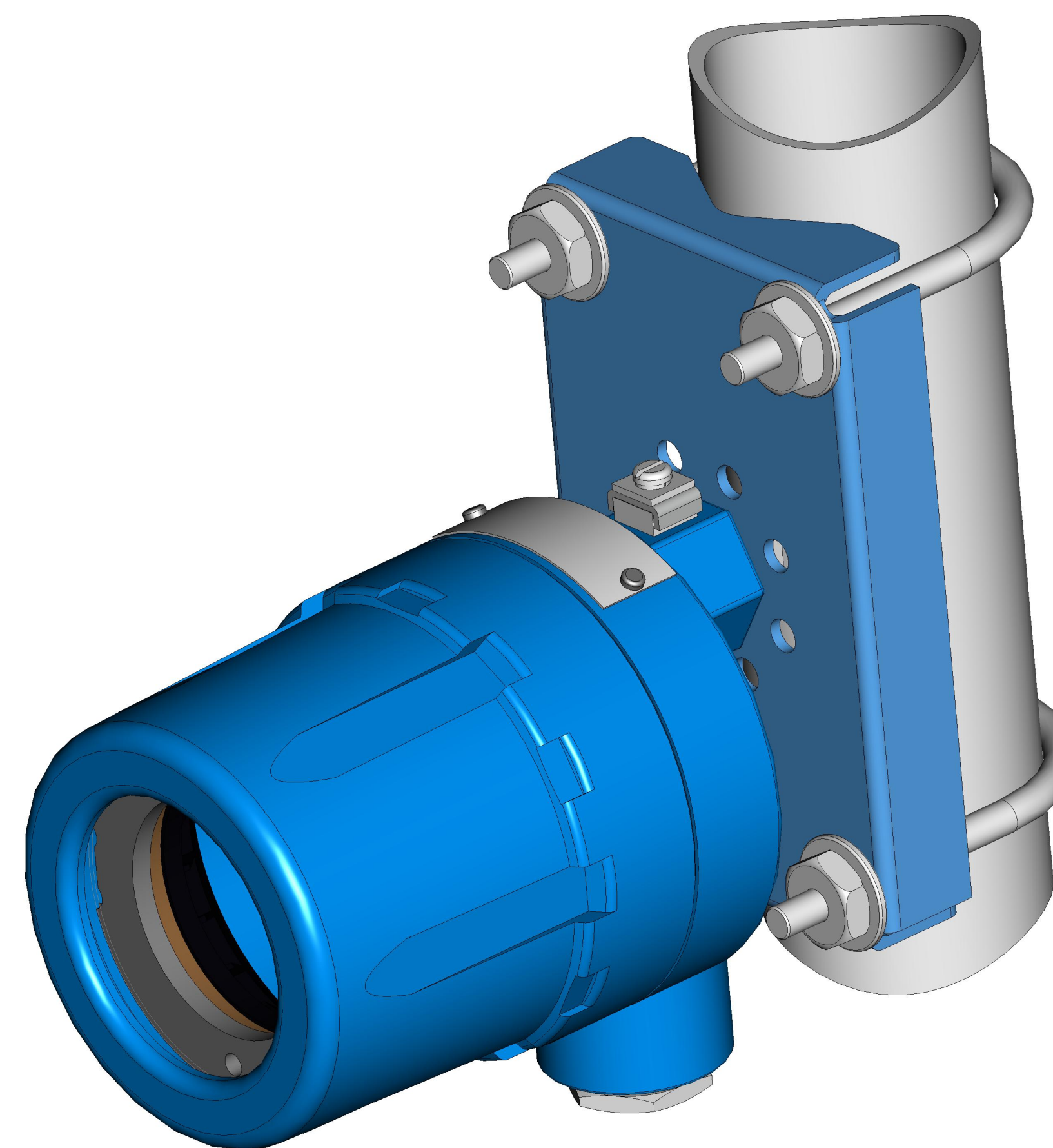
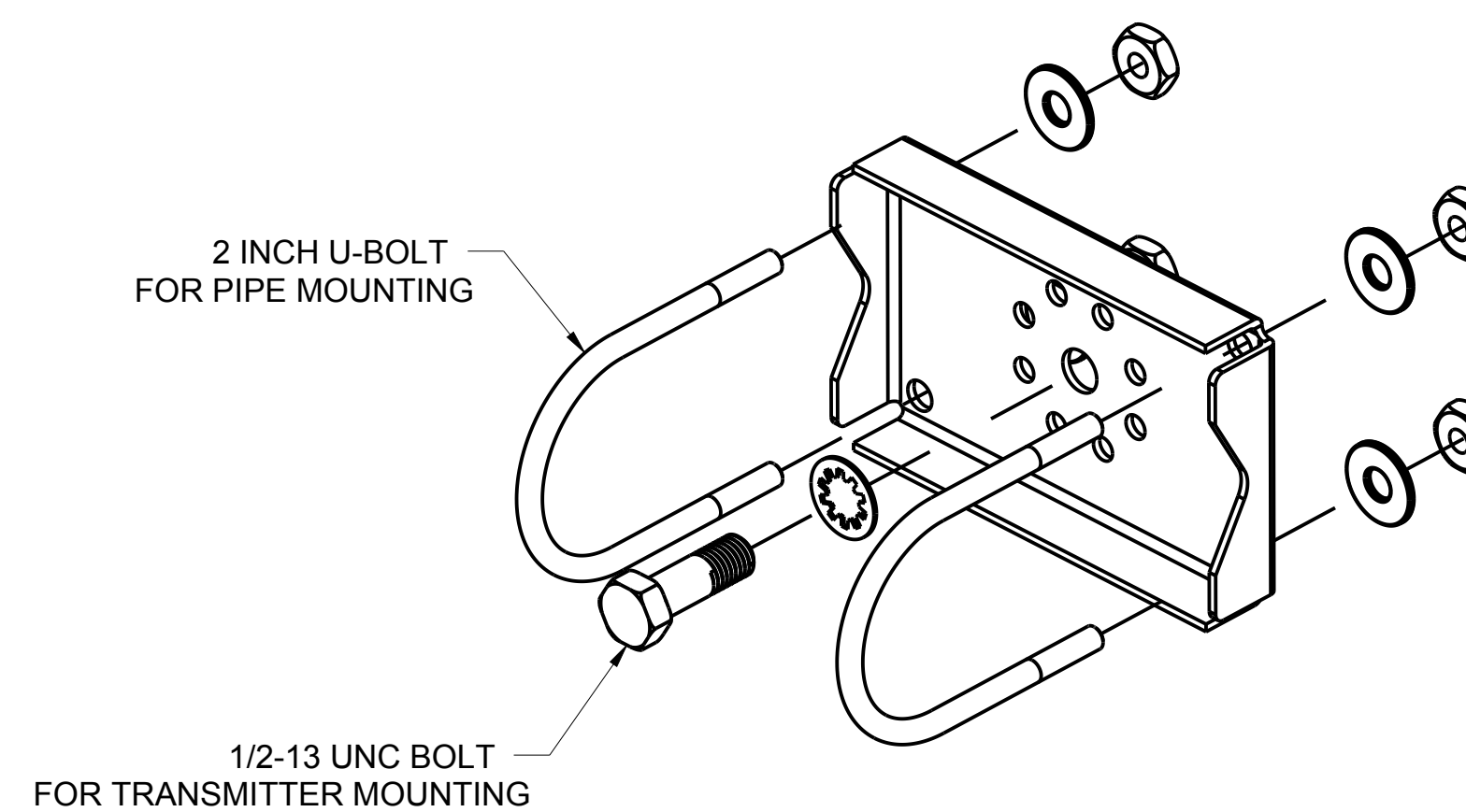
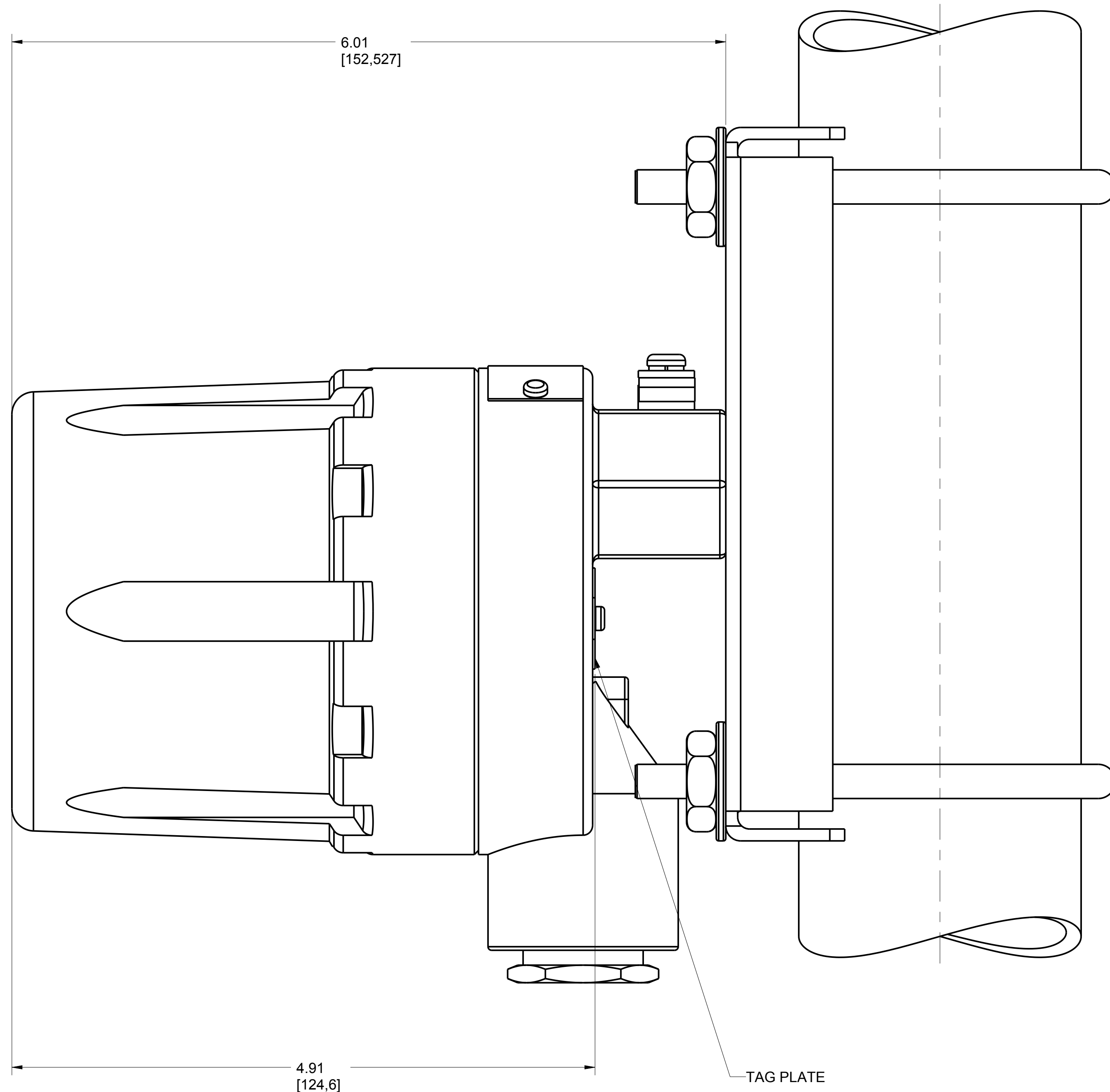
REVISION TABLE			
REVISION	ECO NO.	APP'D	DATE
AC	RTC1069855	Z. MASSA	2/5/18
DESCRIPTION			
UPDATE VIEWS, ADD DIMS, UPDATE TITLEBLOCK			



©2015 ROSEMOUNT INC. ROSEMOUNT INC. CERTIFIES THIS PRODUCT TO THE REQUIREMENTS OF THE STANDARD IN ACCORDANCE WITH ROSEMOUNT ENGINEERING SPECIFICATIONS. UNIT NOTES IN INCHES (mm). REFERENCE ROSEMOUNT PRODUCT SPECIFICATIONS. CLICK HERE	3RD ANGLE	SIZE D	SCALE NTS
	TITLE FIELD SIGNAL INDICATOR TYPE I DRAWING		
	DR. JLA APP'D Z. MASSA	2/1/18 2/5/18	DRAWING NO. 00751-0014

ROSEMOUNT 751 REMOTE SIGNAL INDICATOR
MOUNTING CONFIGURATION WITH OPTIONAL MOUNTING BRACKET

PIPE MOUNTING



©2015 ROSEMOUNT INC. ROSEMOUNT INC. CERTIFIES THIS DRAWING IS IN ACCORDANCE WITH ROSEMOUNT ENGINEERING SPECIFICATIONS. UNIT NOTES IN INCHES (mm). REFERENCE ROSEMOUNT PRODUCT SPECIFICATIONS. CLICK HERE	3RD ANGLE	SIZE D	SCALE NTS
	EMERSON		
	TITLE FIELD SIGNAL INDICATOR TYPE I DRAWING		
	DR. JLA 2/1/18 APPD. JR 2/5/18	DRAWING NO. 00751-0014	
CAD MAINTAINED, (PROE)		SHEET 2 OF 2	