

Magnetic Level Indicator Worksheet

Fill out and submit with form submission or email to sales@babbitt.us

Quantity _____

Chamber Material (Check one) 316SS CPVC Monel Hastelloy Other _____

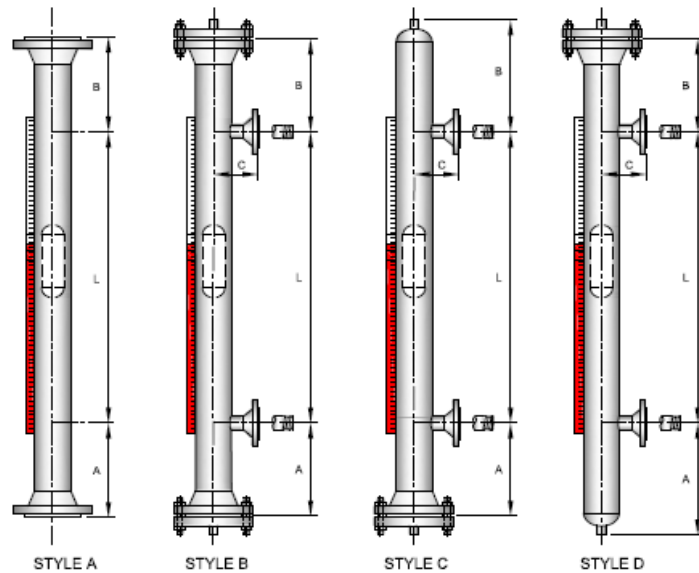
Process Fluid _____ Specific Gravity _____

Mounting Style (See Below) Style A Style B Style C (Most common) Style D

Process Connection (Check one) NPT Flange Specify Size _____ Specify rating _____

Center to Center (L Dimension in inches) _____

Max. Operating Pressure (PSIG) _____ Max. Operating Temperature (F) _____



Accessories

MLS Alarm Switches (See Page 6) Type _____ Quantity _____

4-20mA Transmitter (Check One) LT-1 LTM250 LTM350 HART Quantity _____

Transmitter Head Mount Orientation (Check one) Top Bottom Remote

If remote, specify distance (Max 25') _____

Transmitter Orientation (Check one)

Left

Right (Standard)

Transmitter Enclosure Material (Check one)

Aluminum (Standard)

316SS

Name _____ Date _____

Company _____

Address _____

City _____ State _____ Zip _____

Phone _____ Email _____

Fill out and submit with form submission or email to sales@babbitt.us