A detailed technical drawing of a valve assembly, showing various components like the stem, gate, and handwheel. The drawing is a cross-section, showing the internal parts of the valve. The main body of the valve is hatched with diagonal lines. The text 'RANGLER' is overlaid on the drawing, with the letter 'A' in red and containing a white valve icon.

# RANGLER

**VALVE AMERICA**

**API 602 FORGED STEEL  
GATE, GLOBE AND CHECK VALVES**

**ASME CLASS 150 - 2500#**

# PART NUMBER CONFIGURATION

## FORGED STEEL GATE, GLOBE, & CHECK VALVES

### ASME CLASS 150 - 2500#

Type	Size	Ends	ASME Class	Body	API Trim	Operator	Designator	Service
<b>FGA</b>	<b>10</b>	<b>W</b>	<b>3</b>	<b>A</b>	<b>8</b>	<b>H</b>	<b>-</b>	<b>N</b>
<b>1</b>	<b>2</b>	<b>3</b>	<b>4</b>	<b>5</b>	<b>6</b>	<b>7</b>	<b>8</b>	<b>9</b>

1 - VALVE TYPE	2 - SIZE	3 - ENDS
FGA = GATE FGL = GLOBE FSC = SWING CHECK FPC = PISTON CHECK FGY= Y-Pattern Globe	02 = 1/4" 05 = 1/2" 07 = 3/4" 10 = 1" 12 = 1 1/4" 15 = 1 1/2" 20 = 2"	S = FNPT C = COMBINATION (FNPT X SOCKET WELD) W = SOCKET WELD B = BUTTWELD (followed by Schedule) R = RF J = RTJ X = Special

4 - ASME CLASS	5 - BODY MATERIAL	6 - API TRIM
1 = 150 3 = 300 6 = 600 9 = 900 15 = 1500 25 = 2500 8 = 800	A = A105 B = A105N C = A350-LF2 D = A182-F2 E = A182-F11 F = A182-F22 G = A182-F5 H = A182-F9 I = A182-F304	J = A182-F304L K = A182-F304H L = A182-F316 M = A182-F316L N = A182-F316H O = A182-F317 P = A182-F321 AS PER API X = Special

7 - OPERATOR	8 - DESIGNATOR	9 - SERVICE
H = Handwheel E = Extended*  *Add "E" to designate extended top works i.e. GE equals extended gear	If applicable, please put a dash as the designator for a service condition identification.	N = NACE C = Cryogenic V = Vacuum X = Special

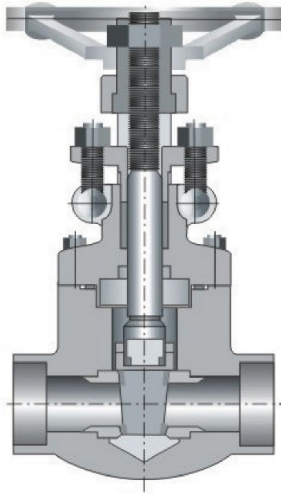
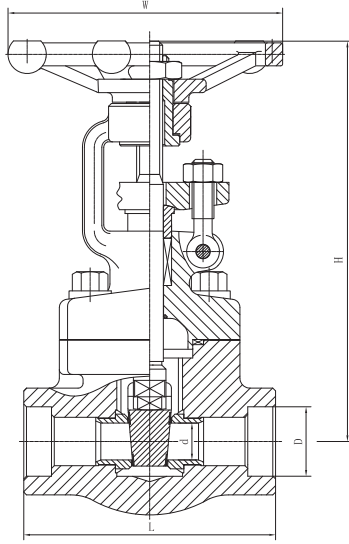
Example valve figure number: FGA10SW3A8H-N

Gate valve, 1", Socket Weld end connection, 300 ASME, A105 Body, Trim: #8, Handwheel operator, NACE

# API 602 Forged Steel Gate Valves

## CL 150~1500

### Threaded, Socket Weld, and Flanged



#### Design & Test Standards

Designed and manufactured in accordance with:

- API 602
- BS 5352
- ASME B16.34

Connection dimensions are in accordance with:

- ASME B1.20
- ASME B16.11

Inspected and tested in accordance with:

- API 598

### Dimensions and Weights

Class	Bore				L (mm)	W(mm)	H Open (mm)	Wt (Kg)	
	Inch		mm					Reduced Bore	Full Bore
	Reduced Bore	Full Bore	Reduced Bore	Full Bore					
800	1/4	-	8	-	79	100	166	2.2	-
	3/8	1/4	10	-	79	100	166	2.2	2.2
	1/2	3/8	15	10	79	100	166	2.2	2.2
	3/4	1/2	20	15	92	100	169	2.2	2.2
	1	3/4	25	20	111	125	193	4.7	4.3
	1-1/4	1	32	25	120	160	236	5.9	5.9
	1-1/2	1-1/4	40	32	120	160	246	6.9	6.9
	2	1-1/2	50	40	140	180	283	11.1	11.1
	2		50	178	200	330		15.2	

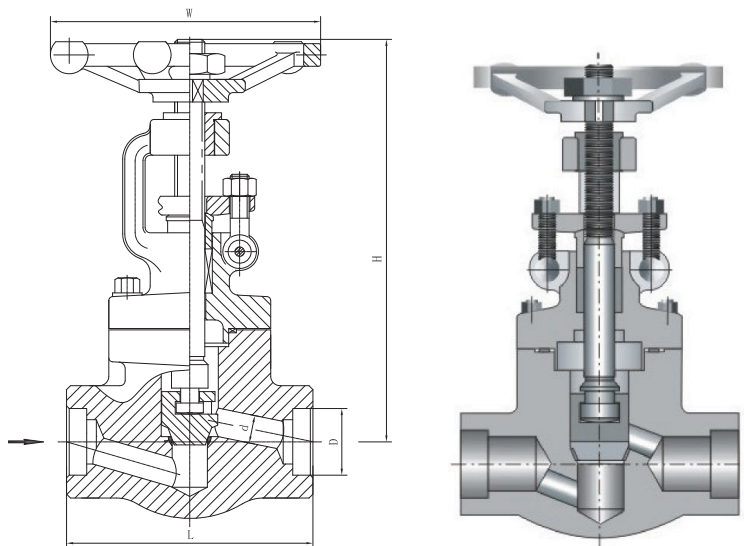
Class	Bore		Class	L (mm)	W(mm)	H Open (mm)	Wt (Kg)	
	Inch	mm					Bolted Bonnet	Welded Bonnet
1500	1/4	8	900	79	100	166	2.2	-
			1500	111	125	197	4.6	4.7
	3/8	10	900	79	100	166	2.2	-
			1500	111	125	197	4.3	4.4
	1/2	15	900	92	100	169	2.2	-
			1500	111	125	197	4.2	4.3
	3/4	20	900	111	125	193	4.3	-
			1500	111	125	197	4.0	4.2
	1	25	900	120	160	230	5.9	-
			1500	120	160	218	6.3	6.6
	1-1/4	32	900	120	160	246	6.9	-
			1500	120	160	237	8.7	8.8
	1-1/2	40	900	140	180	283	11.1	-
			1500	140	180	274	12.1	12.5
	2	50	900	178	200	330	15.2	-
			1500	178	200	320	17.2	17.2

*Flanged dimensions available on request.*

# API 602 Forged Steel Globe Valves

## CL 150~1500

### Threaded, Socket Weld, and Flanged



#### Design & Test Standards

Designed and manufactured in accordance with:

- API 602
- ASME B16.34

Connection dimensions are in accordance with:

- ASME B1.20
- ASME B16.11

Inspected and tested in accordance with:

- API 598

### Dimensions and Weights

Class	Bore				L (mm)	W(mm)	H Open (mm)	Wt (Kg)	
	Inch		mm					Reduced Bore	Full Bore
	Reduced Bore	Full Bore	Reduced Bore	Full Bore					
800	1/4	-	8	-	79	100	153	1.9	
	3/8	1/4	10	8	79	100	153	1.9	2.1
	1/2	3/8	15	10	79	100	158	1.9	2.1
	3/4	1/2	20	15	92	100	192	2.1	2.3
	1	3/4	25	20	111	125	252	3.3	3.6
	1-1/4	1	32	25	120	160	252	7.5	7.8
	1-1/2	1-1/4	40	32	152	160	289	7.5	8.2
	2	1-1/2	50	40	172	180	330	11.4	12.0
	2		50	200	240	370		15.0	

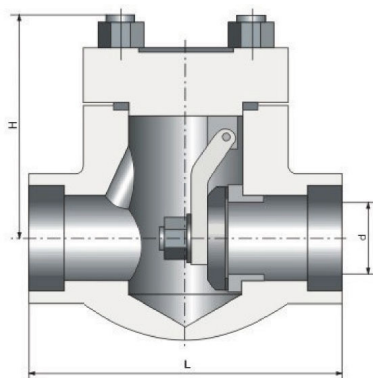
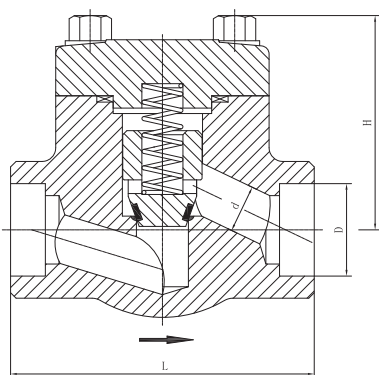
Class	Bore				L (mm)	W(mm)	H Open (mm)	Wt (Kg)	
	Inch		mm					Reduced Bore	Full Bore
	Reduced Bore	Full Bore	Reduced Bore	Full Bore					
1500	1/4	-	8	-	111	100	207	2.0	
	3/8	1/4	10	8	111	100	207	2.2	2.0
	1/2	3/8	15	10	111	100	207	2.4	2.2
	3/4	1/2	20	15	111	100	207	3.8	2.4
	1	3/4	25	20	130	125	240	4.2	3.8
	1-1/4	1	32	25	152	160	258	8.0	4.2
	1-1/2	1-1/4	40	32	172	160	290	13.2	8.0
	2	1-1/2	50	40	220	180	337	16.8	13.2
	2		50	235	200	354		16.8	

*Flanged dimensions available on request.*

# Forged Steel Check Valves

## CL 150~1500

### Threaded, Socket Weld, and Flanged



#### Design & Test Standards

Designed and manufactured in accordance with:

- BS 5352
- ASME B16.34

Connection dimensions are in accordance with:

- ASME B1.20
- ASME B16.11

Inspected and tested in accordance with:

- API 598

### Dimensions and Weights

Class	Bore				L (mm)		W(mm)		Wt (Kg)	
	Inch		mm		Piston	Swing	Piston	Swing	Piston	Swing
	Reduced Bore	Full Bore	Reduced Bore	Full Bore						
800	1/4	-	8	-	79	79	61	61	1.1	1.0
	3/8	1/4	10	8	79	79	61	61	1.2	1.1
	1/2	3/8	15	10	79	79	61	61	1.3	1.2
	3/4	1/2	20	15	92	92	61	61	1.4	1.3
	1	3/4	25	20	111	111	78	78	2.3	1.9
	1-1/4	1	32	25	120	120	84	84	3.9	3.4
	1-1/2	1-1/4	40	32	152	120	101	101	5.6	4.5
	2	1-1/2	50	40	172	140	120	120	8.9	7.3
	2		50	200	170	133	133	12.5	10.0	

Class	Bore				L (mm)		W(mm)		Wt (Kg)	
	Inch		mm		Piston	Swing	Piston	Swing	Piston	Swing
	Reduced Bore	Full Bore	Reduced Bore	Full Bore						
1500	1/4	-	8	-	111	111	79	79	3.0	3.0
	3/8	1/4	10	8	111	111	79	79	3.1	3.1
	1/2	3/8	15	10	111	111	79	79	3.2	3.2
	3/4	1/2	20	15	111	111	79	79	3.4	3.6
	1	3/4	25	20	130	120	97	97	4.8	4.3
	1-1/4	1	32	25	152	140	104	105	6.9	6.1
	1-1/2	1-1/4	40	32	172	140	120	120	10.7	8.8
	2	1-1/2	50	40	220	162	139	140	14.6	12.6
	2		50							

Flanged dimensions available on request.

**RANGER**  
VALVE AMERICA