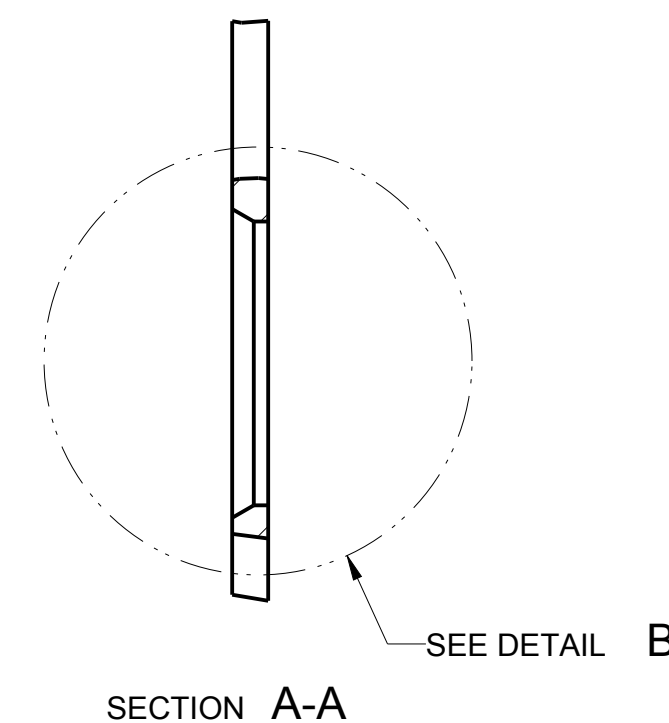
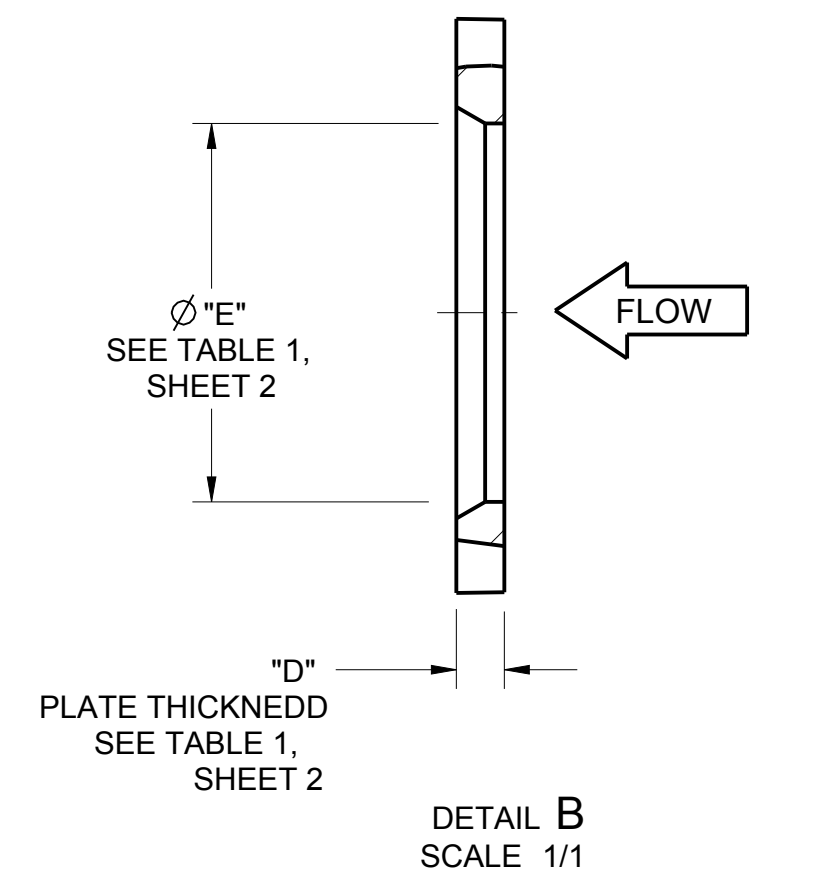
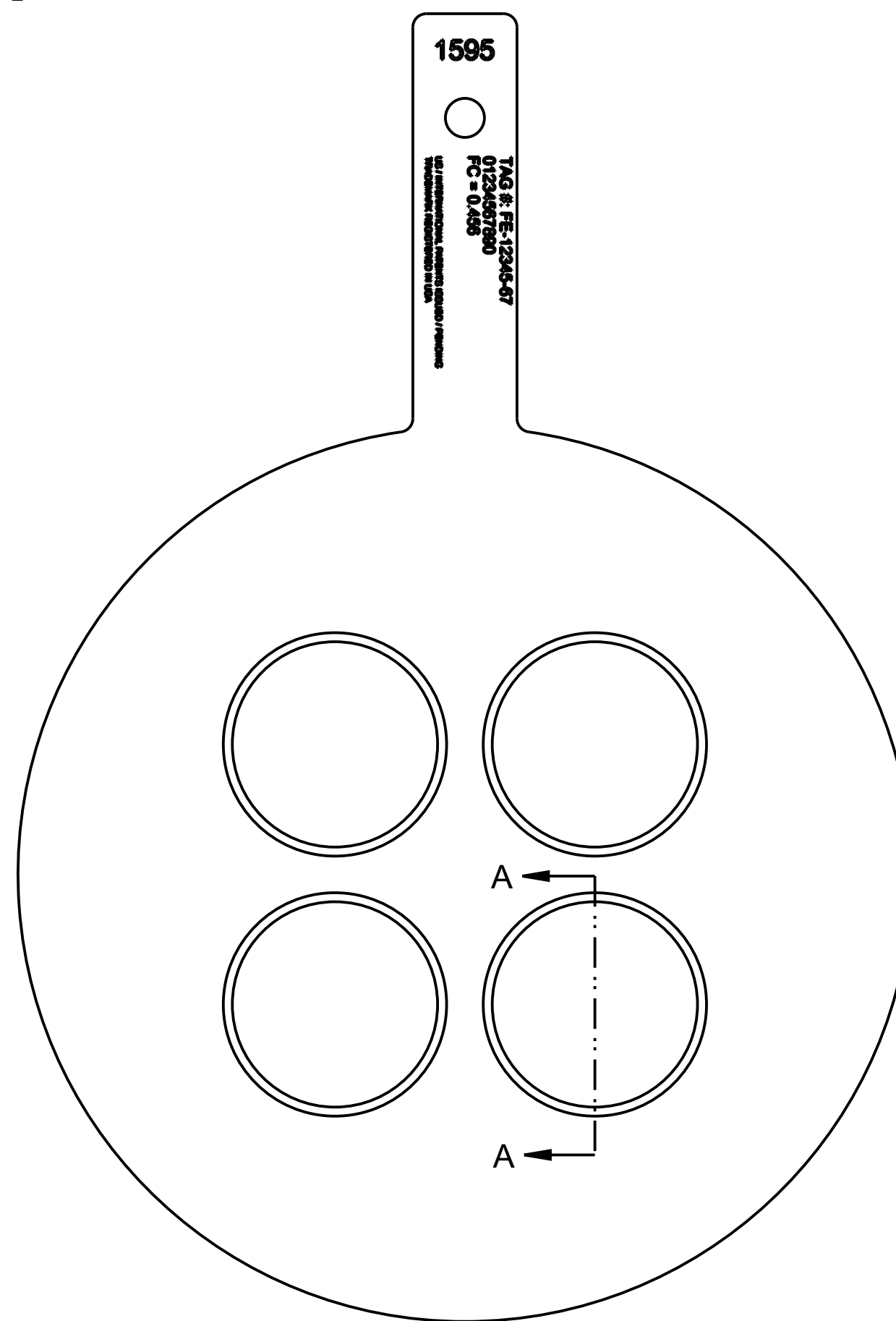
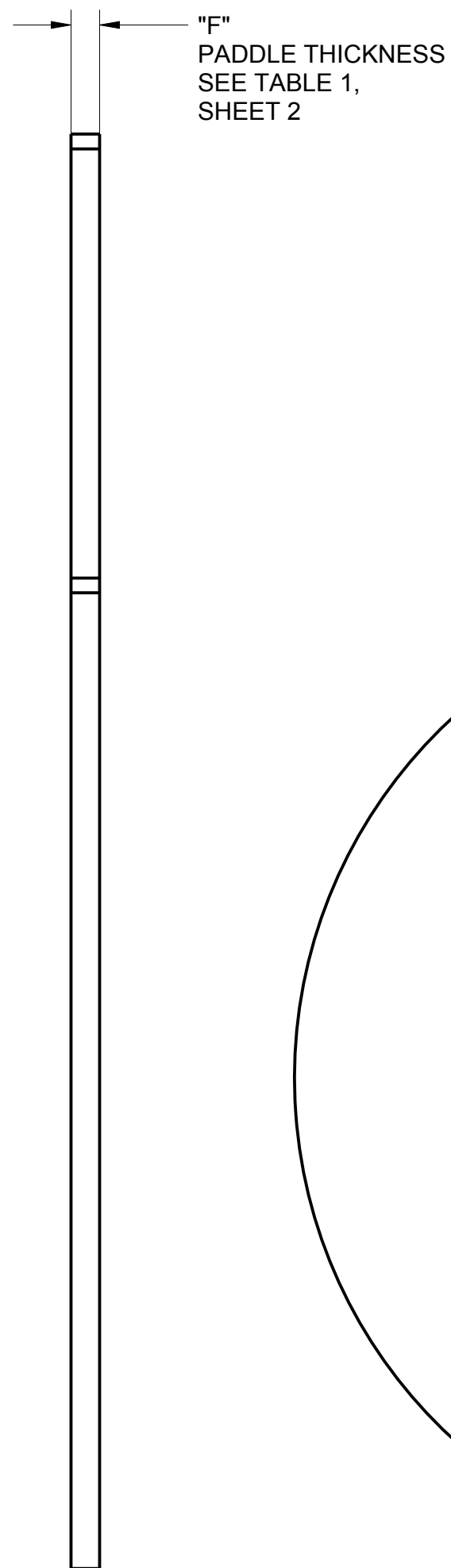
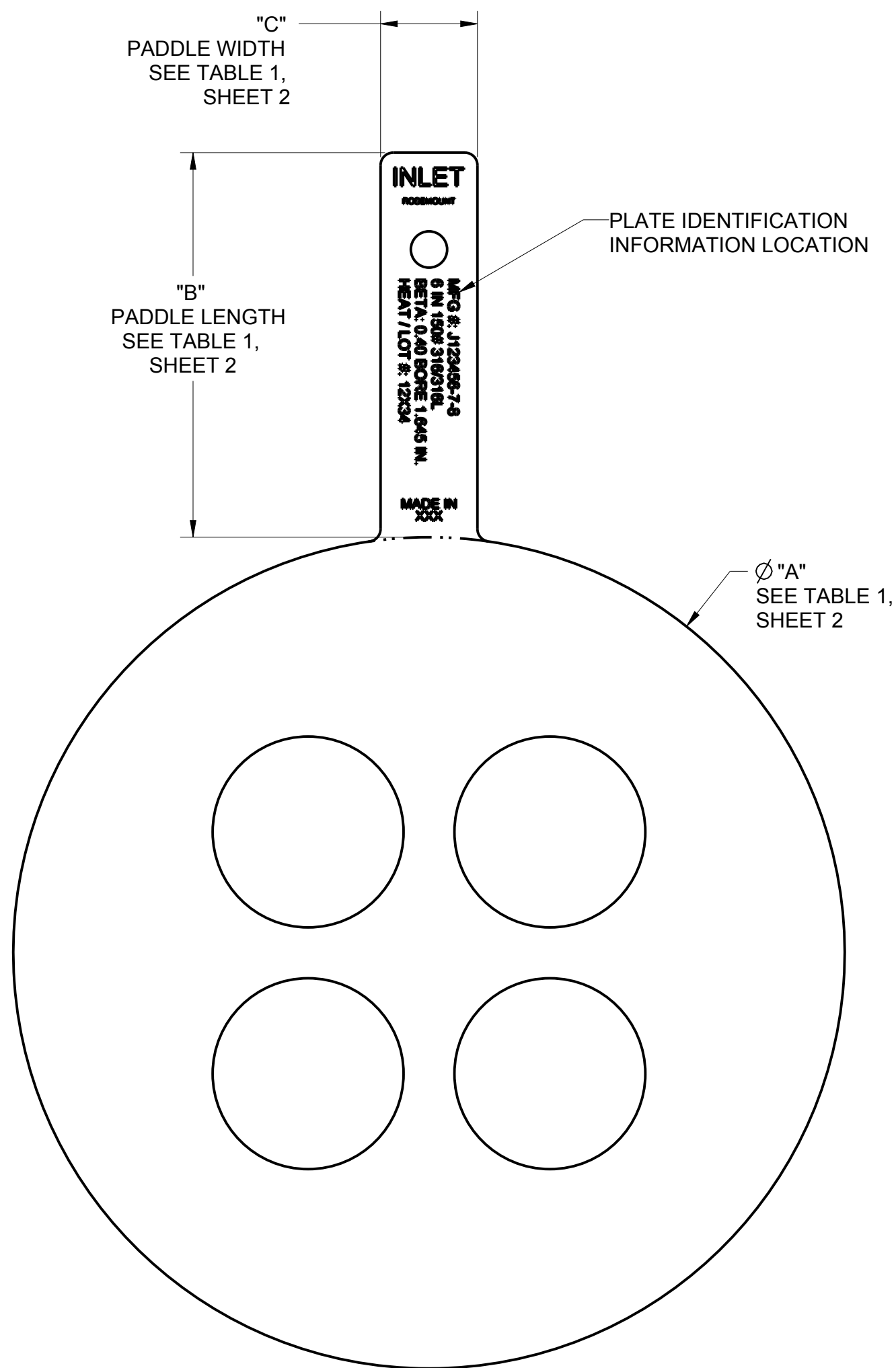


REVISION TABLE

REVISION	ECO NO.	APP'D	DATE
AC	DSI1003243	JR	03/22/10
DESCRIPTION			
CORRECTION TO TABLE 2. 8" PN 40. RE-DRAWN IN PRO E			



*UNLESS OTHERWISE SPECIFIED DIMENSIONS IN INCHES (MM)	TYPE I		ROSEMOUNT [®] BOULDER, COLORADO	
	DR. J.RUMSEY	03/18/10	TITLE DIMENSIONAL DRAWING FOR MODEL 1595 DIN	
*ALL DIMENSIONS ARE NOMINAL AND ARE FOR REFERENCE ONLY	APPROVAL		PADDLE STYLE CONDITIONING ORIFICE PLATE	
	DRAWING S.IFFT	03/16/10	SIZE C	DRAWING NO. 01595-1004
	TAGGING		SCALE : NONE	SHEET: 1 of 2
	SPECIALS			

NOTES:

- ROSEMOUNT INC. CERTIFIES THIS DRAWING IS IN ACCORDANCE WITH ROSEMOUNT ENGINEERING SPECIFICATIONS AND ACCURATELY REPRESENTS THE EQUIPMENT FURNISHED.
- FOR ACTUAL RECOMMENDED LOCATION AND ORIENTATION OF ORIFICE PLATES REFER TO INSTALLATION MANUAL 00809-0100-4828.
- FOR MODEL SELECTIONS AND OPTIONS REFER TO ROSEMOUNT PRODUCT DATA SHEET 00813-0100-4828.
- MODEL 1595 MAXIMUM TEMPERATURE IS 648 DEGREES CELSIUS FOR 304, 316 AND HASTELLOY, 482 DEGREES CELSIUS FOR MONEL. (OBSERVE GASKET MATERIAL LIMITATIONS).
- AVAILABLE MATERIALS: 304 AND 316 STAINLESS STEEL, MONEL AND HASTELLOY.
- DIMENSIONS SHOWN IN TABLE 1 ARE DECIMAL INCHES, FOLLOWED BY METRIC EQUIVALENT, ROUNDED TO NEAREST 1/10th MILLIMETER (mm.m).

TABLE 1: PLATE DIMENSIONS

LINE SIZE	PLATE DIAMETER "Ø A"						PADDLE		"D" PLATE THICKNESS		"F" PADDLE THICKNESS		DIAMETER Ø "E"			
	PN 10	PN 16	PN 25	PN 40	PN 63/64	PN 100	B	C	STD. MAT'L.	MONEL @ HI-TEMP.	STD. MAT'L.	MONEL @ HI-TEMP.	BETA 0.20	BETA 0.40	BETA 0.60	BETA 0.65
2" [50]	4.213 [107,0]				4.449 [113,0]	4.685 [119,0]	4.00 [101,6]	1.00 [25,4]					.207 [5,3]	.413 [10,5]	.620 (15.8)	N/A
3" [75]	5.591 [142,0]				5.827 [148,0]	6.063 [154,0]							.250 [6,4]	.307 [7,8]	.614 [15,6]	.997 [25,3]
4" [100]	6.378 [162,0]	6.614 [168,0]		6.850 [174,0]	7.087 [180,0]	.403 [10,2]							.805 [20,5]	1.309 [33,3]		
6" [150]	8.583 [218,0]	8.819 [224,0]		9.724 [247,0]	10.118 [257,0]	.607 [15,4]							1.213 [30,8]	1.971 [50,1]		
8" [200]	10.748 [273,0]	11.181 [284,0]	11.417 [290,0]	12.165 [309,0]	12.756 [324,0]	6.00 [152,4]	1.50 [38,1]					.798 [20,3]	1.596 [40,5]	2.549 [65,9]		
10" [250]	12.913 [328,0]	12.953 [329,0]	13.386 [340,0]	13.858 [352,0]	14.331 [364,0]							15.394 [391,0]	.375 [9,5]	1.002 [25,5]	2.004 [50,9]	3.257 [82,7]
12" [300]	14.882 [378,0]	15.118 [384,0]	15.748 [400,0]	16.417 [417,0]	16.693 [424,0]							18.031 [458,0]	1.200 [30,5]	2.400 [61,0]	3.900 [99,1]	
14" [350]	17.244 [438,0]	17.480 [444,0]	17.992 [457,0]	18.661 [474,0]	19.134 [486,0]							20.157 [512,0]	.375 [9,5]	1.312 [33,3]	2.625 [66,7]	4.265 [108,3]
16" [400]	19.252 [489,0]	19.488 [495,0]	20.236 [514,0]	21.496 [546,0]	21.378 [543,0]							22.520 [572,0]		1.500 [38,1]	3.000 [76,2]	4.875 [123,8]
18" [450]	21.220 [539,0]	21.850 [555,0]	N/A	22.480 [571,0]	N/A							1.688 [42,9]		3.375 [85,7]	5.485 [139,3]	
20" [500]	23.386 [594,0]	24.291 [617,0]	24.567 [624,0]	24.724 [628,0]	25.866 [657,0]							27.717 [704,0]		1.881 [47,8]	3.762 [95,6]	6.114 [155,3]
24" [600]	27.362 [695,0]	28.898 [734,0]	28.780 [731,0]	29.409 [747,0]	30.079 [764,0]							32.008 [813,0]	.500 [12,7]	2.262 [57,5]	4.525 [114,9]	7.353 [186,8]

ROSEMOUNT[®]

BOULDER, COLORADO

DR J.RUMSEY 03/18/10

APP'D S.IFFT 03/16/10

SIZE A

DRAWING NO.

01595-1004

SCALE : NONE

SHEET: 2 of 2