



TAX 905-837-8248

14th Floor, Centre Tower
3300 Bloor Street West
Toronto, Ontario
Canada M8X 2X4
Tel.: 416.734.3300
Fax: 416.231.1628
Toll Free: 1.877.682.8772

www.tssa.org

February 02, 2011

Gdja.

VANJA TERZIC
RCM TECHNOLOGIES CANADA CORPORATION
895 BROCK ROAD S
PICKERING ON L1W 3C1
CA

Service Request Type: BPV-Fitting Registration
Service Request No.: 525720
Your Reference No.: 1.013014-EAC

Dear VANJA TERZIC,

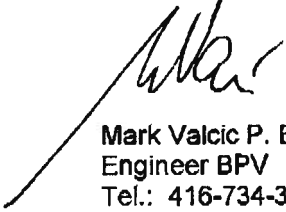
Technical Standards and Safety Authority (TSSA) is pleased to inform you that your submission on January 28, 2011 has been reviewed and registered as follows:

CRN No.: **0F14081.5**
Reference No.: 1.013014-EAC
Main Design No.: Dwg. No. 1700721 Rev. A, Model 3900 pH/ORP Sensor
Expiry Date: February 02, 2021

Please be advised that a valid quality control system must be maintained for the fitting registration to remain valid until the expiry date.

A stamped copy of the approved registration and invoice for engineering services will be mailed to you shortly. Should you have any questions or require further assistance, however, please contact a Customer Service Advisor at 1.877.682.TSSA (8772) or e-mail customerservices@tssa.org. We will be happy to assist you. When contacting TSSA regarding this file, please refer to the Service Request number provided above.

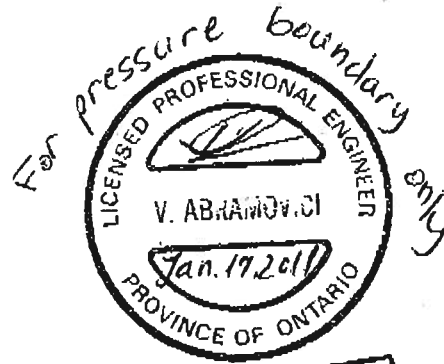
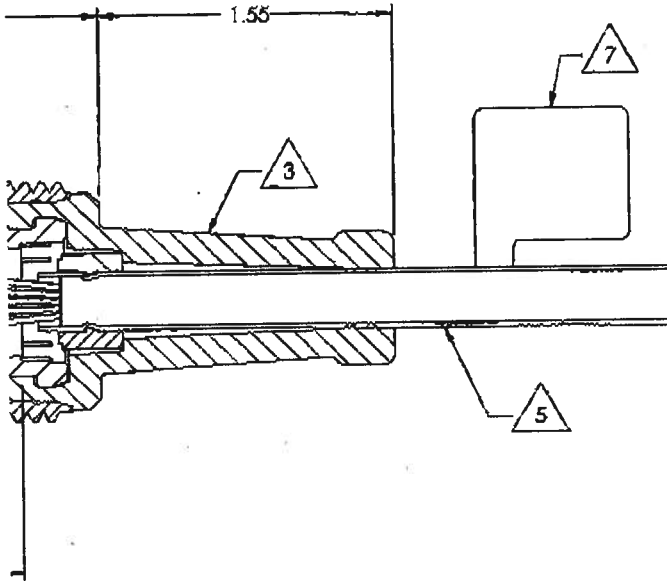
Yours truly,


Mark Valcic P. Eng.
Engineer BPV
Tel.: 416-734-3494
Fax: 416-231-6183
Email: mvalcic@tssa.org

4 3 2 1

REVISION					D
LTR	ECO	DESCRIPTION	BY	DATE	
					1700721

), TEFLON, 250V.
LON, 250V.



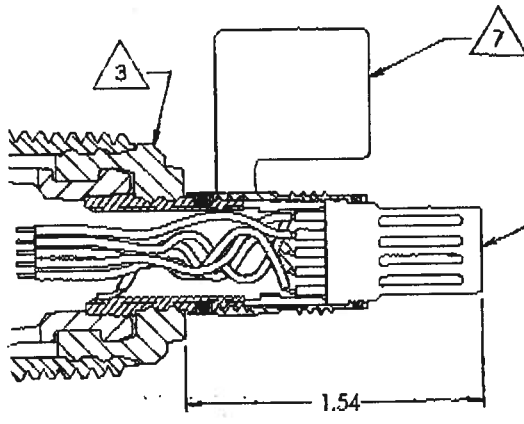
ENGR MASTER

THIS IS PART OF
CRN OF 14081.5
 Technical Standards & Safety Authority
 Boilers & Pressure Vessels
 Safety Program

NOTE: DES. PRESS. 60

psi @ 212°F. 1/4" in
Feb 02/11

THIS DOCUMENT IS CERTIFIED BY
_____ REV
_____ REV
_____ REV
_____ REV
_____ REV
_____ REV
REVISIONS NOT PERMITTED WITHOUT AGENCY APPROVAL



P,
MOTOR END

DIMENSIONS ARE IN INCHES REMOVE BURRS & SHARP EDGES MACHINE FILLET RADII .020 MAX NOMINAL SURFACE FINISH: 125 ANGLES = 1/2" XX ± .05 XXX ± .010			APPROVALS		DATE	Emerson PROCESS MANAGEMENT	ROSEMOUNT ANALYTICAL
MATERIAL			DRAWN	C. HOANG	11-11-10	TITLE	
			CHECKED	J. PERKINS	11-19-10	3900 SENSOR APPROVAL DRAWING	
FINISH			ENG APPR	bme 124310		SIZE DWG NO	REV
			THIS FILE CREATED USING SOLID EDGE			D	1700721
RELEASE DATE	LQD10286	A	SCALE 2:1		WEIGHT:	SHEET 1 OF 2	