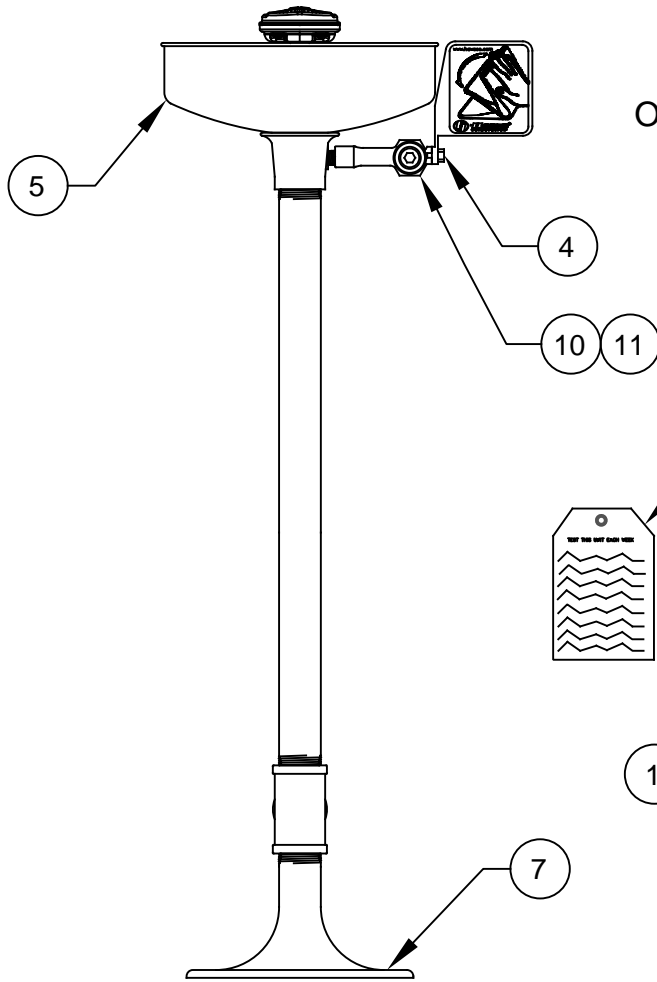
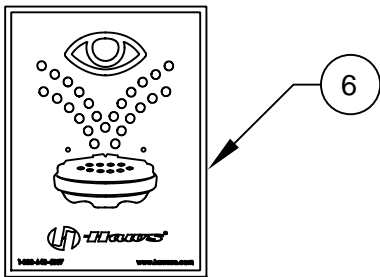
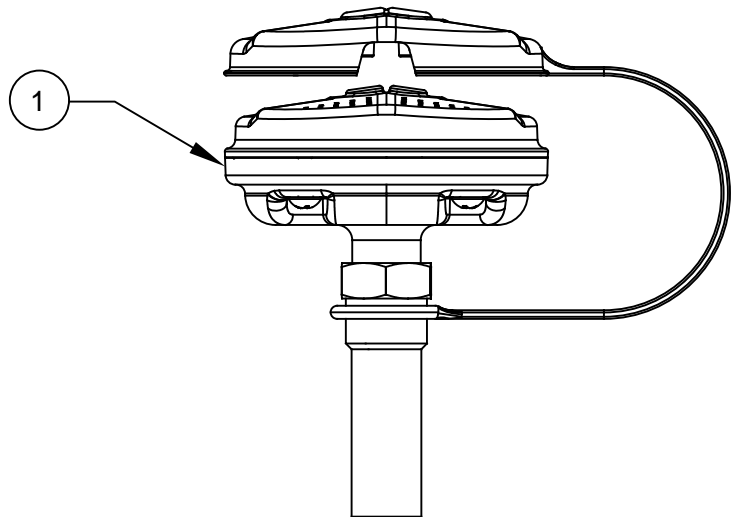
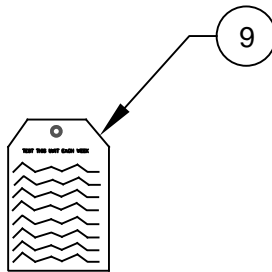


ITEM	DESCRIPTION	PART NO.
1	EYE/FACE WASH ASSEMBLY	SP65
2	--	--
3	--	--
4	VALVE ASSEMBLY	SP229
5	BOWL	SP90
6	EYEWASH SIGN	SP175
7	FLOOR FLANGE	SP75
8	FOOT TREADLE (NOT SHOWN)	SP220
9	TEST TAG	SP170
10	L-STRAINER	SP509
11	STRAINER REPAIR KIT	VRKEWSTR



OPTIONAL




SP65 EYE/FACE WASH ASSEMBLY

(INCLUDES EYE/FACE WASH HEAD (**SHOWN**) EYEWASH HEAD (**NOT SHOWN**), EYEWASH FLOW CONTROL (**NOT SHOWN**), DUST COVER (SHOWN))

PARTS BREAKDOWN

WHEN ORDERING PARTS PLEASE SPECIFY MODEL NUMBER.

		Haws [®]		1455 KLEPPE LANE SPARKS, NEVADA 89431 (775) 359-4712 FAX (775) 359-7424 E-MAIL: HAWS@HAWSCO.COM WEBSITE: WWW.HAWSCO.COM	
				ECN NO. REVISED PER BY ECN: 5239 VWC	MODEL(S) 7361-7461
DRAWN CLF	DATE 02/24/93	CHKD VWC			
APPROVED FV	DATE 11/23/17	SCALE: 1/8	DRAWING TYPE: PARTS BREAKDOWN	SIZE: A	SHEET 1 OF 1