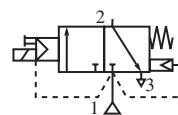


# MINI SPOOL VALVES

solenoid air operated  
plastic body  
individual mounting or joinable subbase  
G1/8 tapped body or 6 mm O.D instant fittings



## GENERAL

<b>Fluid</b>	Air or neutral gaz, filtered, lubricated or not
<b>Operating pressure</b>	1,5 to 8 bar
<b>Ambient temperature</b>	+5°C to +50°C
<b>Flow (Qv at 6 bar)</b>	400 l/min (ANR) - Kv : 5,7
<b>Response time</b>	energized 15 ms de-energized 45 ms
<b>Connection</b>	Instant fittings Ø 6 O.D. or G 1/4 subbases
<b>Mounting</b>	individual or joinable subbases

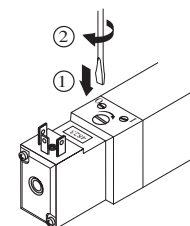
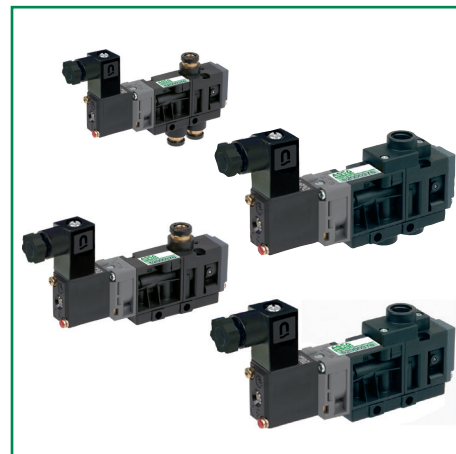
## CONSTRUCTION

### SPOOL VALVES

<b>Body</b>	POM (polyacetal)
<b>Cover</b>	POM (polyacetal)
<b>Internal parts</b>	POM (polyacetal) and brass
<b>Seals</b>	NBR (nitrile)
<b>Manual operator</b>	Maintained, impulse Latchable in hold position (push-turn)

### PILOT

<b>Seals</b>	NBR (nitrile)
<b>Electrical equipment</b>	Conforming to NF C79300 standard
<b>Coil and iron circuit</b>	Encapsulated



## ELECTRICAL CHARACTERISTICS

voltages		consumption	insulation class	protection degree	electrical connection
~	24V, 115V, 230V - 50/60Hz	2 VA (1,5 W)	F	IP 65	spade plug size 15 connector, DIN 43650, 9,4 mm, industry standard B, rotatable by 90°
=	24V	1,6 W			

## SPECIFICATIONS

function symbol	operators solenoid air operated pilot (14) return (12)	connection		catalogue number			
		port 2	ports 1-3	24V ~	115V ~	230V ~	24V =
	differential return	instant fitting 6 mm O.D.	inst. fitting 6mm O.D.	52000214	52000215	52000216	52000213
			subbase mounted	52000210	52000211	52000212	52000209
		tapped G 1/8	tapped G 1/8	52000194	52000195	52000196	52000193
			subbase mounted	52000190	52000191	52000192	52000189

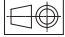
3/2 NO version (operating pressure 2,5 to 8 bar) : on request

## ACCESSORIES

visual indicator (LED) and electrical protection (  )	24V =/~	88130401
	115V ~	88130402
	230V ~	88130403
connector size 15 with cable, 2 m long		88143567
connector size 15 with built-in visual indication and protection, with cable outlet, 2 m long (  )	24V =/~	88143580

## SUBBASES

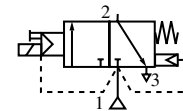
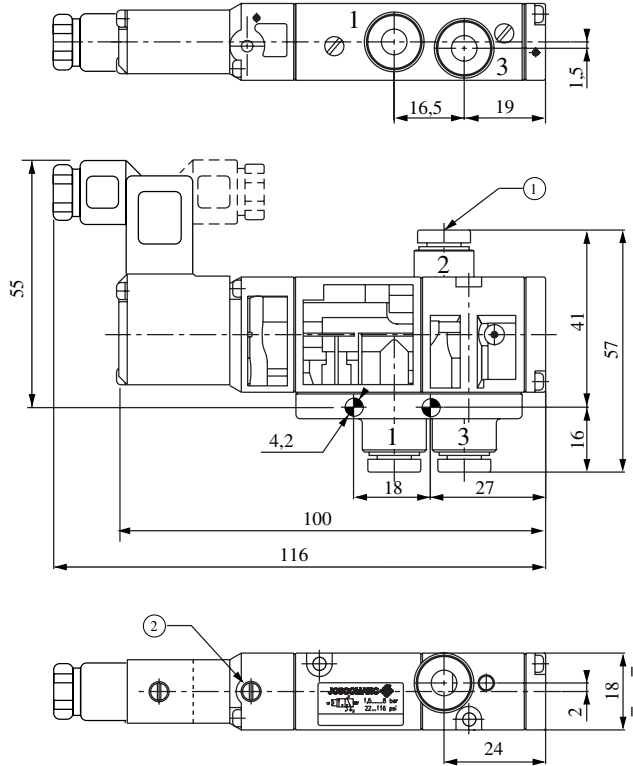
possible mounting on joinable subbases. Fixing screws and seals are supplied with subbases

**DIMENSIONS (mm), WEIGHT (kg)** 

**Individual mounting version**

Connection with instant fitting

Weight : 0,102

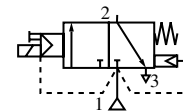
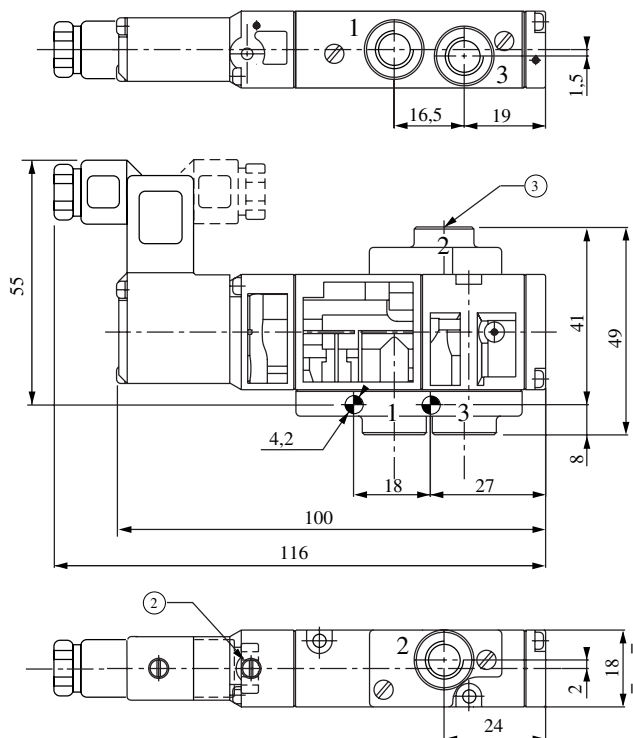


1 = Pressure  
2 = Outlet  
3 = Exhaust

- ① 3 instant fittings Ø6 mm O. D. tube
- ② Manual operator


Tapped G 1/8 connection

Weight : 0,094



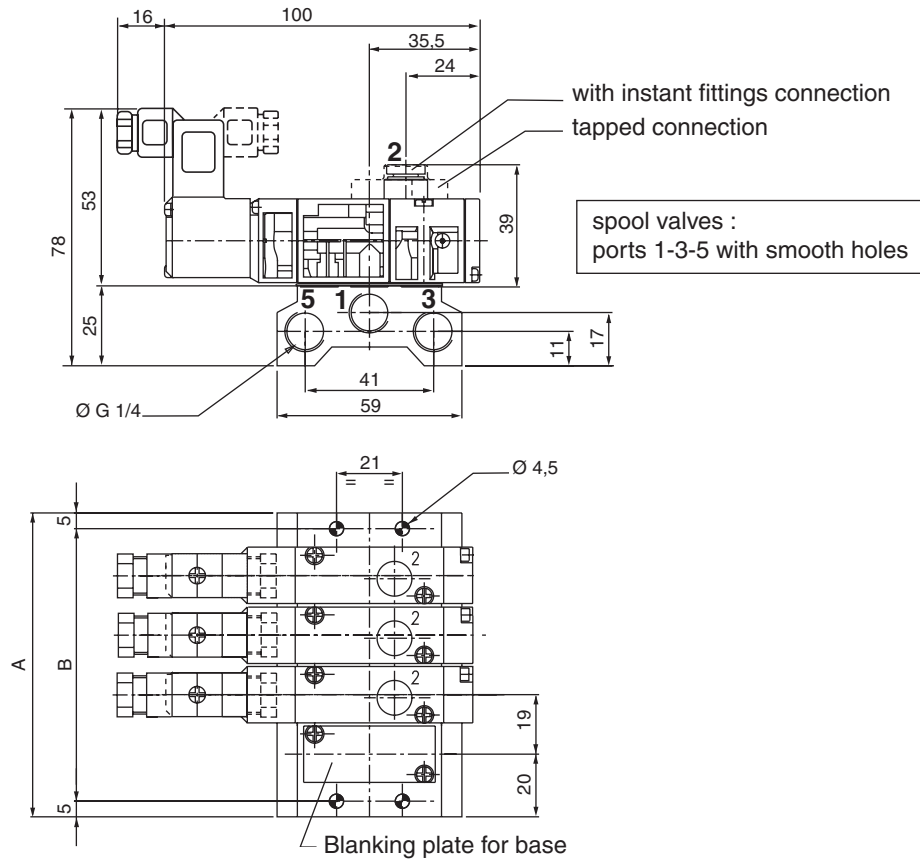
1 = Pressure  
2 = Outlet  
3 = Exhaust

- ② Manual operator
- ③ 3 x ports tapped G 1/8

**DIMENSIONS (mm), WEIGHT (kg)** 

**Subbase mounted version**

Weight, valve only : 0,086



number of spool valves	A	B	weight*
2	59	49	0,145
3	78	68	0,195
4	97	87	0,240
5	116	106	0,290
6	135	125	0,340
7	154	144	0,385
8	173	163	0,435
9	192	182	0,485
10	211	201	0,530

\* subbases only