



## OPTIWAVE 1010 Technical Datasheet

Radar (FMCW) Level Transmitter for bypass chambers and magnetic level indicators (BM 26 Advanced)

- Device welded to a bypass chamber with an optional IP68 level indicator (BM 26 Advanced) – for the continuous measurement of clean liquids
- Device is configured and ready to use before it leaves the factory
- Measuring distance up to 8 m / 26.2 ft

**HART**  
COMMUNICATION PROTOCOL



<b>1</b>	<b>Product features</b>	<b>3</b>
<hr/>		
1.1	The FMCW radar level transmitter for bypass chambers .....	3
1.2	Overview.....	4
1.3	Measuring principle.....	6
<b>2</b>	<b>Technical data</b>	<b>7</b>
<hr/>		
2.1	Technical data.....	7
2.2	Measuring accuracy .....	11
2.3	Minimum power supply voltage .....	12
2.4	Dimensions and weights .....	13
<b>3</b>	<b>Installation</b>	<b>15</b>
<hr/>		
3.1	Pre-installation requirements .....	15
3.2	Pressure and temperature ranges .....	15
3.3	Recommended mounting position .....	18
3.4	Mounting restrictions .....	18
<b>4</b>	<b>Electrical connections</b>	<b>19</b>
<hr/>		
4.1	Electrical installation: 2-wire, loop-powered .....	19
4.2	Electrical connection for current output .....	19
4.2.1	Non-Ex devices .....	19
4.2.2	Devices for hazardous locations.....	20
4.3	Networks .....	20
4.3.1	General information.....	20
4.3.2	Point-to-point connection.....	20
4.3.3	Multi-drop networks .....	21
<b>5</b>	<b>Order information</b>	<b>22</b>
<hr/>		
5.1	Order code .....	22
5.2	Accessories.....	24
<b>6</b>	<b>Notes</b>	<b>25</b>
<hr/>		

## 1.1 The FMCW radar level transmitter for bypass chambers

The OPTIWAVE 1010 is a non-contact FMCW radar welded to a bypass chamber with an optional IP68 level indicator (BM 26 Advanced). It continuously measures the distance and level of clean liquids.



- ① OPTIWAVE 1010 radar level transmitter
- ② Welded connection (matching element)
- ③ BM 26 Advanced magnetic level indicator (MLI) or bypass chamber
- ④ Standard aluminium housing
- ⑤ Aluminium housing with distance piece
- ⑥ Stainless steel housing

### Highlights

- 2-wire, loop-powered, HART®, 6 GHz Radar (FMCW) Level Transmitter for clean liquids
- Welded to a bypass chamber or BM 26 Advanced MLI
- Device is configured and ready to use before it leaves the factory
- Adjustments possible using HART® communication / DTM / DDs
- $\pm 5$  mm / 0.2" accuracy
- Measuring distance up to 8 m / 26.2 ft
- Metaglas® or Metapeek seal (dual process seal system)
- Max. process conditions +150°C / +302°F and 40 barg / 580 psig
- No minimum dielectric constant when using a float

### Industries

- Chemical market
- Power
- Water & Wastewater
- Automotive

### Applications

- Raw material storage
- Water hammer arresters
- Liquefied gas
- Hydraulic oil

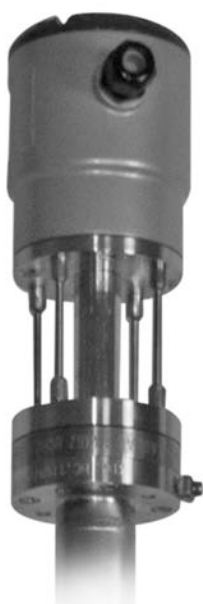
## 1.2 Overview

### Standard aluminium housing



- Max. process connection temperature: +100°C / +212°F
- Max. process pressure: 16 barg / 232 psig
- Metapeek process seal

### Aluminium housing with distance piece



- Max. process connection temperature: +150°C / +302°F
- Max. process pressure: 40 barg / 580 psig
- Metaglas® process seal

### Stainless steel housing



- Max. process connection temperature: +120°C / +248°F
- Max. process pressure: 40 barg / 580 psig
- Metaglas® process seal

### 1.3 Measuring principle

A radar signal is emitted via an antenna, reflected from the product surface and received after a time  $t$ . The radar principle used is FMCW (Frequency Modulated Continuous Wave).

The FMCW-radar transmits a high frequency signal whose frequency increases linearly during the measurement phase (called the frequency sweep). The signal is emitted, reflected on the measuring surface and received with a time delay,  $t$ . Delay time,  $t=2d/c$ , where  $d$  is the distance to the product surface and  $c$  is the speed of light in the gas above the product.

For further signal processing the difference  $\Delta f$  is calculated from the actual transmitted frequency and the received frequency. The difference is directly proportional to the distance. A large frequency difference corresponds to a large distance and vice versa. The frequency difference  $\Delta f$  is transformed via a Fourier transformation (FFT) into a frequency spectrum and then the distance is calculated from the spectrum. The level results from the difference between the maximum distance and the measured distance.

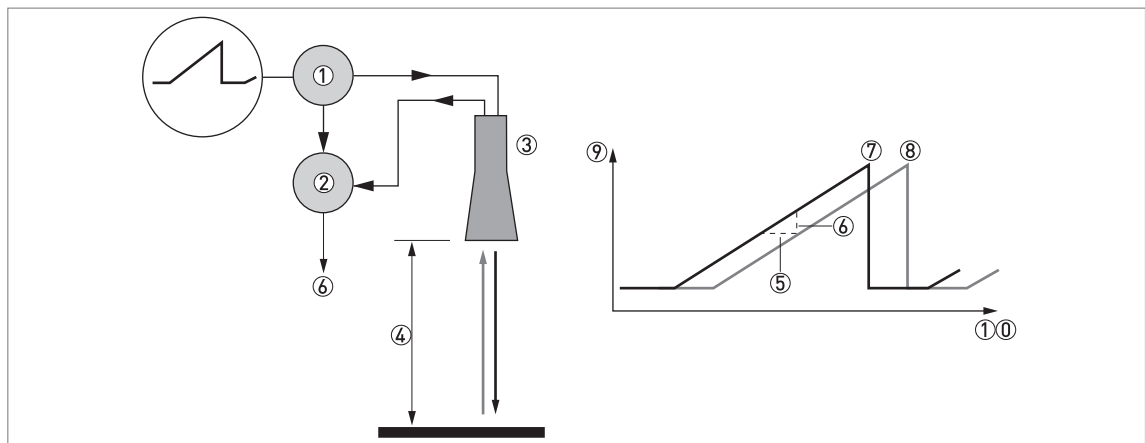


Figure 1-1: Measuring principle of FMCW radar

- ① Transmitter
- ② Mixer
- ③ Antenna
- ④ Distance to product surface, where change in frequency is proportional to distance
- ⑤ Differential time delay,  $\Delta t$
- ⑥ Differential frequency,  $\Delta f$
- ⑦ Frequency transmitted
- ⑧ Frequency received
- ⑨ Frequency
- ⑩ Time

## 2.1 Technical data

- *The following data is provided for general applications. If you require data that is more relevant to your specific application, please contact us or your local sales office.*
- *Additional information (certificates, special tools, software,...) and complete product documentation can be downloaded free of charge from the website (Downloadcenter).*

### Measuring system

Measuring principle	2-wire loop-powered level transmitter; C-band (6 GHz) FMCW radar
Application range	Level indication of liquids in applications up to 40 barg / 580 psig
Primary measured value	Distance to the surface of the liquid (or the top of the float, if the liquid has a low dielectric constant)
Secondary measured value	Level of the liquid in the bypass chamber

### Design

Construction	The measurement system consists of a bypass chamber, a signal converter and an optional float
Measuring range	0.3...5.6 m / 0.98...18.4 ft (max. 8 m / 26.2 ft)
Top dead zone	Minimum value: 300 mm / 11.8" from the matching element
<b>User interface</b>	
User interface	PACTware™

### Measuring accuracy

Repeatability	±2 mm / ±0.08"
Accuracy	±5 mm / ±0.2" ①
Influence of temperature on the bypass chamber	0.01 mm/1 m of distance/°C (relative to +25°C) / 0.000216"/1 ft of distance/°F (relative to +77°F)
<b>Reference conditions acc. to DIN EN 61298-1</b>	
Temperature	+18...+30°C / +64...+86°F
Pressure	860...1060 mbara / 12.5...15.4 psia
Relative air humidity	45...75%
Target	A special float with a target is installed in the bypass chamber and used to calibrate the device

### Operating conditions

<b>Temperature</b>	
Ambient temperature	-40...+85°C / -40...+185°F Ex: see supplementary operating instructions or approval certificates
Storage temperature	-40...+85°C / -40...+185°F

Process temperature	<p><b>Standard aluminium version with Metapeek process seal:</b> with a Kalrez® 6375 gasket: -20...+100°C / -4...+212°F with a FKM/FPM gasket: -40...+100°C / -40...+212°F with a EPDM gasket: -40...+100°C / -40...+212°F ②</p> <p><b>Aluminium version with distance piece and Metaglas® process seal:</b> with a Kalrez® 6375 gasket: -20...+150°C / -4...+302°F with a FKM/FPM gasket: -40...+150°C / -40...+302°F with a EPDM gasket: -40...+150°C / -40...+302°F ③</p> <p><b>Stainless steel version with Metaglas® process seal:</b> with a Kalrez® 6375 gasket: -20...+120°C / -4...+248°F with a FKM/FPM gasket: -40...+120°C / -40...+248°F with a EPDM gasket: -40...+120°C / -40...+248°F ③</p> <p>The process connection temperature must agree with the temperature limits of the gasket material. Ex: see supplementary operating instructions or approval certificates</p>
<b>Pressure</b>	
Process pressure	<p><b>Standard (with Metapeek):</b> -1...16 barg / -14.5...232 psig</p> <p><b>With Metaglas®:</b> -1...40 barg / -14.5...580 psig</p>
<b>Other conditions</b>	
Minimum dielectric constant ( $\epsilon_r$ )	Not applicable. If $\epsilon_r < 3$ , a float with a target is used.
Ingress protection	IEC 60529: IP66/67
Maximum rate of change	10 m/min / 32.8 ft/min
Measurement update rate	Typically 2 measurement cycles/s

### Installation conditions

Dimensions and weights	For dimensions and weights data, refer to <i>Dimensions and weights</i> on page 13 and the technical data sheet for the BM 26 Basic / Advanced.
------------------------	---

### Materials

Housing	<p>Standard: Polyester-coated aluminium</p> <p>Option: Stainless steel (1.4408 / 316)</p>
Wetted materials	Standard: Stainless steel (1.4404 / 316L) bypass chamber / magnetic level indicator with a PEEK cone in the matching element and a FKM/FPM, EPDM or Kalrez® 6375 O-ring
Process seal	<p>Standard Aluminium: Metapeek process seal with O-ring</p> <p>Aluminium version with distance piece: Metaglas® process seal with O-ring</p> <p>Stainless steel version: Metaglas® process seal with O-ring</p>
Cable gland	<p>Standard: none</p> <p>Options: Plastic (Non-Ex: black, Ex ia-approved: blue); nickel-plated brass; stainless steel</p>
Weather protection (option)	Stainless steel (1.4404 / 316L)



## Process connections

The device is welded to the top of the bypass chamber of the magnetic level indicator. For more data about the process connections of the magnetic level indicator, refer to the technical data sheet for the BM 26 Basic / Advanced.

## Electrical connections

Power supply	<b>Non-Ex, Ex db- and Ex tb-approved devices</b> 14.5...32 VDC; min./max. value for an output of 22 mA at the terminals <b>Ex ia-approved devices</b> 14.5...30 VDC; min./max. value for an output of 22 mA at the terminals
Maximum current	22 mA
Current output load	$R_L [\Omega] \leq ((U_{\text{ext}} - 14.5 \text{ V}) / 22 \text{ mA})$ . For more data, refer to <i>Minimum power supply voltage</i> on page 12.
Cable entry	Standard: M20×1.5; Option: ½ NPT
Cable gland	Standard: none Options: M20×1.5 (cable diameter: 6...10 mm / 0.2...0.39"); others are available on request
Cable entry capacity (terminal)	0.5...2.5 mm <sup>2</sup>

## Input and output

<b>Current output / HART®</b>	
Output signal	4...20 mA HART® or 3.8...20.5 mA acc. to NAMUR NE 43 ④
Resolution	±3 µA
Analog temperature drift	Typically 50 ppm/K (150 ppm/K maximum)
Digital temperature drift	Typically ±5 mm / 0.2" – max. 15 mm / 0.59" for the full temperature range
Error signal	High: 22 mA; Low: 3.6 mA acc. to NAMUR NE 43

## Approvals and certification

CE	This device fulfils the statutory requirements of the EC directives. The manufacturer certifies successful testing of the product by applying the CE mark.
Vibration resistance	EN 60068-2-6 / IEC 61298-3 10-82.2 Hz: 0.15 mm; 82.2-1000 Hz: 20 m/s <sup>2</sup>
<b>Explosion protection</b>	
ATEX (Ex ia or Ex db or Ex tb) KIWA 15ATEX0022 X	II 1/2 G Ex ia IIC Tx Ga/Gb; ⑤
	II 2 D Ex ia IIIC T120°C Db (stainless steel housing only);
	II 1/2 G Ex db IIC T6...T4 Ga/Gb (stainless steel housing only);
	II 2 D Ex tb IIIC T120°C Db (stainless steel housing only)
IECEx (Ex ia or Ex db or Ex tb) IECEx KIW 15.0012 X	Ex ia IIC Tx Ga/Gb; ⑤
	Ex ia IIIC T120°C Db (stainless steel housing only);
	Ex db IIC T6...T4 Ga/Gb (stainless steel housing only);
	Ex tb IIIC T120°C Db (stainless steel housing only)

Other standards and approvals	
EMC	Electromagnetic Compatibility Directive 2004/108/EC in conjunction with EN 61326-1 (2013)
Radio approvals	<b>R &amp; TTE</b> Radio Equipment and Telecommunications Terminal Equipment Directive 1999/5/EC in conjunction with ETSI EN 302 372 (2011)
	<b>FCC Rules</b> Part 15
	<b>Industry Canada</b> RSS-210
LVD	Safety parts of the Low-Voltage Directive 2006/95/EC in conjunction with EN 61010-1 (2010)
NAMUR	NAMUR NE 43 Standardization of the Signal Level for the Failure Information of Digital Transmitters
	NAMUR NE 53 Software and Hardware of Field Devices and Signal Processing Devices with Digital Electronics
	NAMUR NE 107 Self-Monitoring and Diagnosis of Field Devices
Construction code	Option: NACE MR0175 / ISO 15156; NACE MR0103

- ① For more data, refer to the "Measuring accuracy" section in this chapter
- ② Kalrez® is a registered trademark of DuPont Performance Elastomers L.L.C. The process connection temperature must agree with the temperature limits of the gasket material.
- ③ Metaglas® is a registered trademark of Herberts Industrieglas, GMBH & Co., KG. The process connection temperature must agree with the temperature limits of the gasket material.
- ④ HART® is a registered trademark of the HART Communication Foundation
- ⑤ Tx = T6...T4 (without a distance piece) or T6...T3 (with a distance piece)

## 2.2 Measuring accuracy

Use these graphs to find the measuring accuracy for a given distance from the transmitter.

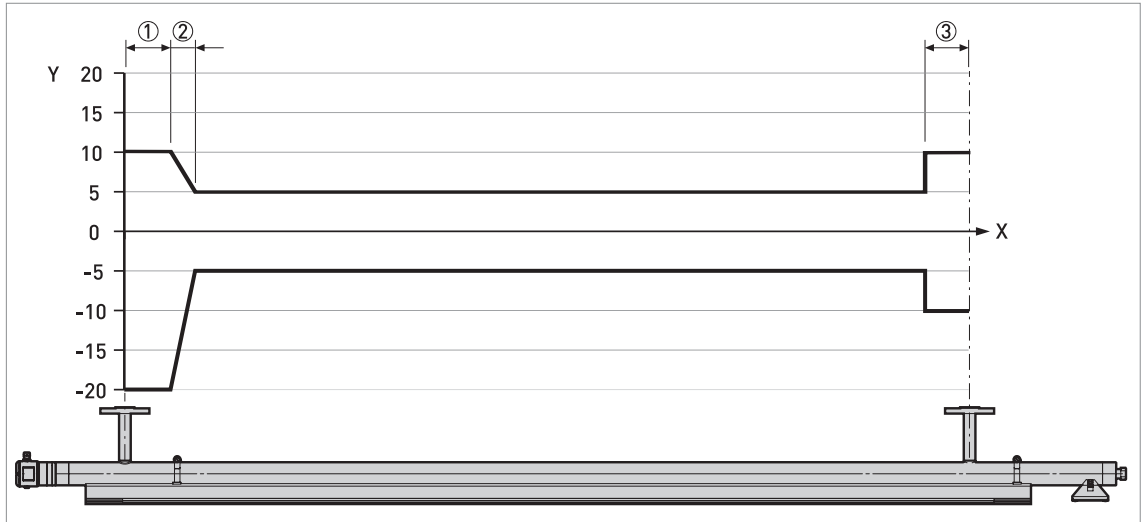


Figure 2-1: Measuring accuracy / distance from the process connections of the bypass chamber, in mm

X: Distance from the top process connection [mm]

Y: Accuracy [+yy mm / -yy mm]

①: 200 mm

②: Float offset. Refer to the "Basic parameters" menu in the DTM for the float offset value.

③: 200 mm

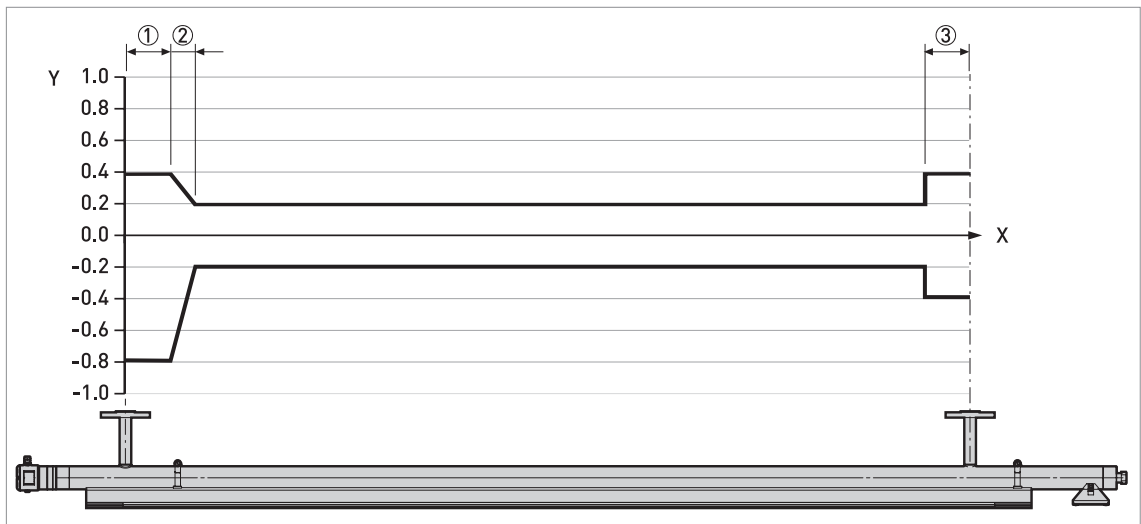


Figure 2-2: Measuring accuracy / distance from the process connections of the bypass chamber, in inches

X: Distance from the top process connection [inches]

Y: Accuracy [+yy" / -yy"]

①: 7.9"

②: Float offset. Refer to the "Basic parameters" menu in the DTM for the float offset value.

③: 7.9"

### 2.3 Minimum power supply voltage

Use these graphs to find the minimum power supply voltage for a given current output load.

#### Non-Ex devices or devices with a Hazardous Location approval (Ex db / Ex tb)

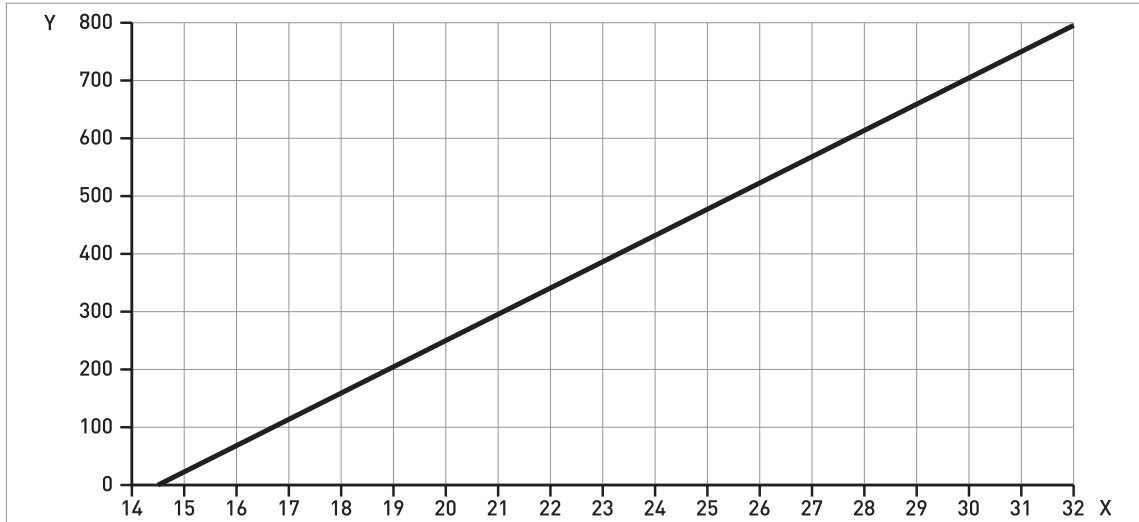


Figure 2-3: Minimum power supply voltage for an output of 22 mA at the terminal (Non-Ex devices or devices with a Hazardous Location approval (Ex db / Ex tb))

X: Power supply U [VDC]  
 Y: Current output load  $R_L$  [ $\Omega$ ]

#### Devices with a Hazardous Location approval (Ex ia)

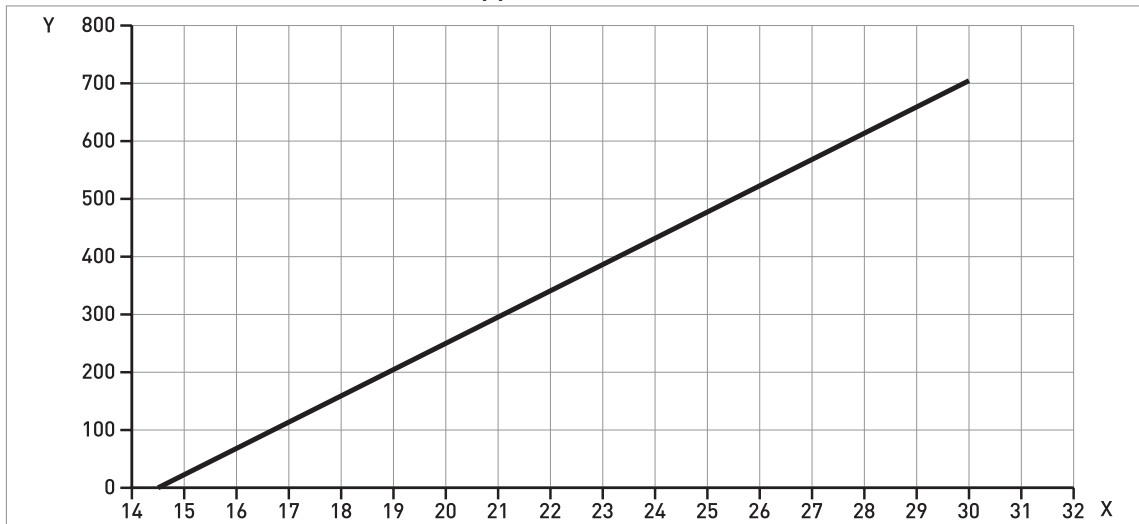


Figure 2-4: Minimum power supply voltage for an output of 22 mA at the terminal (devices with a Hazardous Location approval (Ex ia))

X: Power supply U [VDC]  
 Y: Current output load  $R_L$  [ $\Omega$ ]

## 2.4 Dimensions and weights

### Device versions

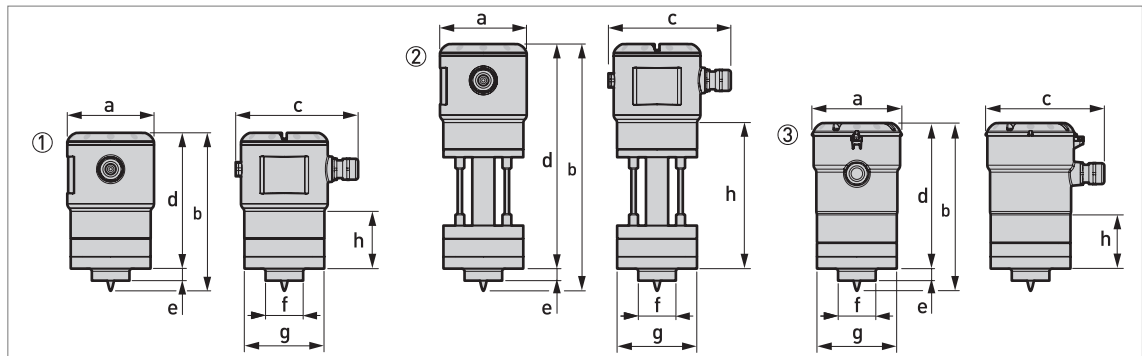


Figure 2-5: Device versions

- ① Non-Ex or Ex ia-approved device (aluminium housing – standard version)
- ② Non-Ex or Ex ia-approved device (aluminium housing – with distance piece)
- ③ Non-Ex, Ex ia- Ex db- or Ex tb-approved device (stainless steel housing)

### Device versions: Dimensions in mm and inches

Dimensions	Device versions					
	Aluminium: non-Ex or Ex ia-approved (standard)		Aluminium: non-Ex or Ex ia-approved (with distance piece)		Stainless steel: non-Ex, Ex ia, Ex db or Ex tb-approved	
	[mm]	[inches]	[mm]	[inches]	[mm]	[inches]
<b>a</b>	98	3.86	98	3.86	99.5	3.92
<b>b</b>	178	7.01	278	10.94	189	7.44
<b>c</b>	138	5.43	138	5.43	133	5.24
<b>d</b>	153	6.02	253	9.96	164	6.46
<b>e</b>	14	0.55	14	0.55	14	0.55
<b>f</b>	42.4	1.67	42.4	1.67	42.4	1.67
<b>g</b>	90	3.54	90	3.54	90	3.54
<b>h</b>	64.5	2.54	164	6.47	60	2.36

Weather protection

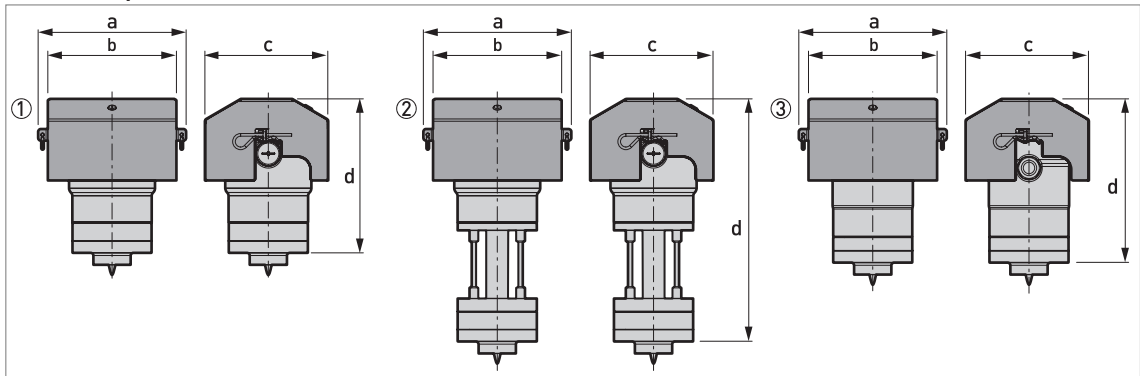


Figure 2-6: Device versions with the weather protection option

- ① Non-Ex or Ex ia-approved device (aluminium housing – standard version)
- ② Non-Ex or Ex ia-approved device (aluminium housing – with distance piece)
- ③ Non-Ex, Ex ia- Ex db- or Ex tb-approved device (stainless steel housing)

Devices with weather protection: Dimensions in mm and inches

Dimensions	Devices with weather protection					
	Aluminium: non-Ex or Ex ia-approved (standard)		Aluminium: non-Ex or Ex ia-approved (with distance piece)		Stainless steel: non-Ex, Ex ia, Ex db or Ex tb-approved	
	[mm]	[inches]	[mm]	[inches]	[mm]	[inches]
<b>a</b>	168	6.61	168	6.61	168	6.61
<b>b</b>	146	5.75	146	5.75	146	5.75
<b>c</b>	140	5.51	140	5.51	140	5.51
<b>d</b>	173.5	6.83	273.5	10.77	184.5	7.26

Weights

Type of device	Weights							
	Aluminium				Stainless steel			
	without weather protection		with weather protection		without weather protection		with weather protection	
	[kg]	[lb]	[kg]	[lb]	[kg]	[lb]	[kg]	[lb]
Standard	2.54	5.61	3.34	7.36	—	—	—	—
With distance piece	3.52	7.76	4.32	9.52	—	—	—	—

Non-Ex / intrinsically-safe (Ex ia)

Standard	2.54	5.61	3.34	7.36	—	—	—	—
With distance piece	3.52	7.76	4.32	9.52	—	—	—	—

Non-Ex / intrinsically-safe (Ex ia) / Explosion proof (Ex db) / Protected by enclosure (Ex tb)

Standard	—	—	—	—	3.85	8.49	4.65	10.25
----------	---	---	---	---	------	------	------	-------

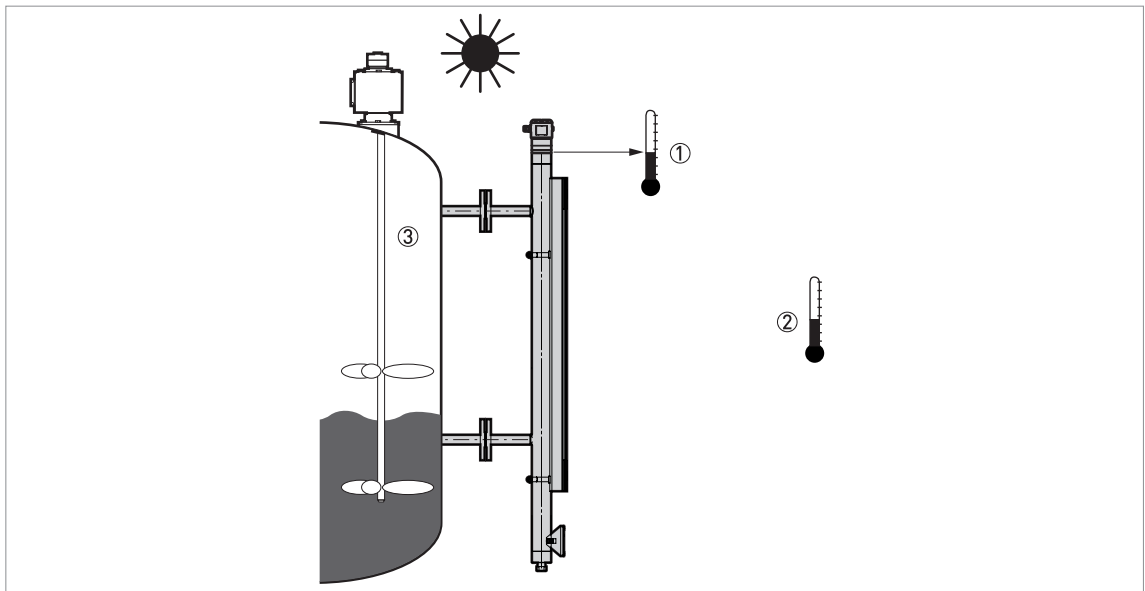
### 3.1 Pre-installation requirements

*Obey the precautions that follow to make sure that the device is correctly installed.*

- Make sure that there is sufficient space on all sides.
- Protect the signal converter from direct sunlight.
- Do not subject the signal converter to heavy vibrations.

### 3.2 Pressure and temperature ranges

*If the ambient temperature is more than +70°C / +158°F, there is a risk of injury if you touch the device. Use a protective cover or metallic grid to prevent injury.*



**Figure 3-1: Pressure and temperature ranges**

- ① Bypass chamber temperature  
Non-Ex devices: Depends on the device versions and the seal material. Refer to the table that follows.  
Ex devices: see supplementary operating instructions
- ② Ambient temperature  
Non-Ex devices: -40...+85°C / -40...+185°F  
Ex devices: see supplementary operating instructions
- ③ Process pressure  
Depends on the type of seal and process connection. Refer to the table that follows.

## Aluminium housing for non-Ex and Ex ia-approved devices

Version	Seal	Distance piece	Bypass chamber temperature		Process pressure	
			[°C]	[°F]	[barg]	[psig]
Metapeek	FKM/FPM with Metapeek	without	-40...+100	-40...+212	-1...16	-14.5...232
	Kalrez® 6375 with Metapeek	without	-20...+100	-4...+212		
	EPDM with Metapeek	without	-40...+100	-40...+212		
Metaglas® and distance piece	FKM/FPM with Metaglas®	with	-40...+150	-40...+302	-1...40	-14.5...580
	Kalrez® 6375 with Metaglas®	with	-20...+150	-4...+302		
	EPDM with Metaglas®	with	-40...+150	-40...+302		

## Stainless steel housing for non-Ex , Ex ia-, Ex db- and Ex tb-approved devices

Version	Seal	Distance piece	Bypass chamber temperature		Process pressure	
			[°C]	[°F]	[barg]	[psig]
Metaglas®	FKM/FPM with Metaglas®	without	-40...+120	-40...+248	-1...40	-14.5...580
	Kalrez® 6375 with Metaglas®	without	-20...+120	-4...+248		
	EPDM with Metaglas®	without	-40...+120	-40...+248		



## Ambient temperature / process temperature, in °C

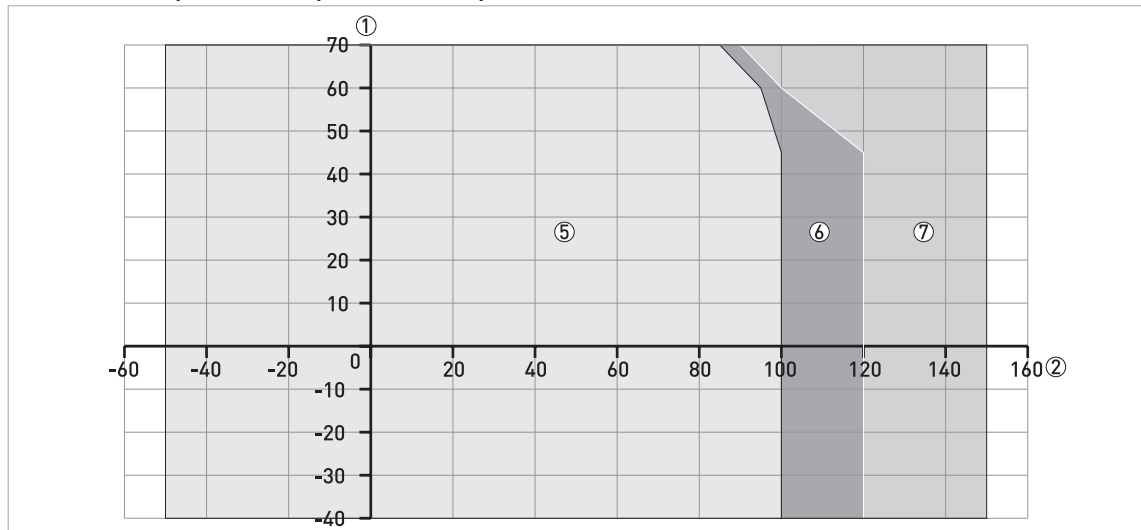


Figure 3-2: Ambient temperature / process temperature, in °C

## Ambient temperature / process temperature, in °F

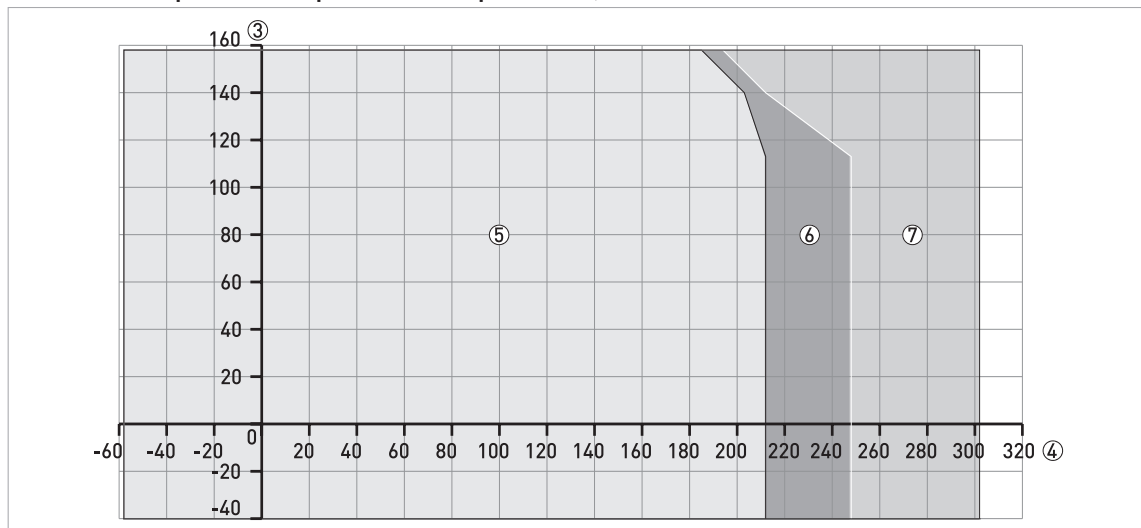


Figure 3-3: Ambient temperature / process temperature, in °F

- ① Maximum ambient temperature, °C
- ② Maximum process temperature, °C
- ③ Maximum ambient temperature, °F
- ④ Maximum process temperature, °F
- ⑤ Device with aluminium housing
- ⑥ Device with stainless steel housing
- ⑦ Device with aluminium housing and distance piece

The maximum ambient temperature for non-Ex devices is +85°C / +185°F. The process connection temperature must agree with the temperature limits of the gasket material.

### 3.3 Recommended mounting position

Follow these recommendations to make sure that the device measures correctly. They have an effect on the performance of the device.

Make sure that the cable glands are aligned with the process connections of the bypass chamber.

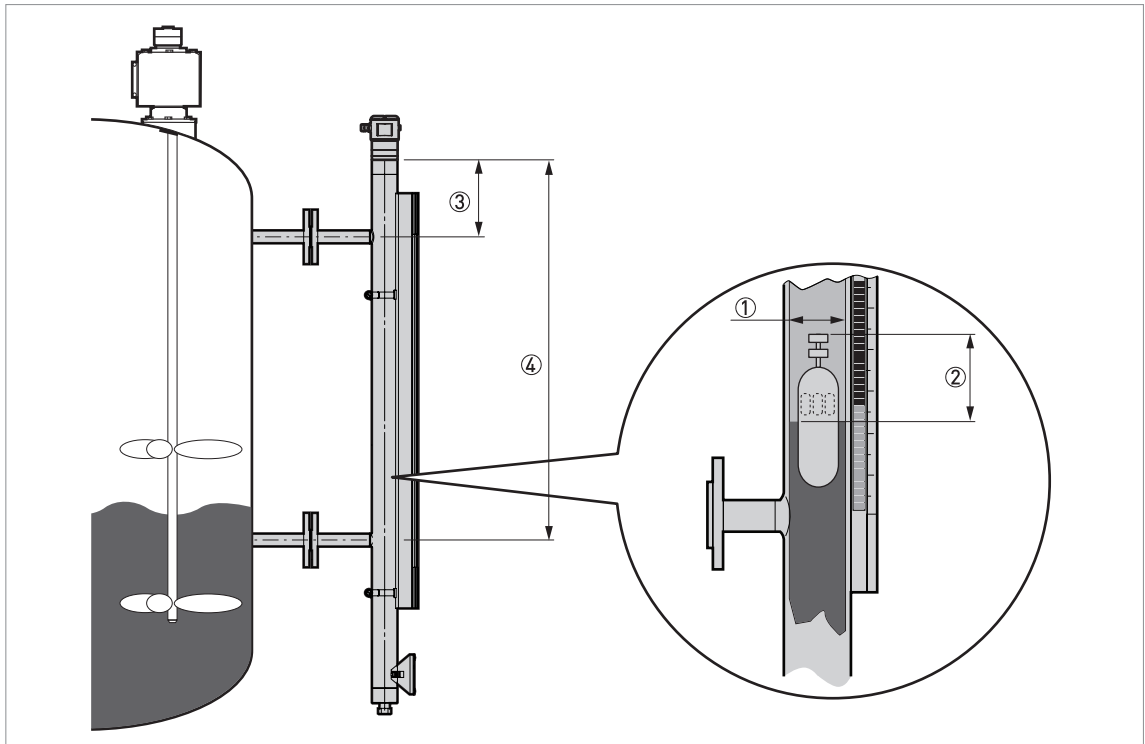


Figure 3-4: Recommended mounting position

- ① Internal tube diameter. Min. ... Max.: 38...56 mm / 1.50...2.20"
- ② Float offset (the distance between the surface of the liquid and the radar target on top of the float).  
Min. ... Max.: 0...200 mm / 0...7.87"
- ③ Distance to top process connection (bypass chamber) = minimum distance (refer to the "basic parameters" menu in the DTM)
- ④ Distance to bottom process connection (bypass chamber) = maximum distance (refer to the "basic parameters" menu in the DTM)

### 3.4 Mounting restrictions

Follow these recommendations to make sure that the device measures correctly. They have an effect on the performance of the device.

*If the device uses a float to measure the level of the liquid, slowly pressurize the bypass chamber. A float can damage the PEEK cone of the radar level transmitter at the top of the bypass chamber.*

*If there are parasitic signals, the device will not measure correctly. Parasitic signals are caused by sudden changes in bypass chamber diameter in the path of the radar beam.*

## 4.1 Electrical installation: 2-wire, loop-powered

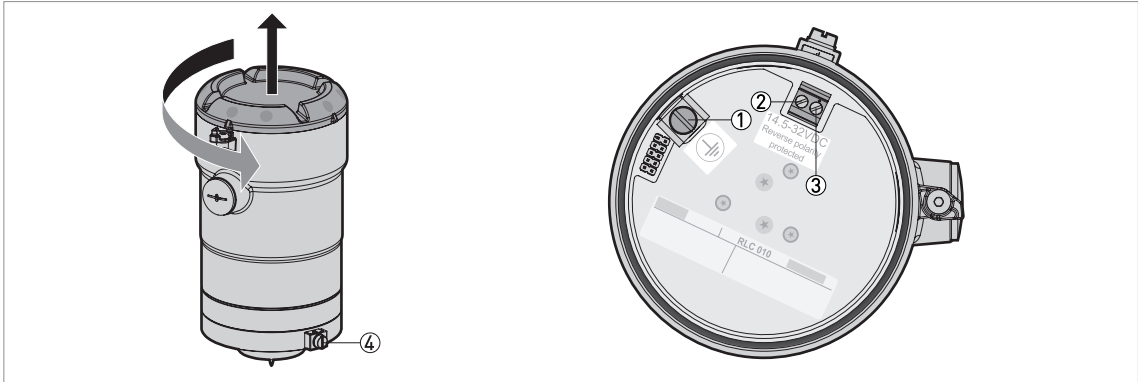


Figure 4-1: Terminals for electrical installation

- ① Grounding terminal in the housing (if the electrical cable is shielded)
- ② Current output terminal – polarity insensitive
- ③ Current output terminal – polarity insensitive
- ④ External ground connection

*Electrical power to the output terminal energizes the device. The output terminal is also used for HART® communication.*

## 4.2 Electrical connection for current output

### 4.2.1 Non-Ex devices

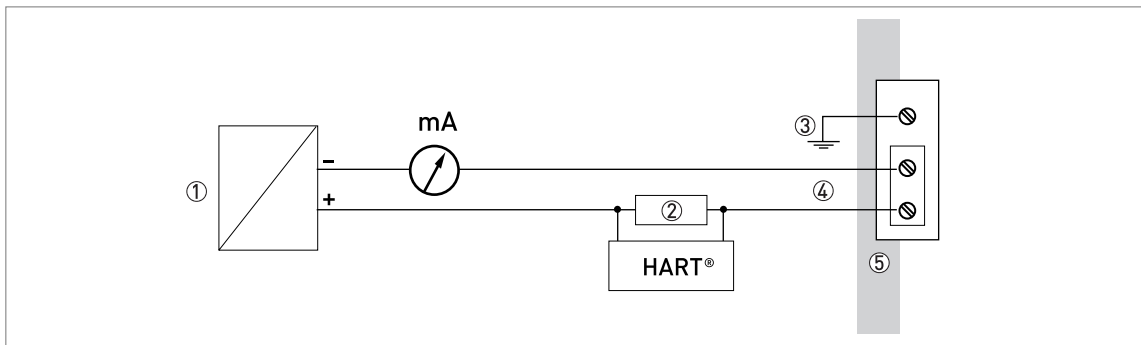


Figure 4-2: Electrical connections for non-Ex devices

- ① Power supply
- ② Resistor for HART® communication
- ③ Optional connection to the grounding terminal
- ④ Output: 14.5...32 VDC for an output of 22 mA at the terminal
- ⑤ Device

*Electrical polarity has no effect on device operation.*

### 4.2.2 Devices for hazardous locations

For electrical data for device operation in hazardous locations, refer to the related certificates of compliance and supplementary instructions (ATEX, IECEx etc.). You can find this documentation on the DVD-ROM delivered with the device or it can be downloaded free of charge from the website (Download Center).

## 4.3 Networks

### 4.3.1 General information

The device uses the HART® communication protocol. This protocol agrees with the HART® Communication Foundation standard. The device can be connected point-to-point. It can also operate in a network with a device address from 1 to 63.

The device output is factory-set to communicate point-to-point. To change the communication mode from **point-to-point** to **multi-drop**, refer to "HART" in the handbook.

### 4.3.2 Point-to-point connection

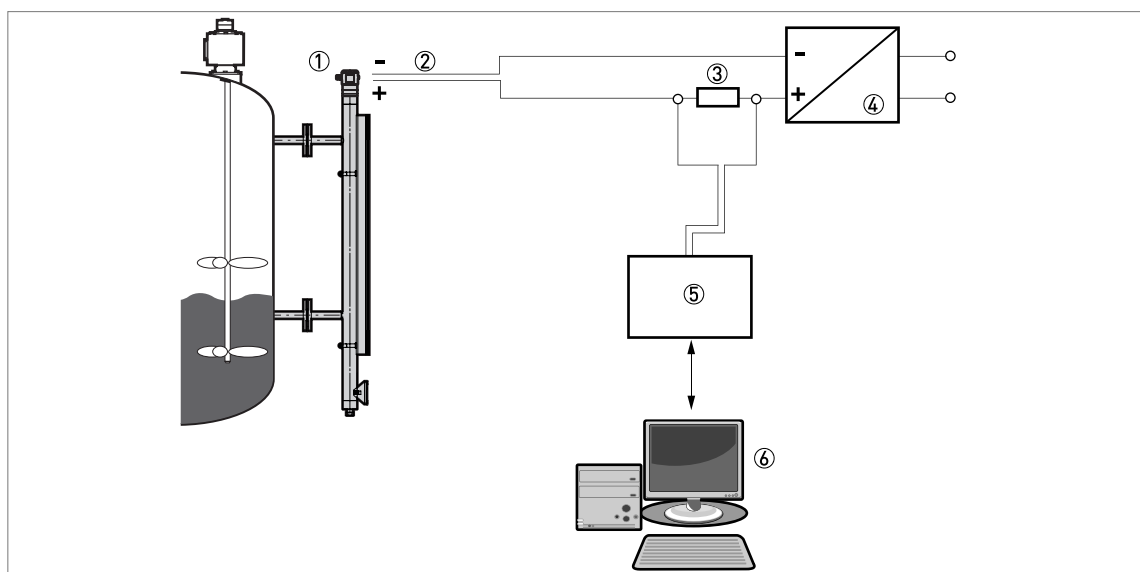


Figure 4-3: Point-to-point connection (non-Ex)

- ① Address of the device (0 for point-to-point connection)
- ② 4...20 mA + HART®
- ③ Resistor for HART® communication
- ④ Power supply
- ⑤ HART® converter
- ⑥ HART® communication software

## 4.3.3 Multi-drop networks

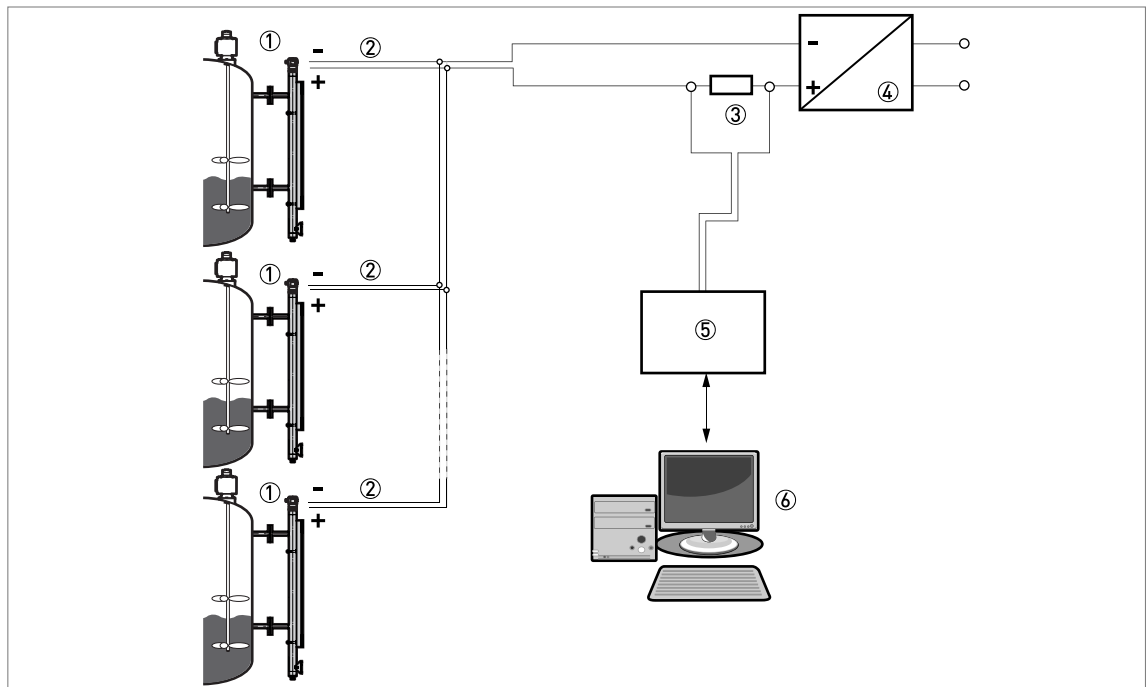


Figure 4-4: Multi-drop network (non-Ex)

- ① Address of the device (each device must have a different address in multidrop networks)
- ② 4 mA + HART®
- ③ Resistor for HART® communication
- ④ Power supply
- ⑤ HART® converter
- ⑥ HART® communication software

## 5.1 Order code

The measuring system has 2 parts:

- The OPTIWAVE 1010 radar (FMCW) level transmitter. Give the order code – refer to the table that follows.
- The BM26 Advanced (magnetic level indicator (MLI) or bypass chamber). Give the order code – refer to the table for the **Advanced version (with OPTIWAVE 1010)** in the BM26 Basic/Advanced technical data sheet

Make a selection from each column to get the full order code. The characters of the order code highlighted in light grey describe the standard.

VF01	4	<b>OPTIWAVE 1010 Non-Contact Radar (FMCW) Level Transmitter</b>
		<b>Converter version (Housing material – protection class)</b>
	1	OPTIWAVE 1010: Compact version (Aluminium – IP66 / IP67)
	2	OPTIWAVE 1010: Compact version (Stainless steel – IP66 / IP67)
		<b>Approval ①</b>
	0	Without
	1	ATEX II 1/2 G Ex ia IIC Tx Ga/Gb + II 2 D Ex ia IIIC T120°C ②
	2	ATEX II 1/2 G Ex db IIC T6...T4 Ga/Gb + II 2 D Ex tb IIIC T120°C Db ③
	6	IECEx Ex ia IIC Tx Ga/Gb + Ex ia IIIC T120°C Db ④
	7	IECEx Ex db IIC T6...T4 Ga/Gb + Ex tb IIIC T120°C Db ⑤
		<b>Other approval</b>
	0	Without
	B	EAC Russia ⑥
	C	EAC Belarus ⑥
	K	EAC Kazakhstan ⑥
		<b>Process seal – Temperature / Pressure / Material / Remarks (material to be checked by the customer)</b>
	0	Without
	1	-40°C...+100°C [-40°F...+212°F] / -1...16 barg [-14.5...232 psig] / FKM/FPM / aluminium housing and Metapeek process seal
	2	-40°C...+100°C [-40°F...+212°F] / -1...16 barg [-14.5...232 psig] / EPDM / aluminium housing and Metapeek process seal
	3	-20°C...+100°C [-4°F...+212°F] / -1...16 barg [-14.5...232 psig] / Kalrez® 6375 / aluminium housing and Metapeek process seal
	5	-40°C...+150°C [-40°F...+302°F] / -1...40 barg [-14.5...580 psig] / FKM/FPM / aluminium housing, Metaglas® process seal and distance piece
	6	-40°C...+150°C [-40°F...+302°F] / -1...40 barg [-14.5...580 psig] / EPDM / aluminium housing, Metaglas® process seal and distance piece
	7	-20°C...+150°C [-4°F...+302°F] / -1...40 barg [-14.5...580 psig] / Kalrez® 6375 / aluminium housing, Metaglas® process seal and distance piece
	A	-40°C...+120°C [-40°F...+248°F] / -1...40 barg [-14.5...580 psig] / FKM/FPM / stainless steel housing and Metaglas® process seal
	B	-40°C...+120°C [-40°F...+248°F] / -1...40 barg [-14.5...580 psig] / EPDM / stainless steel housing and Metaglas® process seal
	C	-20°C...+120°C [-4°F...+248°F] / -1...40 barg [-14.5...580 psig] / Kalrez® 6375 / stainless steel housing and Metaglas® process seal
VF01	4	<b>Order code (complete this code on the pages that follow)</b>



## 5.2 Accessories

We supply accessories for this device. When you send an order for accessories, please give the reference numbers that follow:

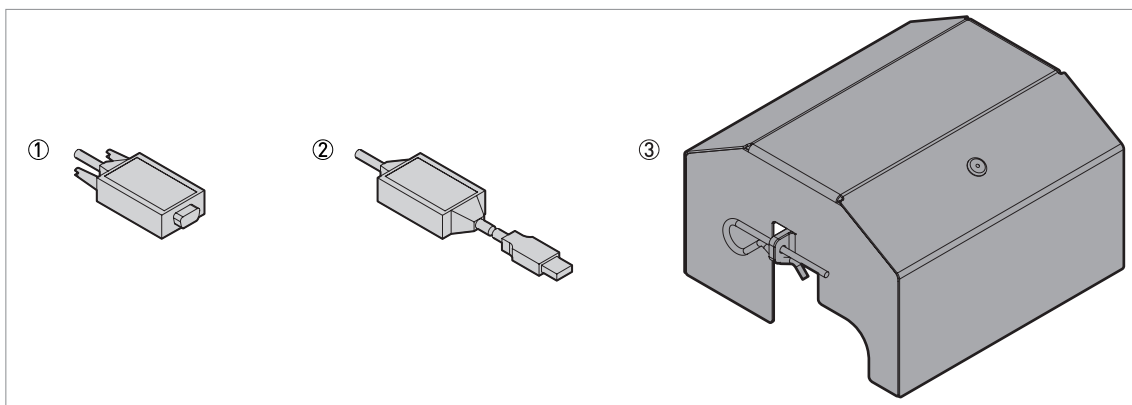


Figure 5-1: Accessories

- ① Viator RS232 / HART converter
- ② Viator USB / HART converter
- ③ 316L stainless steel weather protection

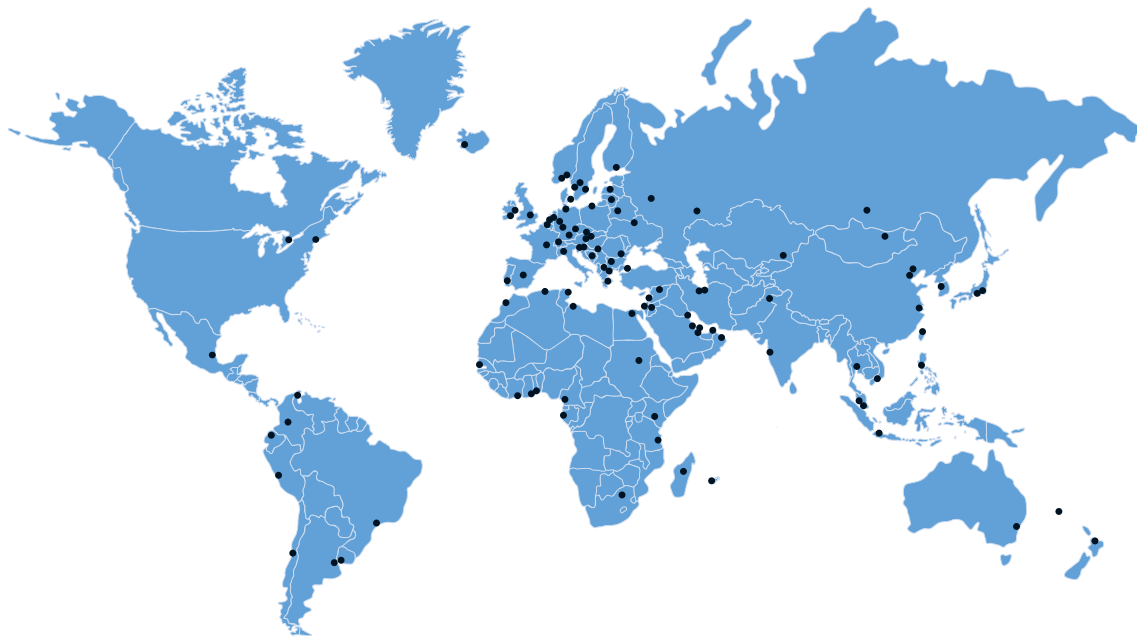
Item	Description	Quantity	Part reference
①	Viator RS232 / HART converter	1	XF50020600
②	Viator USB / HART converter	1	XF50020700
③	316L stainless steel weather protection	1	XF01090100











## KROHNE – Process instrumentation and measurement solutions

- Flow
- Level
- Temperature
- Pressure
- Process Analysis
- Services

Head Office KROHNE Messtechnik GmbH  
Ludwig-Krohne-Str. 5  
47058 Duisburg (Germany)  
Tel.: +49 203 301 0  
Fax: +49 203 301 10389  
info@krohne.com

The current list of all KROHNE contacts and addresses can be found at:  
[www.krohne.com](http://www.krohne.com)

**KROHNE**