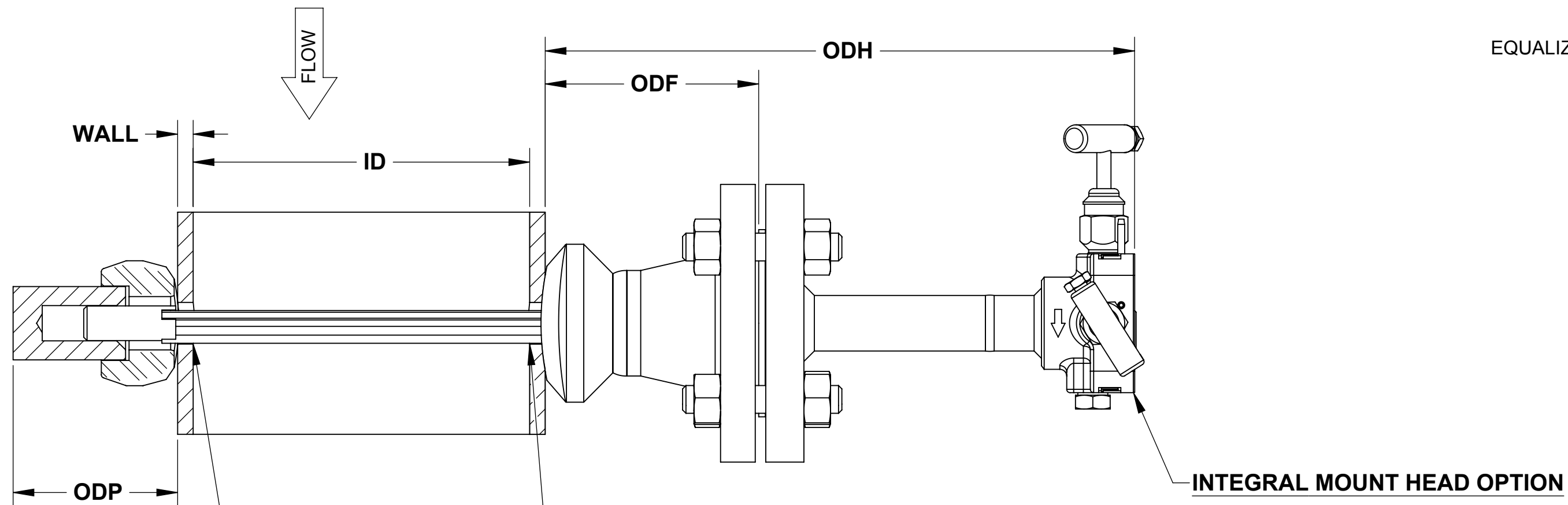
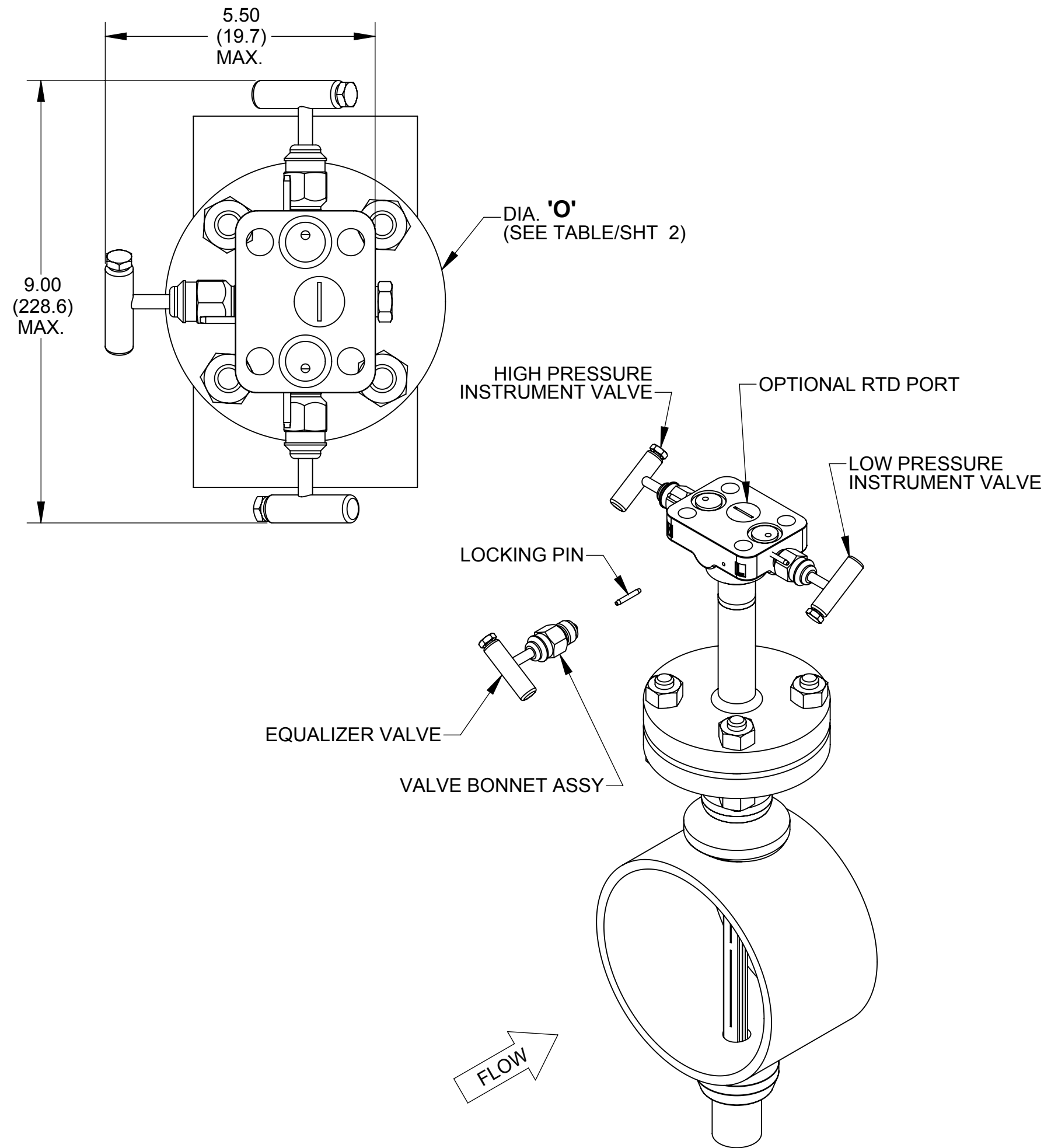
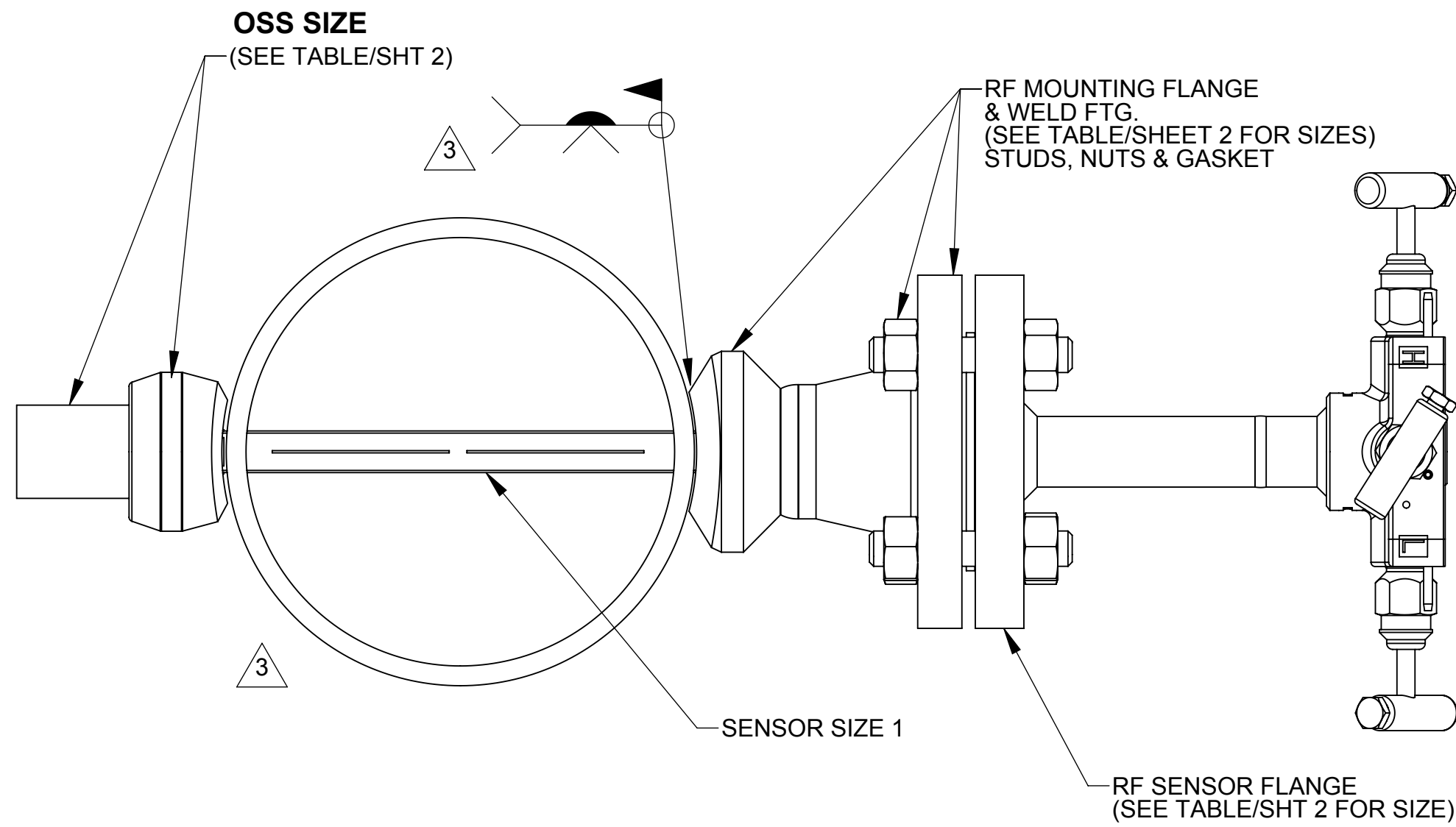


| REVISIONS | | | | |
|-----------|---------------------------|------------|-------|----------|
| REV | DESCRIPTION | CHG.NO. | APP'D | DATE |
| AF | ADDED 3051CFx AND 2051CFx | DSI1003150 | JR | 02/15/10 |

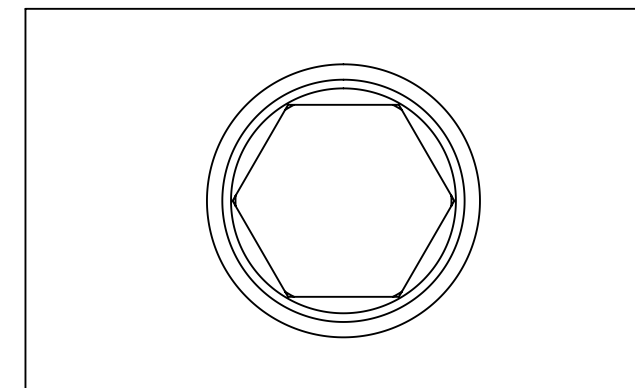
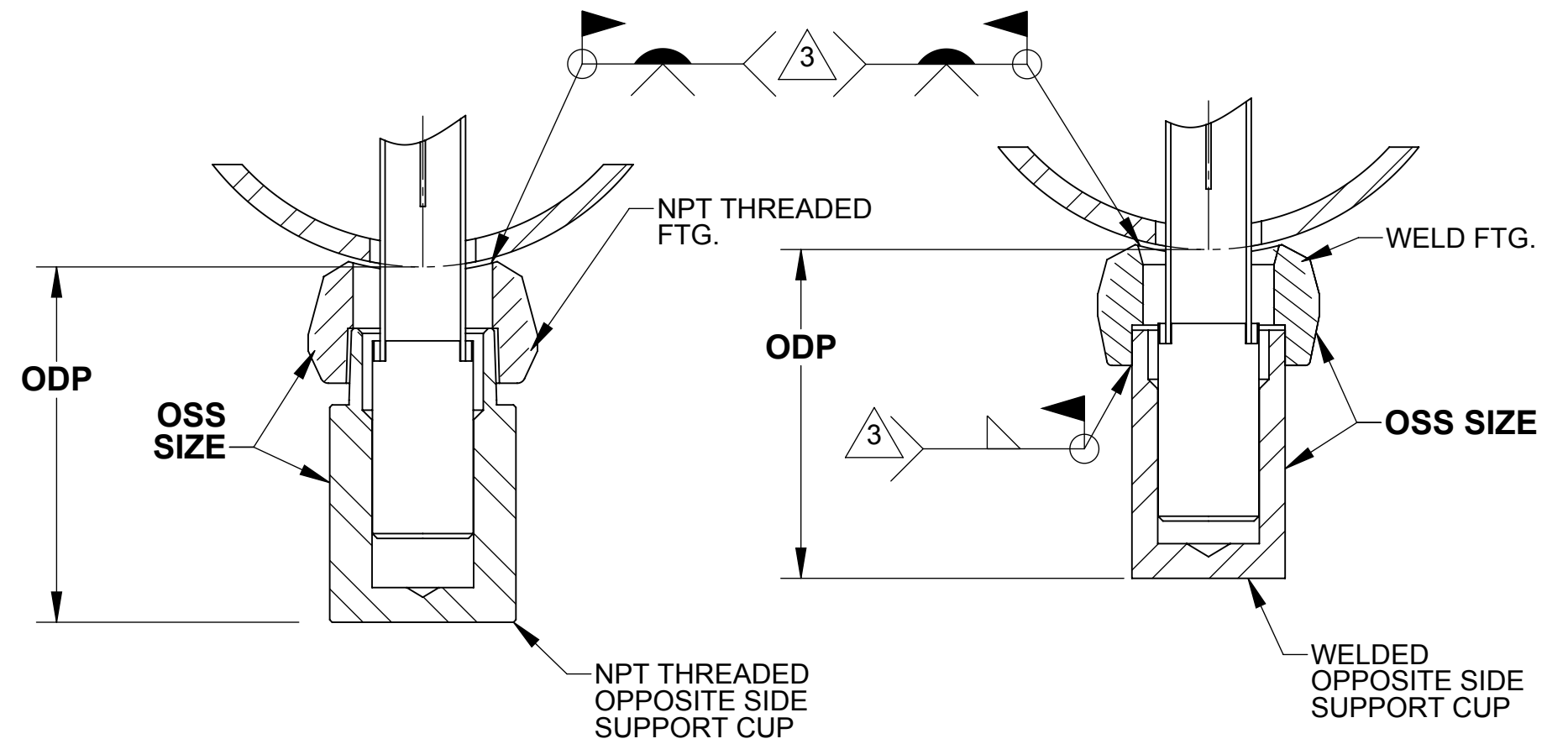


NOTICE
 FOR ACCURATE FLOW MEASUREMENT
 THE CORRECT HOLE SIZE IN PIPE MUST BE:
3/4 INCH (19mm)
 DO NOT DRILL OVERSIZE
 DO NOT TORCH CUT HOLE

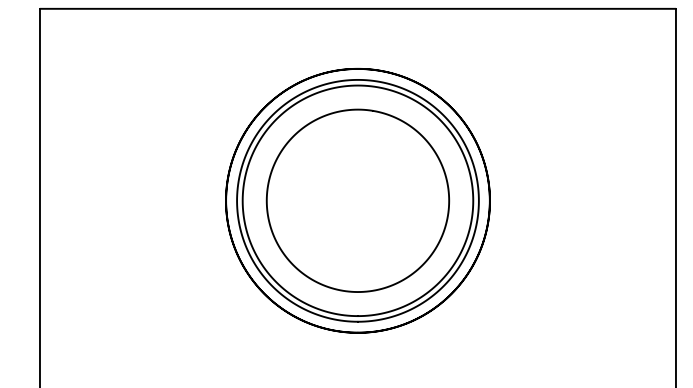
**INTEGRAL MOUNT WITH
 OPPOSITE SIDE SUPPORT**
 (150# THRU 600# ANSI SHOWN)

| | | | | | |
|---|--|--------------------|--------|--|-------------------------------|
| *UNLESS OTHERWISE SPECIFIED DIMENSIONS IN INCHES (MM) *ALL DIMENSIONS ARE NOMINAL AND ARE FOR REFERENCE ONLY | | TYPE I | | ROSEMOUNT® BOULDER, COLORADO | |
| | | DR. jpaylor | 4/1/05 | TITLE DIMENSION DRAWING, MODEL 485 ANNUBAR FLOWMETER (3051SFA, 3051CFA 2051CFA, 3095MFA) SENSOR SIZE 1 FLANGED 150# - 2500# ANSI | |
| | | APPROVAL | | SIZE A | DRAWING NO. 00485-1011 |
| | | DRAWING MONTGOMERY | | 6/15/05 | SCALE: NONE |
| | | TAGGING | | | SHEET 1 OF 5 |
| SPECIALS | | | | | |

| Flanged | | | | | | | | | | | |
|-------------|-------------------|---------------|------------------------|---------------|---------------|----------------|-------------------|----------------|---------------|--------------|----------------|
| Sensor Size | Min. Rod Reynolds | Probe Width* | 3-valve DM head width* | Flange Rating | BFT* | O* | Flange Size (NPS) | ODF* | ODH* max | ODP* max | OSS Size (NPS) |
| 1 | 6500 | 0.590 (14.99) | 9.00 (229.0) | 150# ANSI | 0.688 (17.48) | 5.000 (127.00) | 1-1/2sch80 | 3.880 (98.56) | 11.00 (279.4) | 3.50 (88.9) | 1sch80 |
| | | | | 300# ANSI | 0.813 (20.65) | 6.120 (155.45) | | 4.130 (104.91) | | | |
| | | | | 600# ANSI | 1.130 (28.71) | | | 4.400 (112.78) | | | |
| | | | | 900# ANSI | 1.500 (38.10) | 7.000 (177.80) | | 4.940 (125.48) | | | |
| | | | | 1500# ANSI | 2.000 (50.80) | 8.000 (203.2) | 1-1/2schXXS | 6.760 (171.71) | 11.64 (295.6) | 4.00 (101.6) | 1-1/2schXXS |
| | | | | DN/PN 16 | 0.630 (16.01) | 5.906 (150.01) | DN40 | 3.090 (78.49) | 11.00 (279.4) | 3.50 (88.9) | 1sch80 |
| | | | | DN/PN 40 | 0.709 (18.01) | | | 3.210 (81.54) | | | |
| | | | | DN/PN 100 | 1.024 (26.01) | 6.693 (170.00) | | 3.880 (98.56) | | | |
| | | | | 150# RTJ | 0.875 (22.23) | 5.000 (127.00) | 1-1/2sch80 | 4.060 (103.13) | 11.00 (279.4) | 3.50 (88.9) | 1sch80 |
| | | | | 300# RTJ | 1.000 (25.40) | 6.120 (155.45) | | 4.310 (109.48) | | | |
| | | | | 600# RTJ | 1.130 (28.71) | | | 4.630 (117.61) | | | |
| | | | | 900# RTJ | 1.500 (38.10) | 7.000 (177.80) | | 4.940 (125.48) | | | |
| | | | | 1500# RTJ | 2.063 (52.40) | 8.000 (203.20) | 1-1/2schXXS | 6.810 (172.98) | 11.75 (298.4) | 4.00 (101.6) | 1-1/2schXXS |



TIP OPTION 'C'
EXTENDED TIP/NPT THREADED



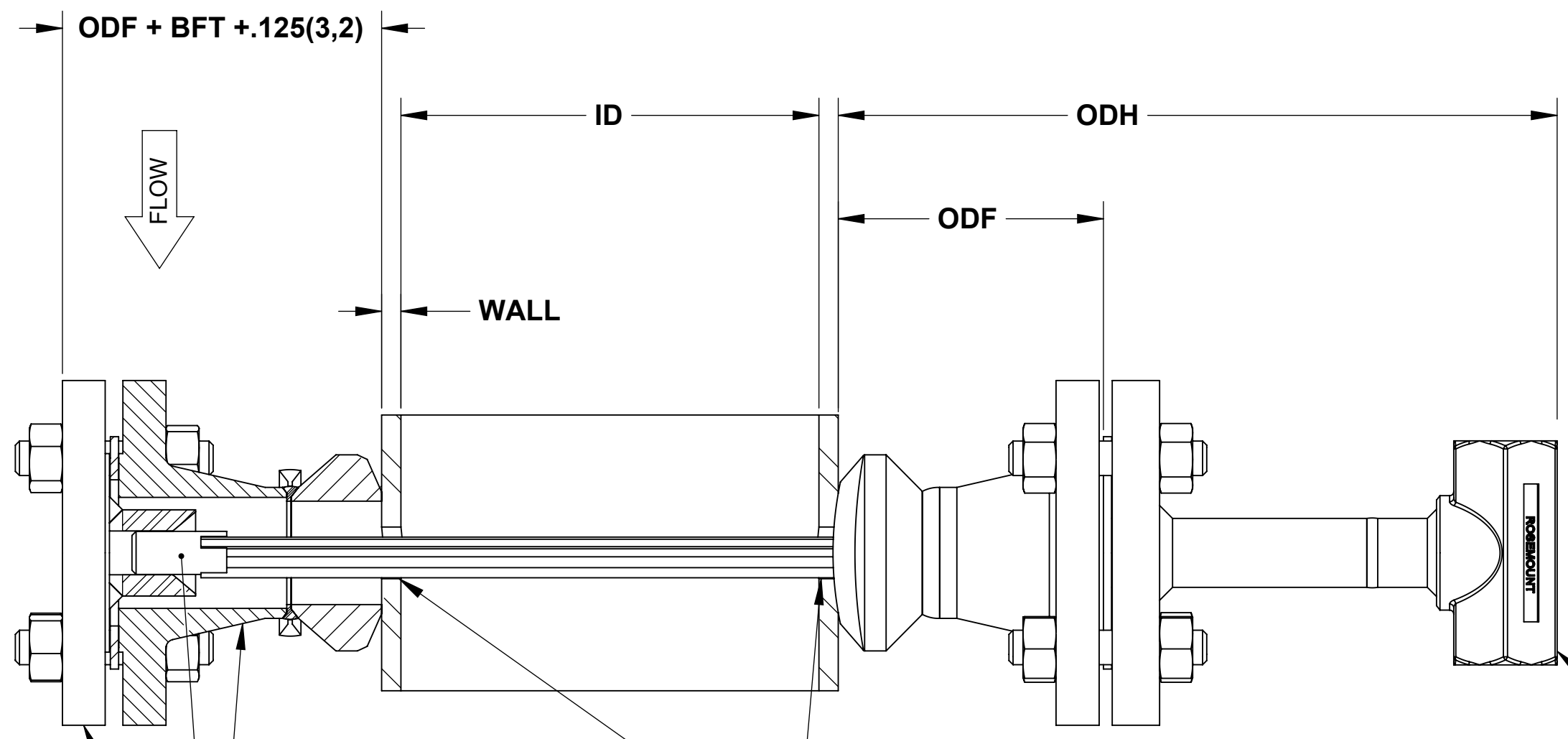
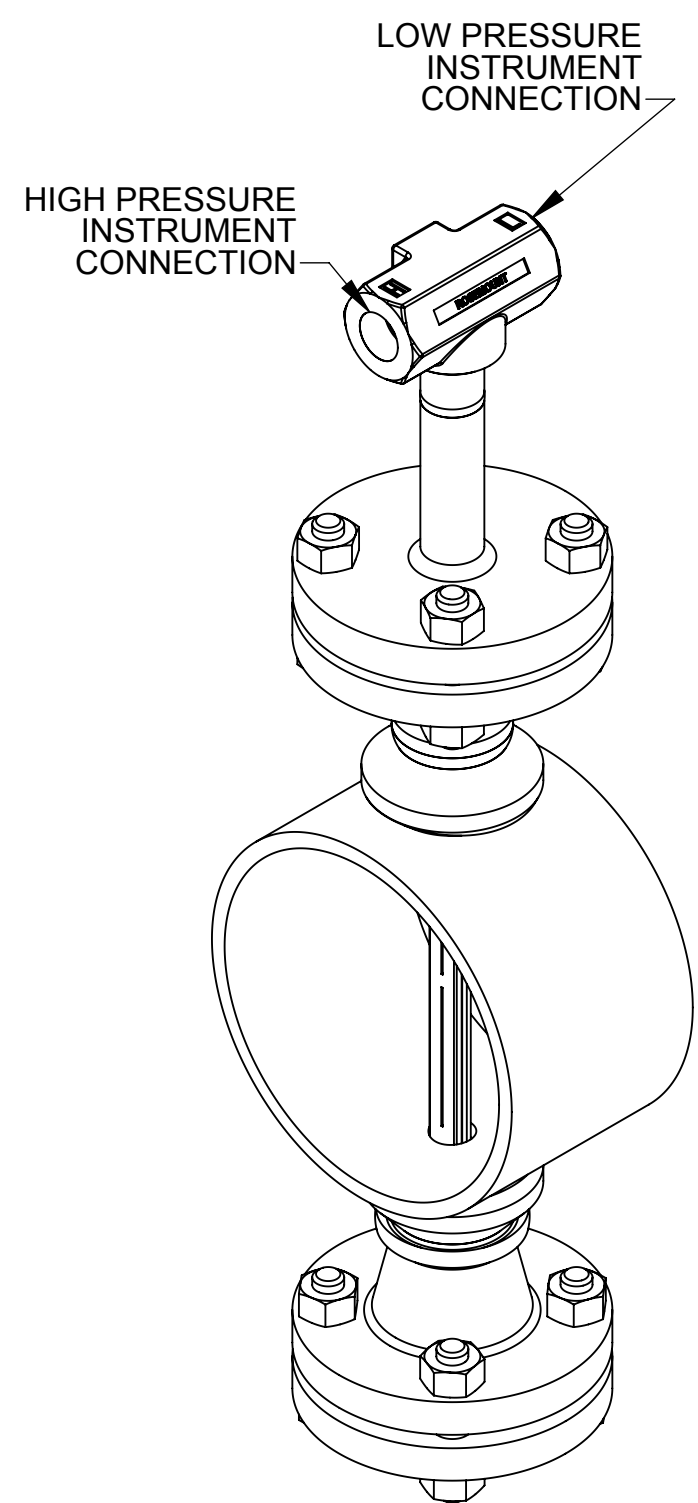
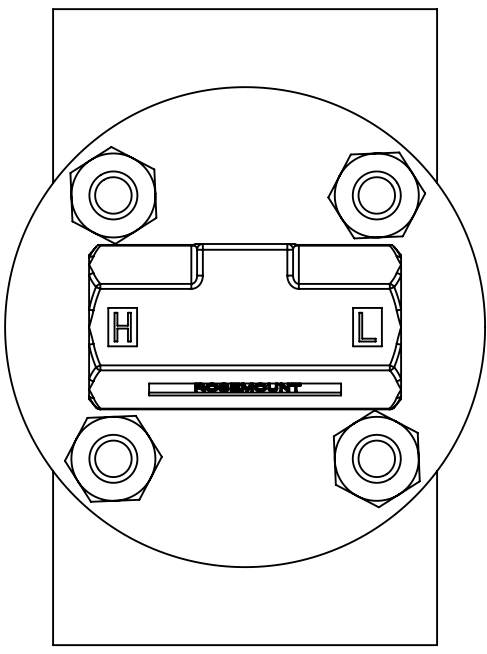
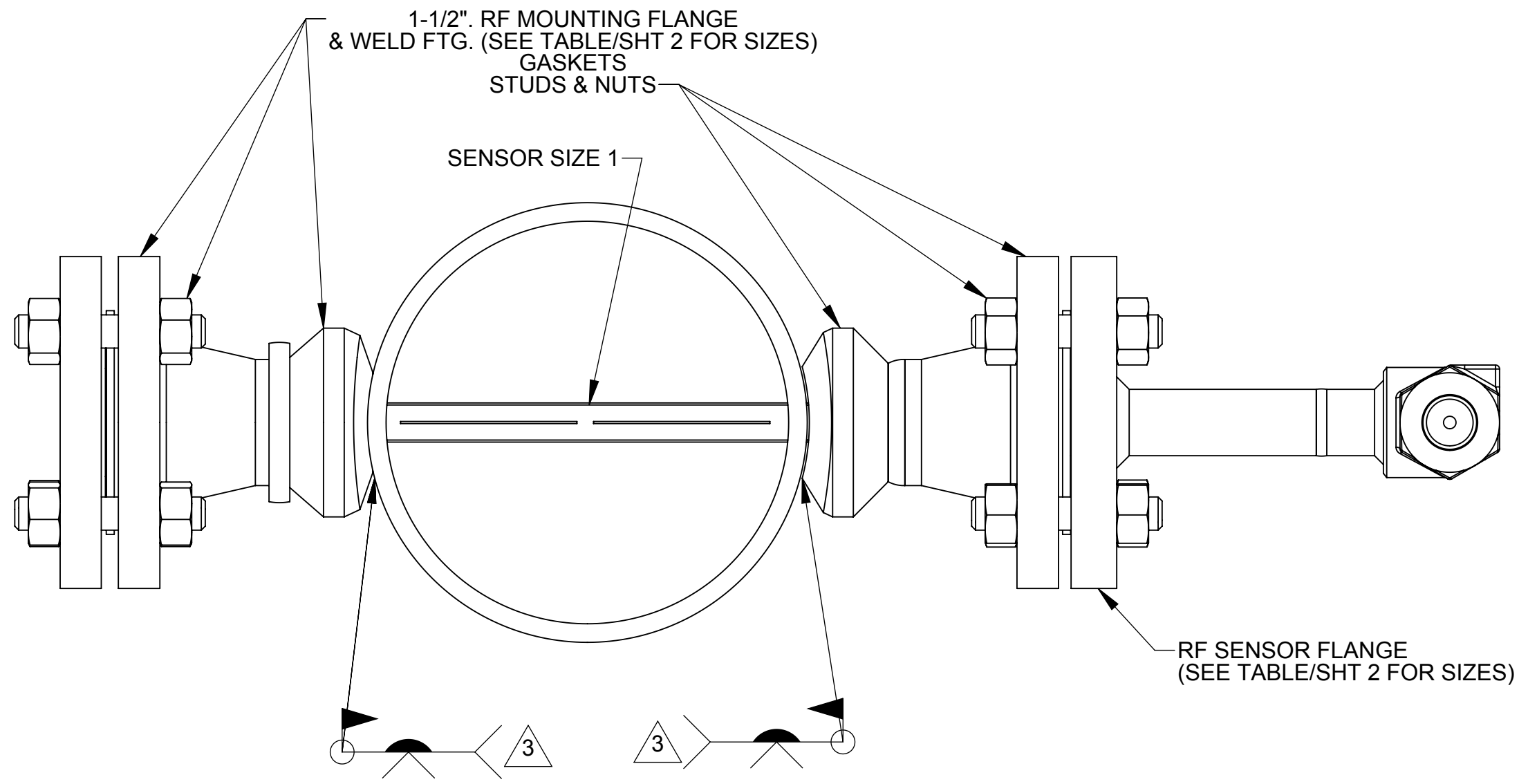
TIP OPTION 'D'
EXTENDED TIP/WELDED

OPPOSITE SIDE SUPPORT OPTIONS

NOTES:

- ROSEMOUNT INC. CERTIFIES THIS DRAWING IS IN ACCORDANCE WITH ROSEMOUNT ENGINEERING SPECIFICATIONS AND ACCURATELY REPRESENTS THE EQUIPMENT FURNISHED.
- ALL ORIENTATIONS SHOWN FOR REFERENCE ONLY. FOR ACTUAL RECOMMENDED LOCATIONS AND ORIENTATIONS REFER TO INSTALLATION INSTRUCTION MANUAL 00809-0100-4809, QUICK INSTALLATION GUIDE (QIG) 00825-0100-4809.
- FIELD WELD. REFER TO INSTALLATION INSTRUCTIONS FOR WELD REQUIREMENTS.
- MAXIMUM PRESSURE: 2500# ANSI EQUIVALENT (6,000 PSIG AT 100°F/ 41368.54Kpa g @ 37.8°C) FOR 316SS.
- MAX TEMPERATURE: 500°F (260°C) FOR INTEGRAL TRANSMITTER MOUNTING
850°F (454.4°C) FOR STAINLESS STEEL REMOTE TRANSMITTER MOUNTING
1250°F (676.7°C) FOR HASTELLOY REMOTE TRANSMITTER MOUNTING
- FOR MODEL SELECTIONS, REFER TO ROSEMOUNT PRODUCT DATA SHEETS.

| | | |
|-------------------|----------|----------------------------------|
| ROSEMOUNT® | | |
| BOULDER, COLORADO | | |
| SIZE A | FSCM.NO. | DRAWING NO. 00485-1011 |
| SCALE: NONE | WT. | SHEET 2 OF 5 |



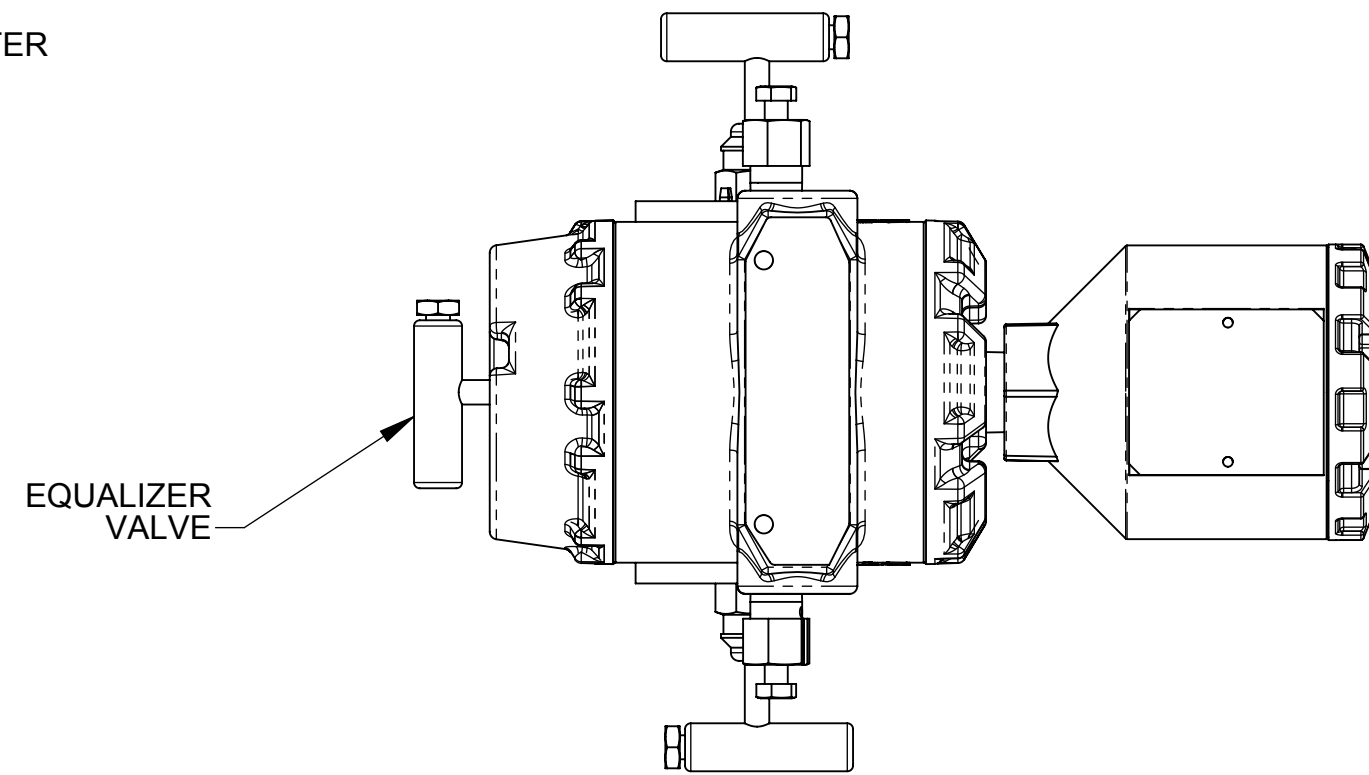
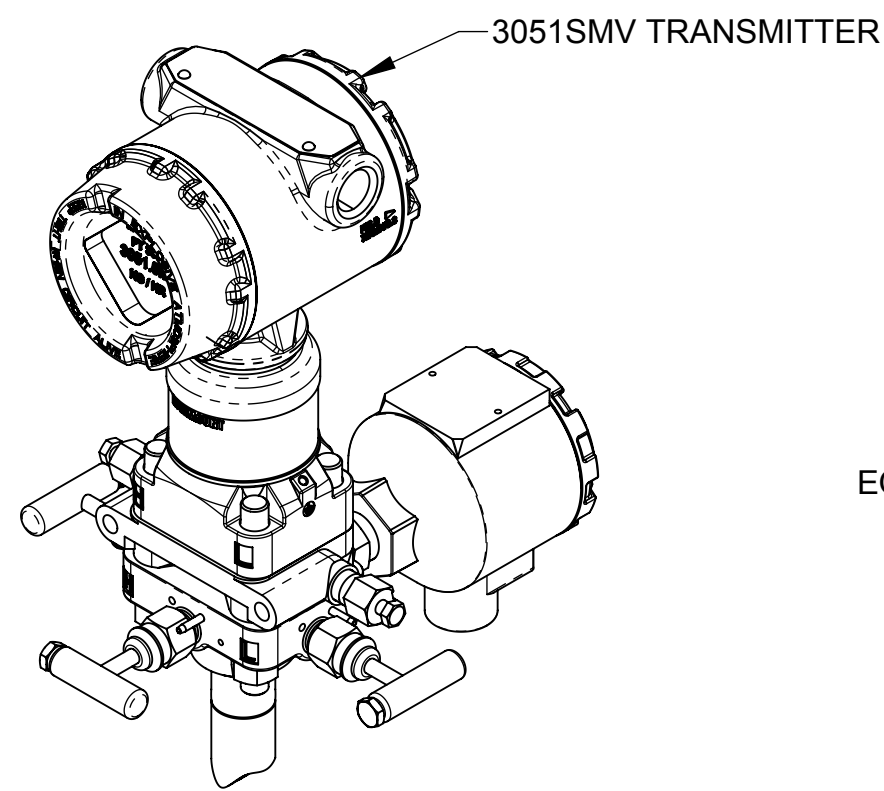
NOTICE
 FOR ACCURATE FLOW MEASUREMENT
 THE CORRECT HOLE SIZE IN PIPE MUST BE:
3/4 INCH (19mm)
 DO NOT DRILL OVERSIZE
 DO NOT TORCH CUT HOLE

FLANGED OPPOSITE
 SIDE SUPPORT ASSY.

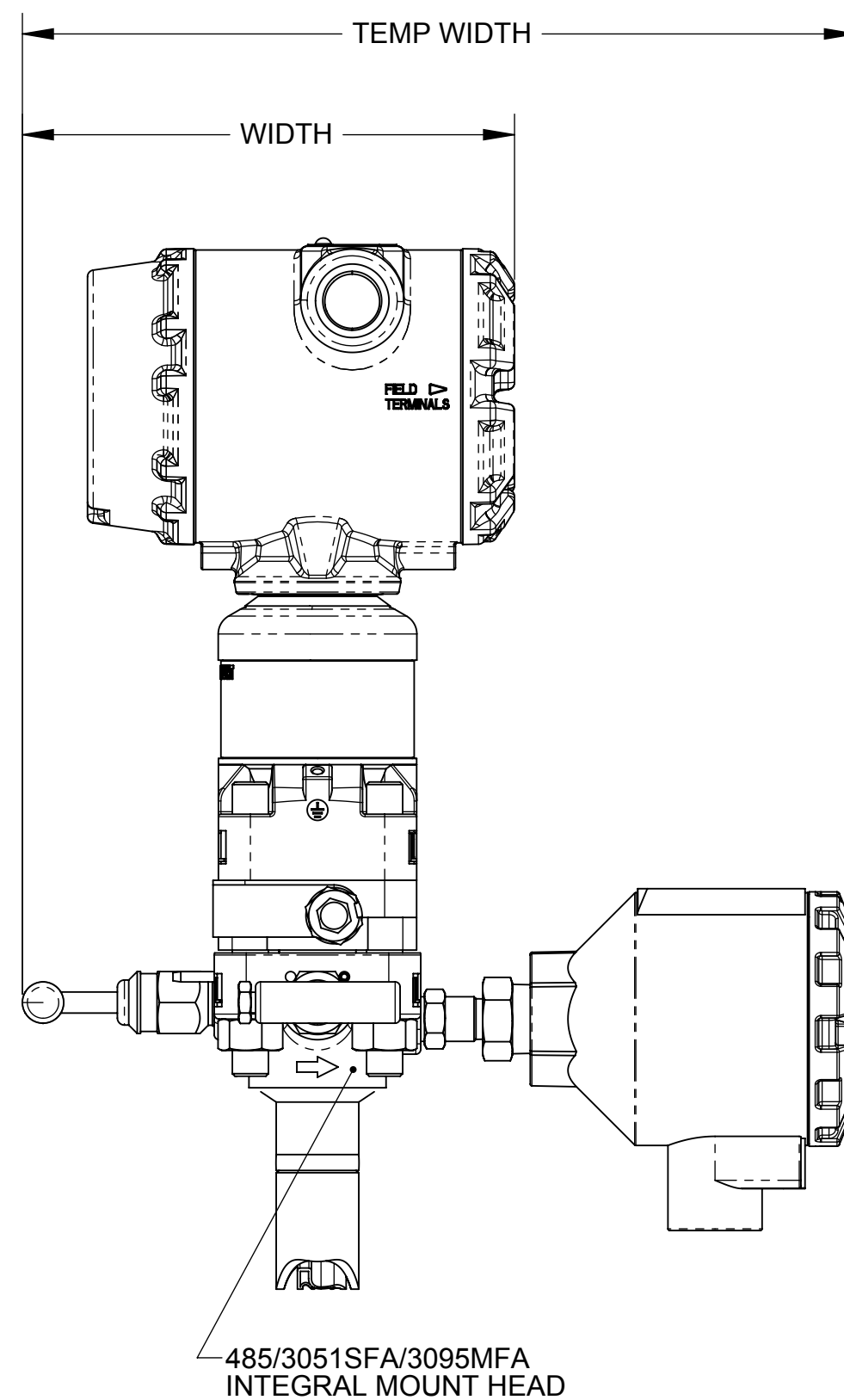
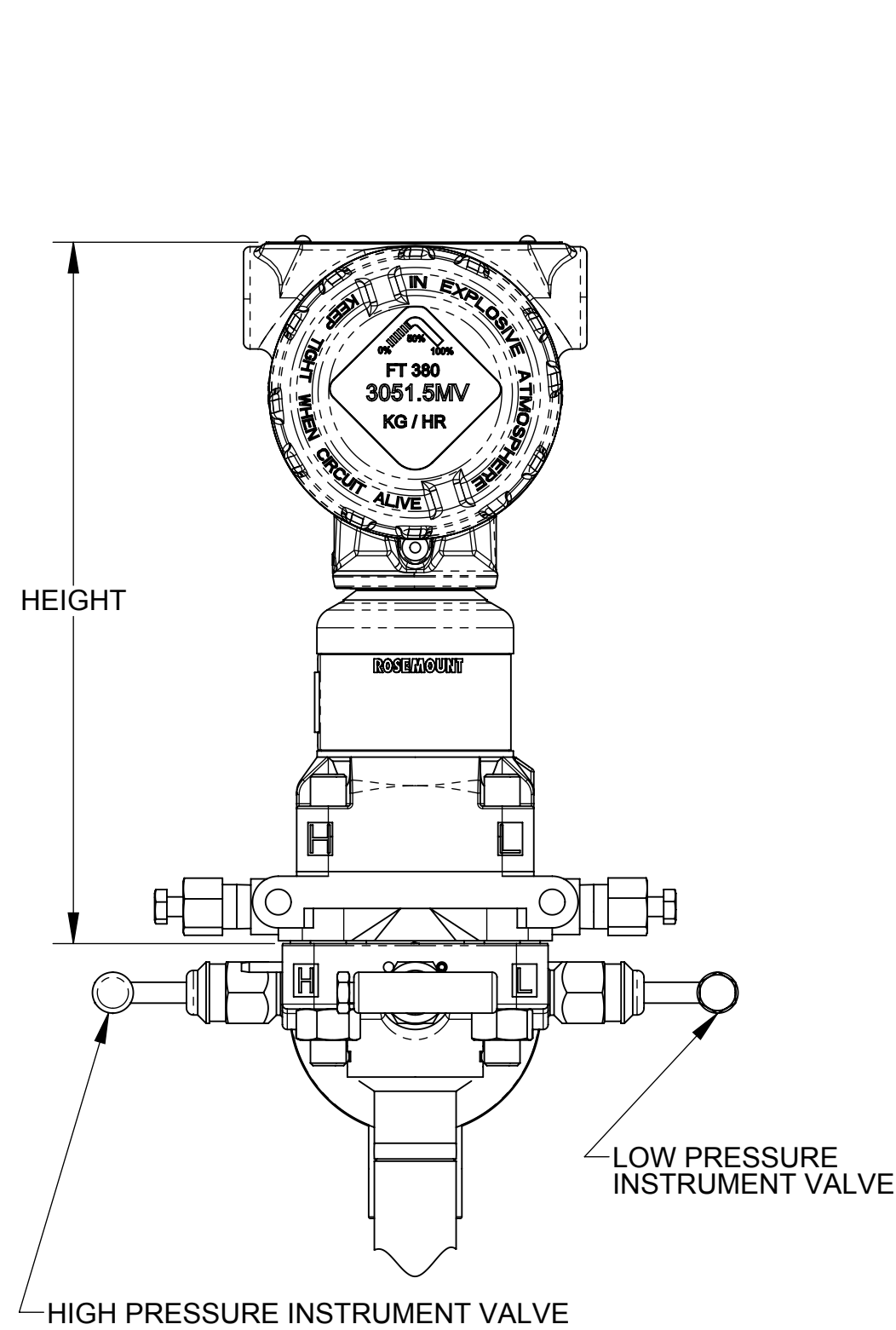
**REMOTE MOUNT
 FLANGED
 OPPOSITE SIDE SUPPORT**

ALSO AVAILABLE FOR HIGH PRESSURE APPLICATIONS
 (150# THRU 600# ANSI SHOWN)

| | | |
|-------------------|----------|----------------------------------|
| ROSEMOUNT® | | |
| BOULDER, COLORADO | | |
| SIZE A | FSCM.NO. | DRAWING NO. 00485-1011 |
| SCALE: 1:1 | WT. | SHEET: 3 of 5 |



3051SFA, STD HARDWARE

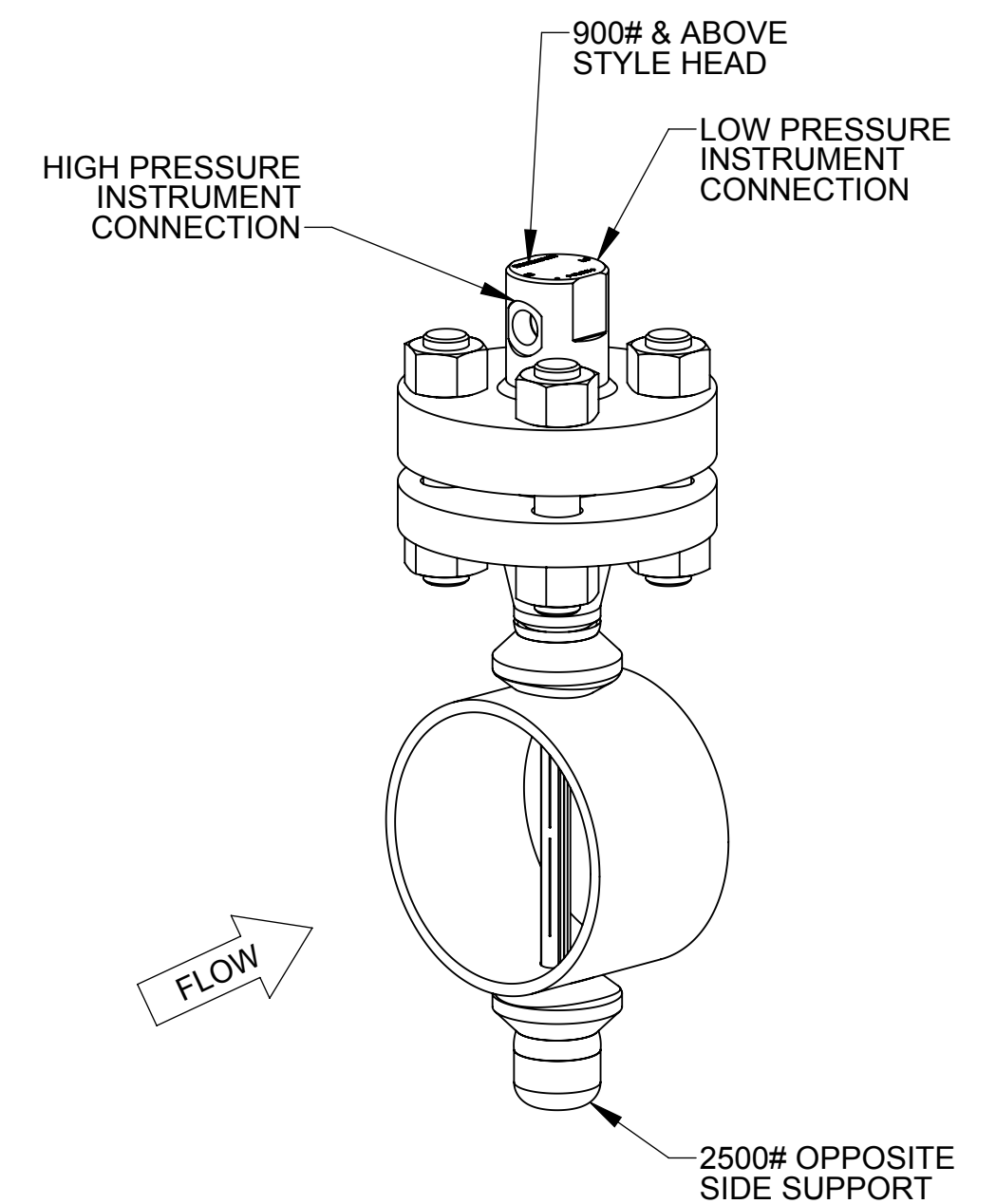
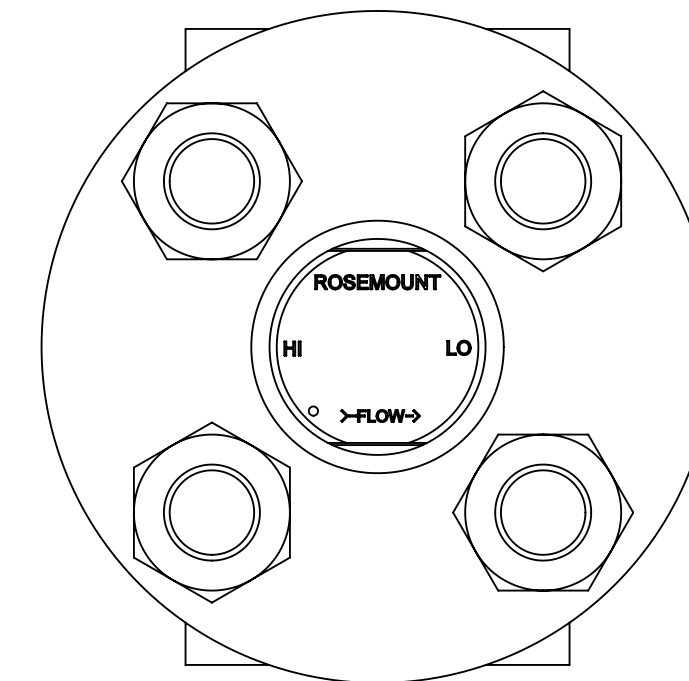
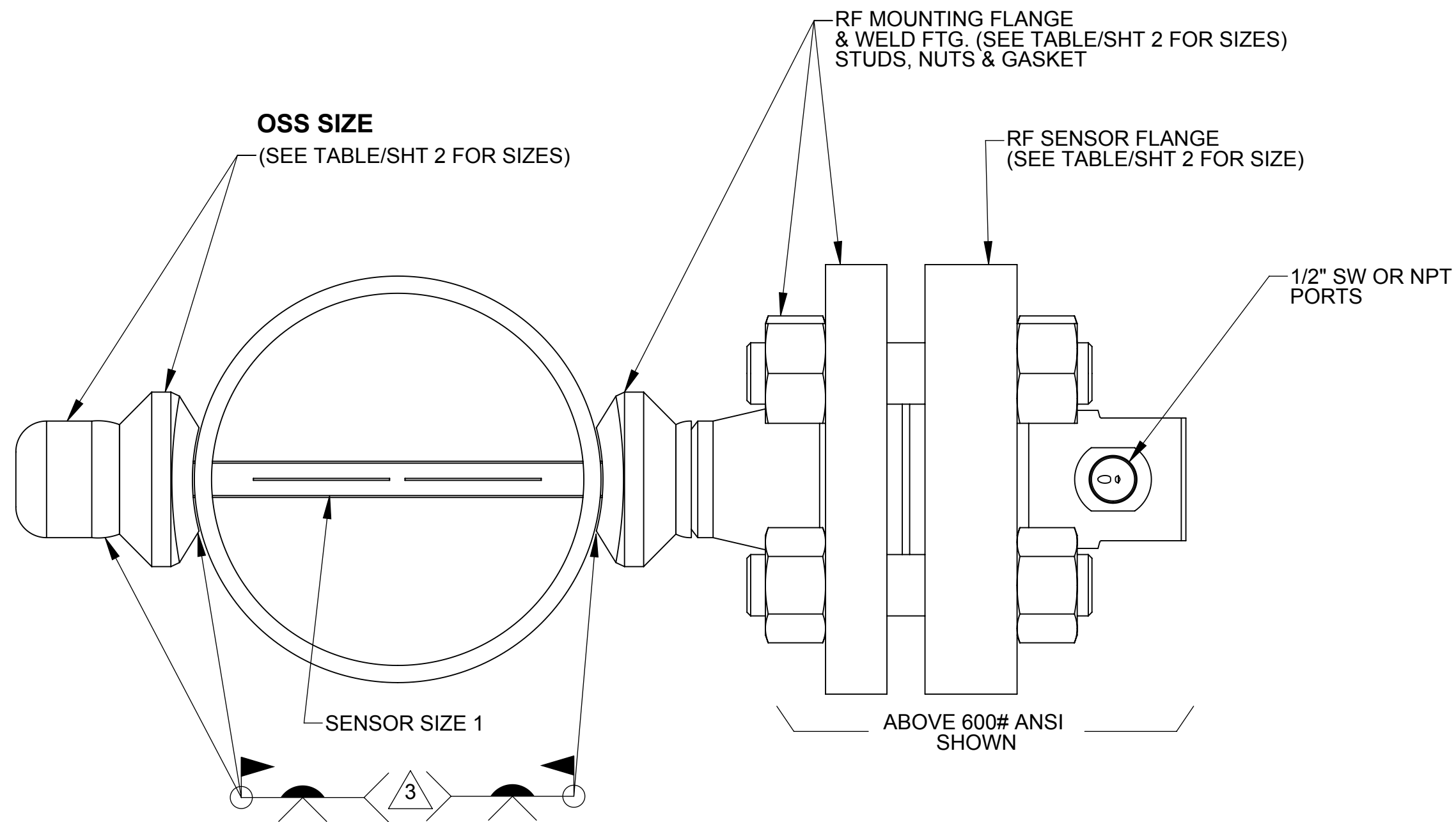


| FLOWMETER | HEIGHT | WIDTH | TEMP WIDTH |
|-----------|-----------------|-----------------|------------------|
| 2051CFA | 7.03 [178,5] | 5.50 [139,7] | 10.09 [256,3] |
| 3051CFA | 7.1 (181) | 5.67 [144,0] | |
| 3051SFA | 8.53 (216.7) | 5.67 [144,0] | |
| 3095MFA | 7.1 (181) | 5.67 [144,0] | |

3051SFA SHOWN

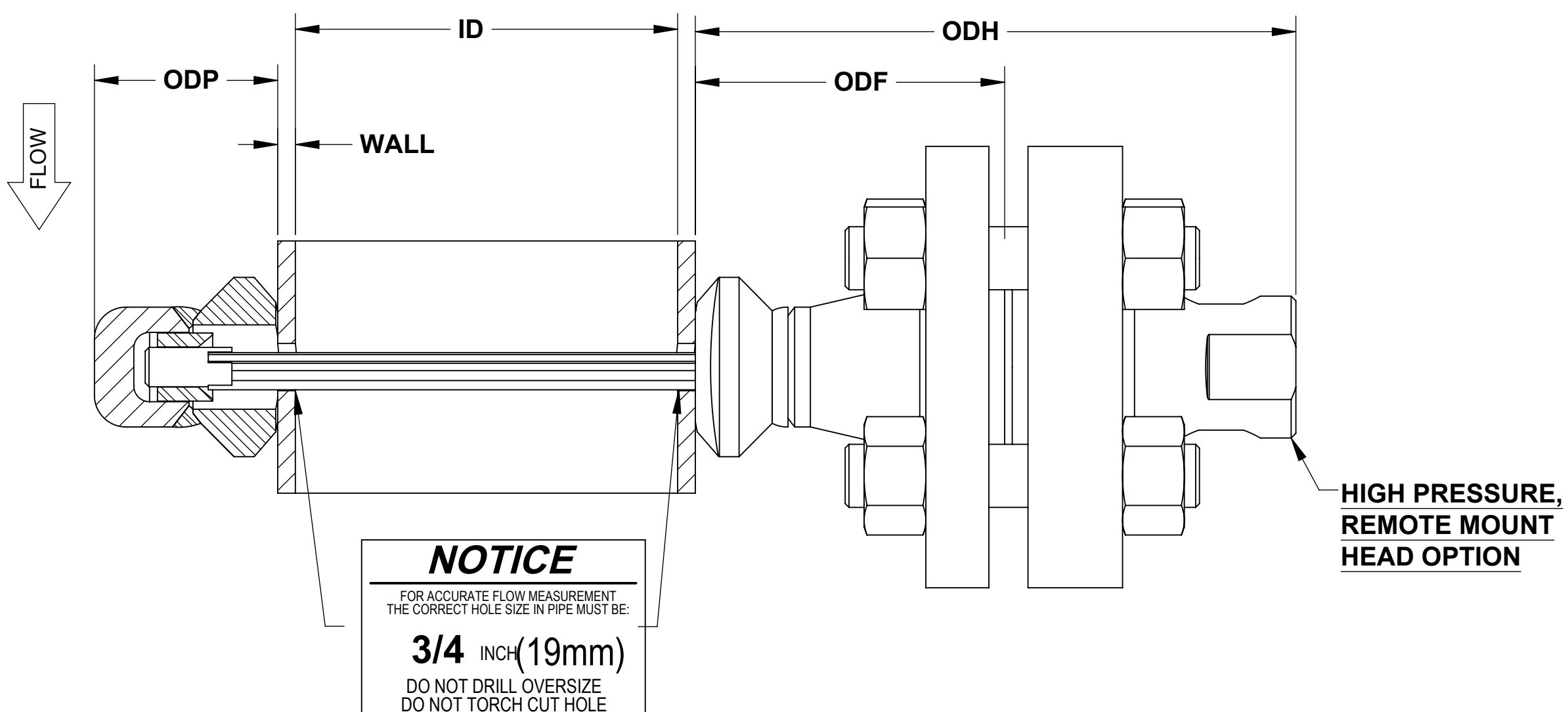
ROSEMOUNT®
BOULDER, COLORADO

| | | |
|------------|----------|----------------------------------|
| SIZE A | FSCM.NO. | DRAWING NO. 00485-1011 |
| SCALE: 1:1 | WT. | SHEET: 4 of 5 |



HI-PRESSURE REMOTE MOUNT WITH OPPOSITE SIDE SUPPORT

(900# & ABOVE ANSI SHOWN)



| | | |
|----------------------------------|----------|----------------------------------|
| ROSEMOUNT® | | |
| <small>BOULDER, COLORADO</small> | | |
| SIZE A | FSCM.NO. | DRAWING NO. 00485-1011 |
| SCALE: NONE | WT. | SHEET 5 OF 5 |