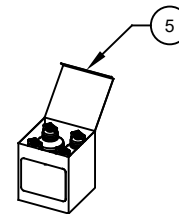
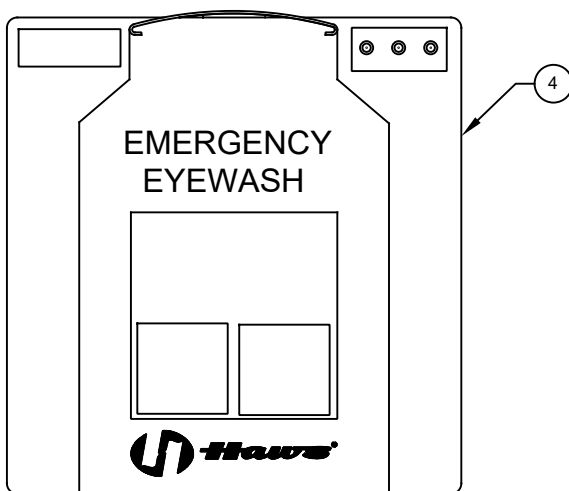
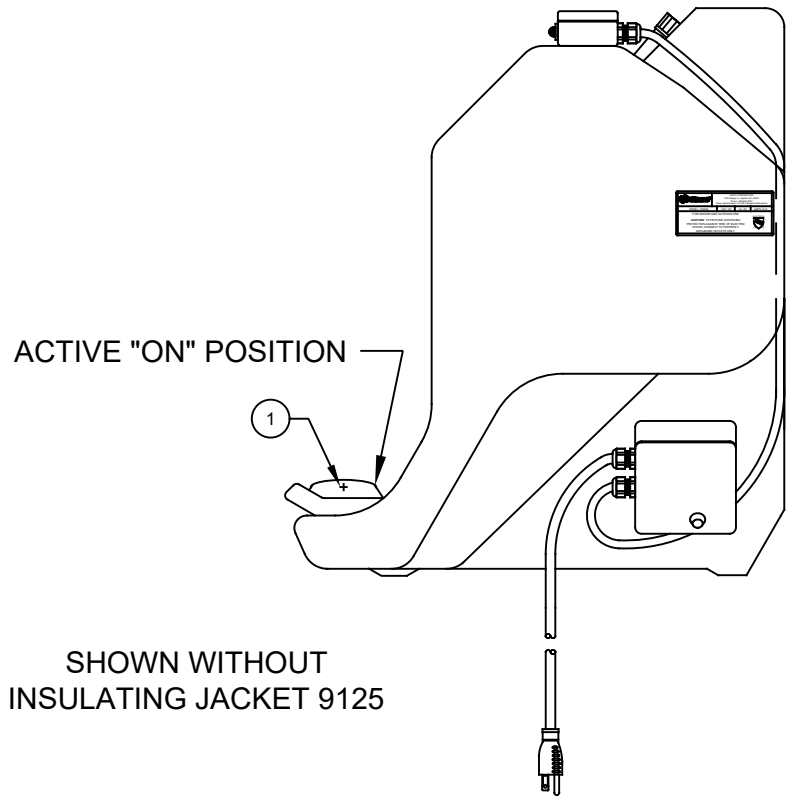
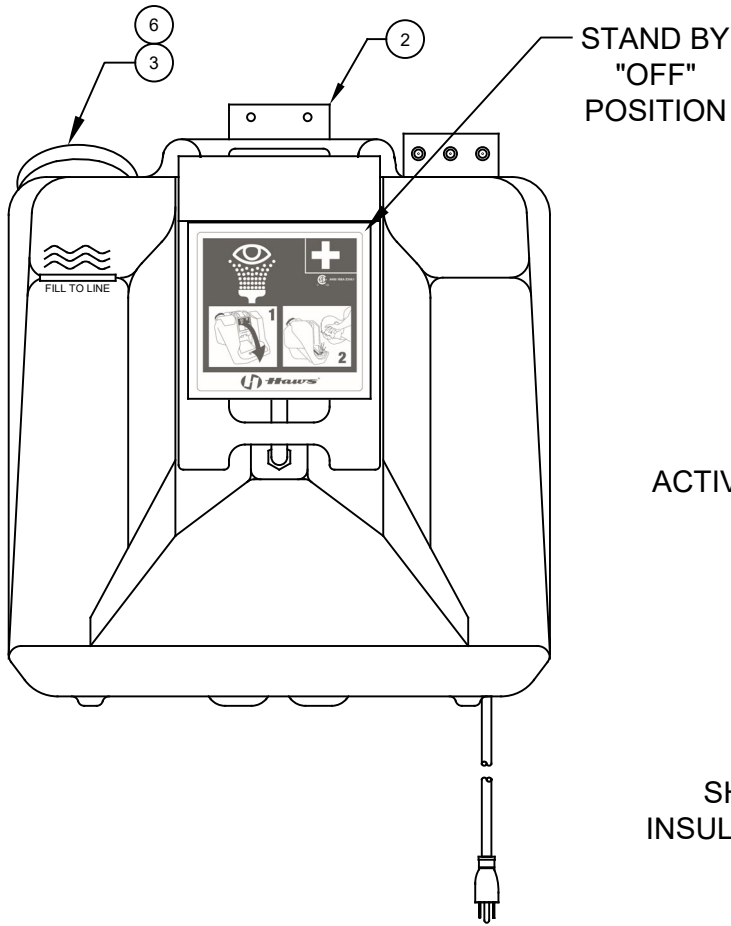


ITEM	DESCRIPTION
1	SP19 EYEWASH HEAD ASSY
2	0001217418 BRACKET
3	0310000325 CAP
4	9125 JACKET
5	9082 STERILE EYEWASH ADDITIVE
6	0003163925 LABEL, CAP, REFILL


PARTS BREAKDOWN



(NOT SUPPLIED, MUST BE ORDERED SEPARATELY)

7500EB PORTABLE EYEWASH W/HEATER
ASSEMBLED WITH 9125 JACKET

WHEN ORDERING PARTS PLEASE SPECIFY MODEL NUMBER.

 Haws [®]		1455 KLEPPE LANE SPARKS, NEVADA 89431 (775) 359-4712 FAX (775) 359-7424 E-MAIL: HAWS@HAWSCO.COM WEBSITE: WWW.HAWSCO.COM	
		ECN NO. REVISED PER BY ECN: 5698 FV	MODEL(S) 7500EB
DRAWN CLF DATE 9/24/93 CHKD DP	APPROVED FV DATE 05/20/21	SCALE: 1:1 DRAWING TYPE: PARTS BREAKDOWN	REVISION 17
		SIZE: A	SHEET 1 OF 1