



Pneumatic Spring Return Automated Ball Valve Package

Series 88 3-Piece Ball Valve

Direct Mount
Full Port Valve
1500 & 2000 psi WOG (by size)

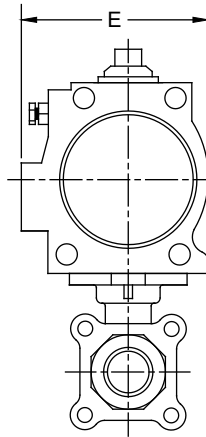
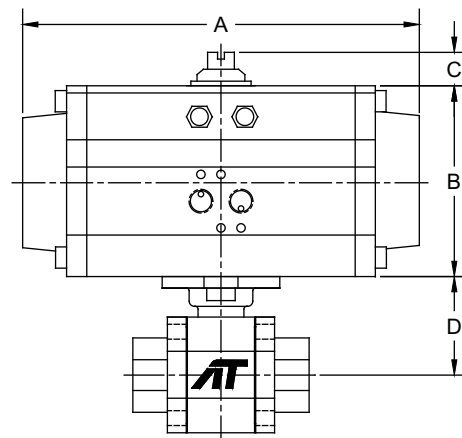
Available 1/4"–4"
316SS or WCB Body
316SS Ball & Stem

Belleville Washers,
Double Chevron Packing,
RTFE Seats Standard
Threaded, SW or BW

STANDARDS
ANSI B16.34, B16.25, B1.20.1, B16.11
API 6D, 598
ISO 5211, 5209, 5752, 7/1, 261
MSS PS25, PS72
BS 5351, 6755-1, 6755-2



Direct Mount



DIMENSIONS (IN)

VALVE SIZE	A	B	C	D	E	VALVE Cv
1/4"	7.60	2.76	0.79	1.66	2.58	7
3/8"	7.60	2.76	0.79	1.66	2.58	8
1/2"	7.95	3.43	0.79	1.66	3.29	15
3/4"	9.29	4.49	0.79	1.83	4.41	40
1"	9.29	4.49	0.79	2.31	4.41	70
1-1/4"	9.29	4.49	0.79	2.46	4.41	110
1-1/2"	9.29	4.49	0.79	3.11	4.41	250
2"	10.87	4.88	0.79	3.42	4.82	430
2-1/2"	11.46	5.28	0.79	4.28	5.20	600
3"	13.90	6.18	0.79	4.63	6.04	1100
4"	15.16	6.93	1.18	5.26	6.69	2000

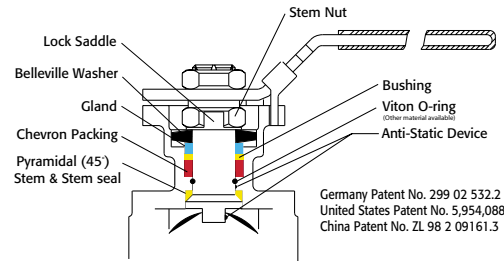
DIMENSIONS SHOWN ARE FOR ASSEMBLIES SIZED FOR 80 PSI SUPPLY



SERIES 88 Direct Mount

SIZED FOR 80 psi AIR SUPPLY	
SIZE	MODEL
1/4"	88-TX-025/TR1S-XX
3/8"	88-TX-038/TR1S-XX
1/2"	88-TX-050/2R2S-XX
3/4"	88-TX-075/2R3S-XX
1"	88-TX-100/2R3S-XX
1-1/4"	88-TX-125/2R3S-XX
1-1/2"	88-TX-150/2R3S-XX
2"	88-TX-200/2R4S-XX
2-1/2"	88-TX-250/2R5S-XX
3"	88-TX-300/2R6S-XX
4"	88-TX-400/2R7S-XX

SIZED FOR 60 psi AIR SUPPLY	
SIZE	MODEL
1/4"	88-TX-025/TR1S-XX
3/8"	88-TX-038/TR1S-XX
1/2"	88-TX-050/2R2S-XX
3/4"	88-TX-075/2R3S-XX
1"	88-TX-100/2R3S-XX
1-1/4"	88-TX-125/2R3S-XX
1-1/2"	88-TX-150/2R4S-XX
2"	88-TX-200/2R4S-XX
2-1/2"	88-TX-250/2R6S-XX
3"	88-TX-300/2R6S-XX
4"	88-TX-400/2R7S-XX



Germany Patent No. 299 02 532.2
United States Patent No. 5,954,088
China Patent No. ZL 98 2 09161.3

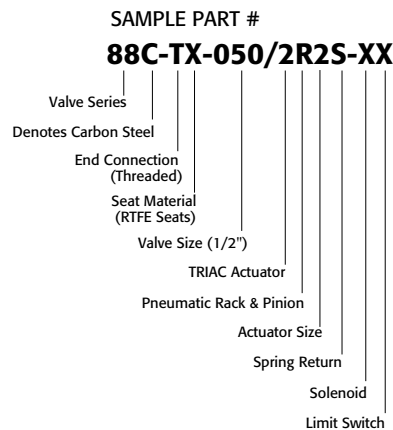
OPTIONS

DESCRIPTION	PART NO. SUFFIX	DESCRIPTION	PART NO. SUFFIX
NEMA 4 Solenoid	(A)	NEMA 4 Limit Switch (2) spdt	(A)
NEMA 7 Solenoid	(B)	NEMA 7 Limit Switch (2) spdt	(B)

Other options available - call for details
Actuators are sized based on clean/clear fluid.

See valve part number matrix for complete part number and options.

050111-885R



Triac Division
11363 Deerfield Rd.
Cincinnati, Ohio 45242
PHONE (513) 247-5465
FAX (513) 247-5462
e-mail: sales@a-tcontrols.com
www.a-tcontrols.com