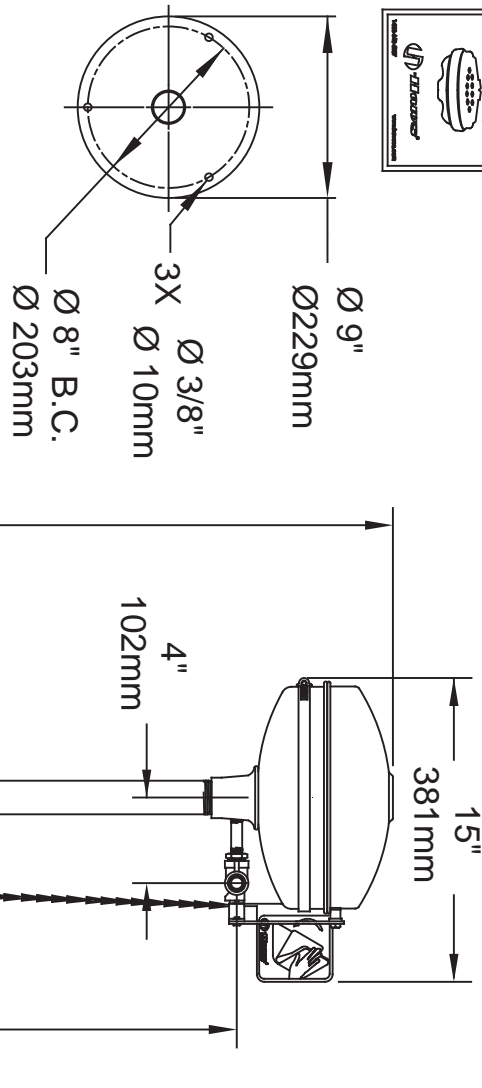


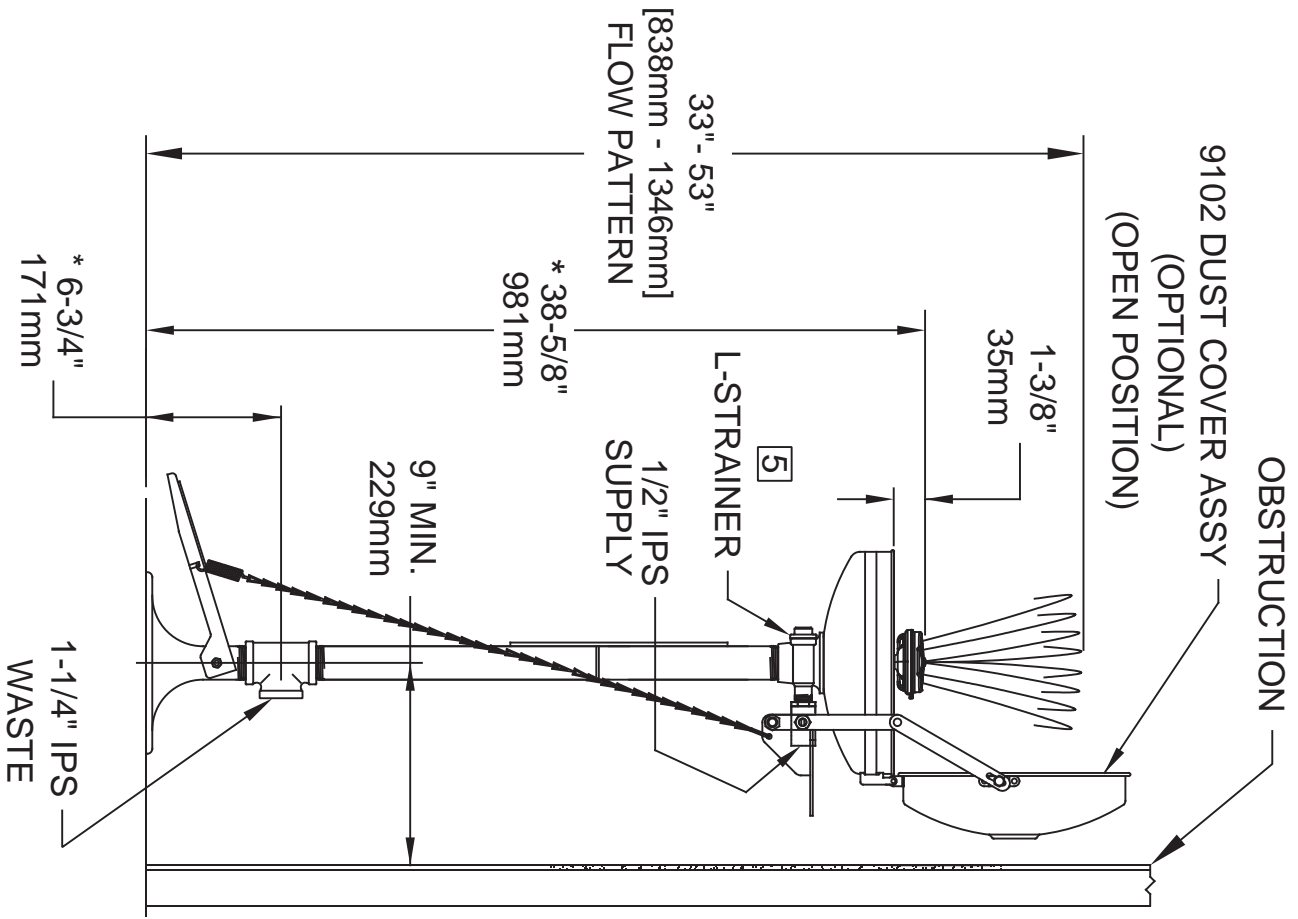
SIGN IS TO BE POSITIONED SUCH THAT IT IS VISIBLE WITHIN THE AREA SERVED BY THE EYEWASH



MOUNTING DETAIL

NOTES:

1. WHEN INSTALLING THIS UNIT, LOCAL, STATE, OR FEDERAL CODES SHOULD BE ADHERED TO FOR INSTALLATION DIMENSIONS (LOCATIONS), WASTE AND SUPPLY REQUIREMENTS OTHER THAN SHOWN.
2. TO COMPLY WITH ANSI Z358.1-2014 FOR EMERGENCY EYEWASH OR EYE/FACE WASH: EYEWASH OR EYE/FACE WASH SHALL BE POSITIONED SUCH THAT FLUSHING FLUID PATTERN IS NOT LESS THAN 33" (838mm) AND NO GREATER THAN 53" (1346mm) FROM SURFACE ON WHICH USER STANDS; AND 6.0" (153mm) MINIMUM FROM WALL OR NEAREST OBSTRUCTION.
3. CENTERLINE WASTE PLACED 9" (229mm) MIN FROM OBSTRUCTION.
4. DIM APPLIES WHEN OPTIONAL 9102 DUST COVER ASSEMBLY IS USED.
5. REMOVE 1/2" NPT PLUG TO GAIN ACCESS TO STRAINER FOR CLEANING. WHEN RE-ASSEMBLING STRAINER AND PLUG, MAKE SURE THAT STRAINER IS FULLY PRESSED INTO PLUG CAVITY, PRIOR TO THREADING PLUG INTO TEE.
6. * DIMENSIONS MAY VARY BY ±1/2" (13 mm).



		Haws	
ECONTO REVISED PER BY: [Signature]		MODEL(S)	
DRWN: [Signature]	DATE: [Signature]	DATE: [Signature]	DATE: [Signature]
APPROVED: [Signature]	DATE: [Signature]	SCALE: 1/10	DRAWING TYPE: [Signature]
1455 KLEPPE LANE SPARKS, NEVADA 89431 (775) 359-4712 FAX (775) 359-7424 E-MAIL: HAWS@HAWSCO.COM WEBSITE: WWW.HAWSCO.COM		PART NUMBER: 0002080102.D REVISION: 17	