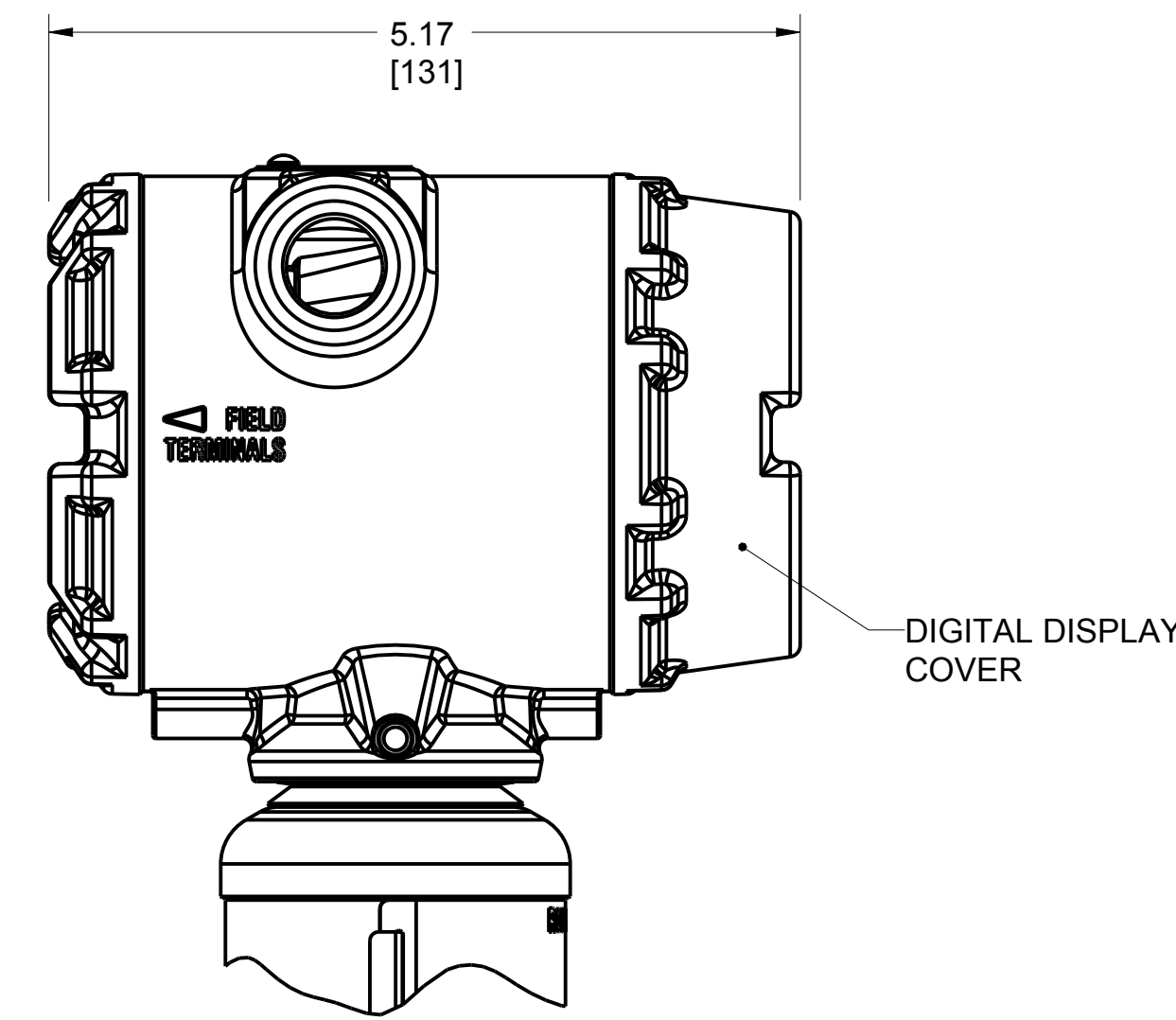


ROSEMOUNT 3051S SCALABLE OR 3051SMV MULTIVARIABLE COPLANAR PRESSURE TRANSMITTER

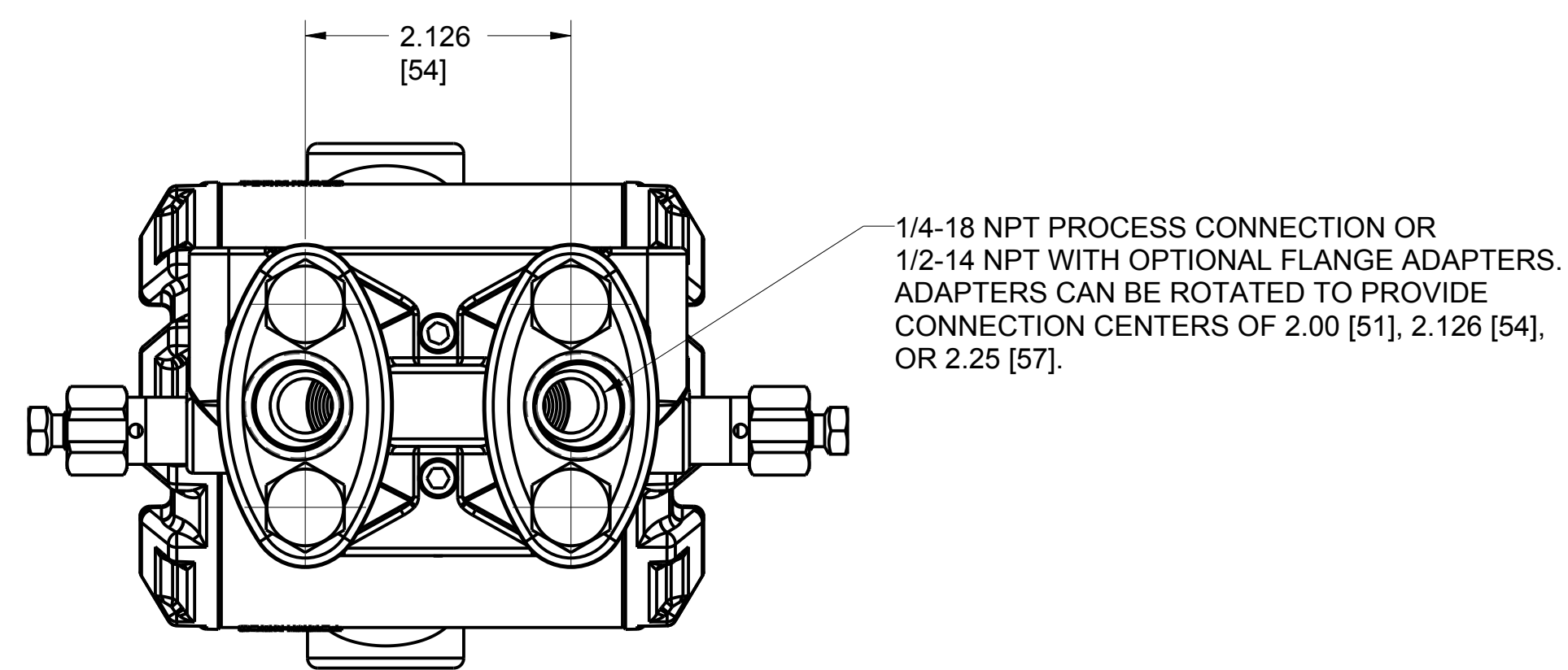
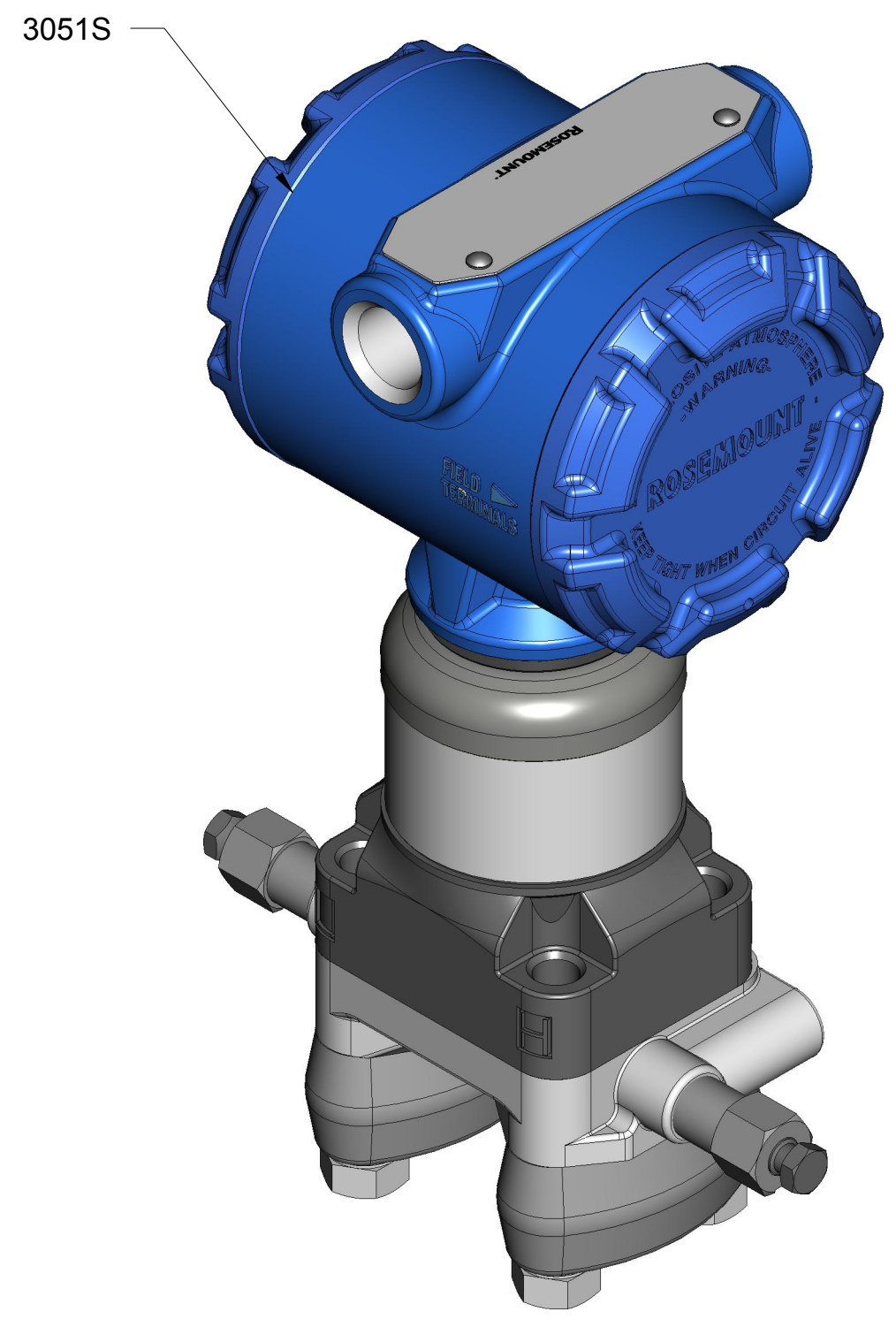
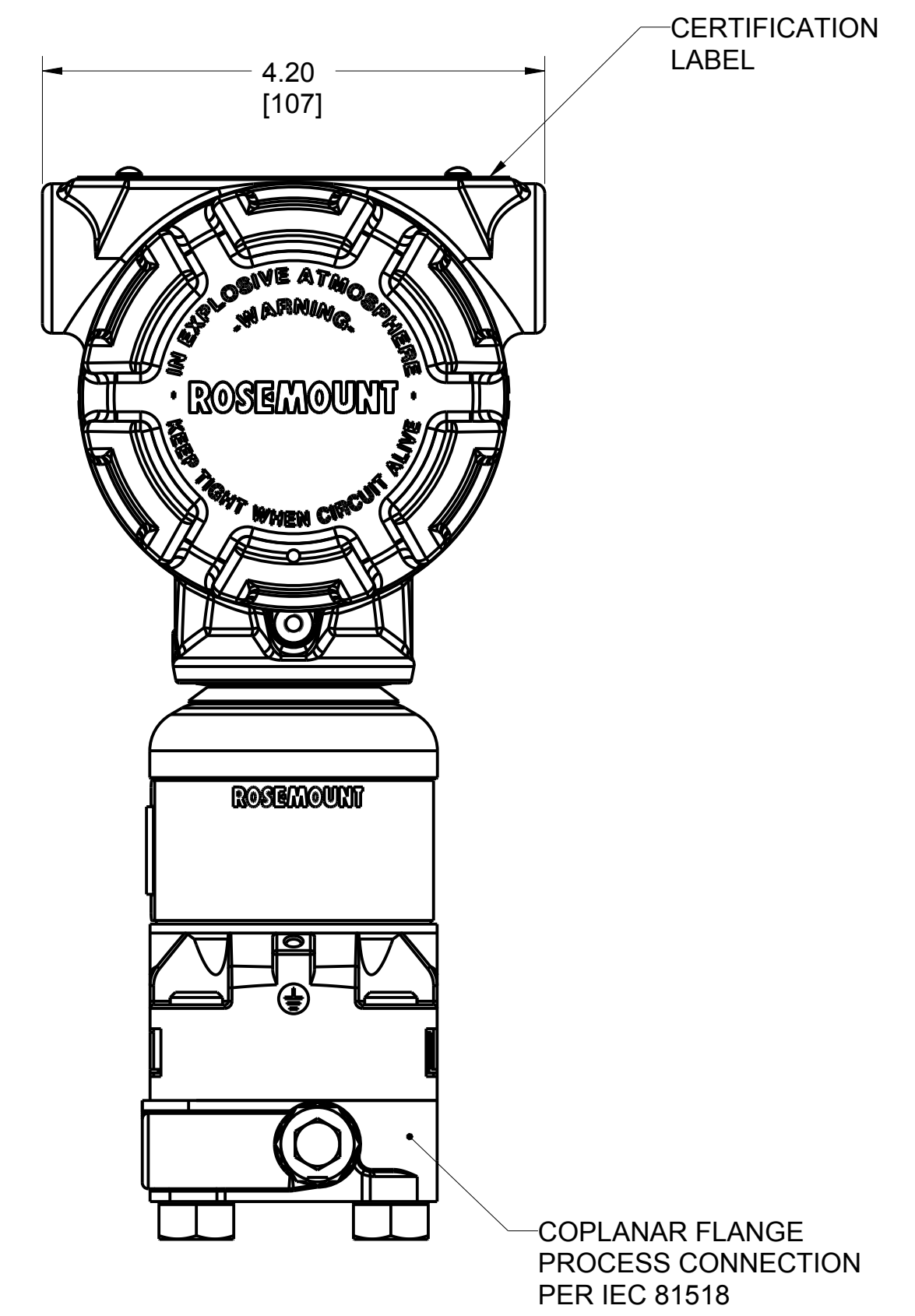
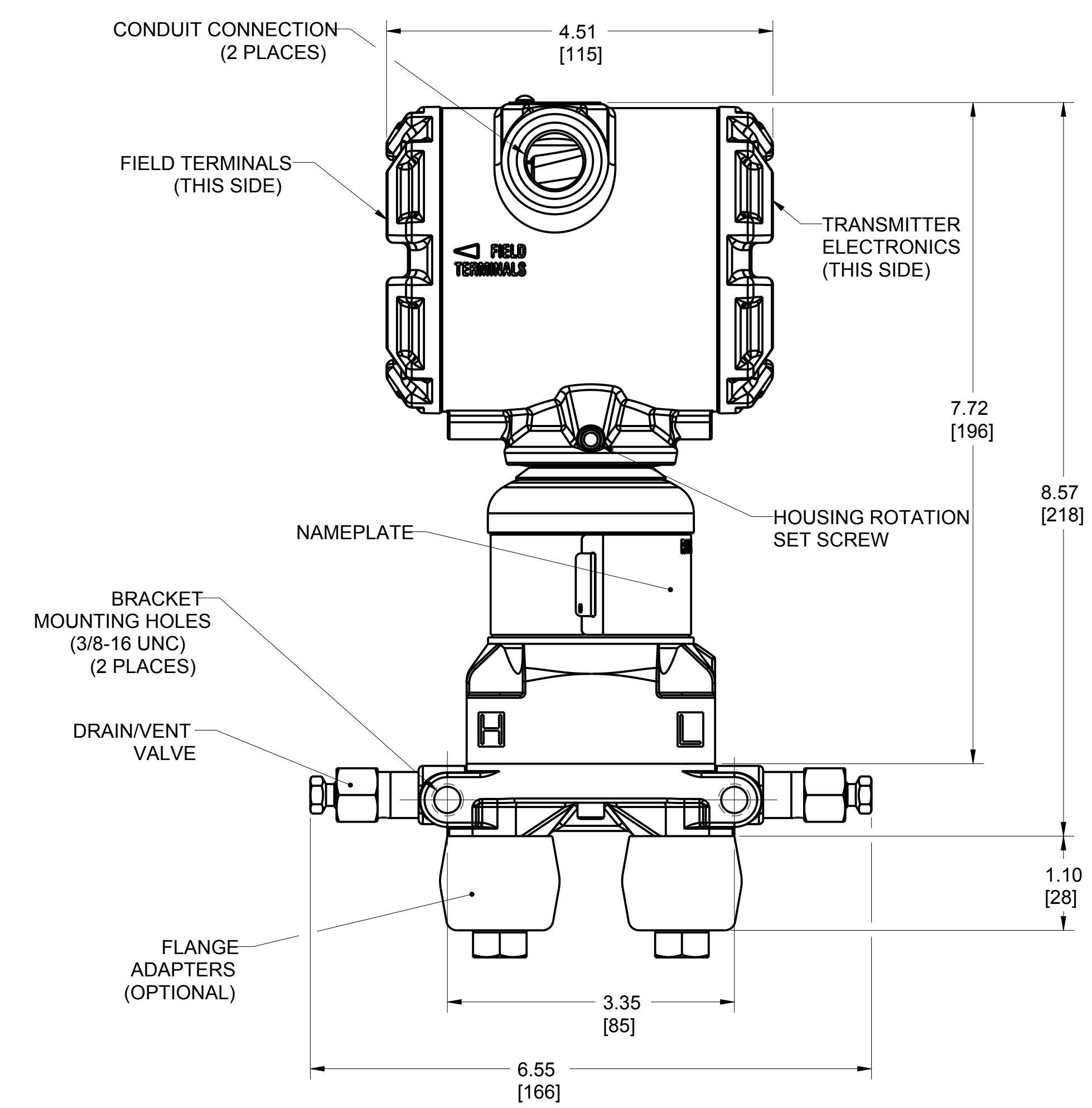
COPLANAR FLANGE PROCESS CONNECTION

| REVISION TABLE | | | |
|-------------------------------------|------------|-------------|----------|
| REVISION | ECO NO. | APP'D | DATE |
| AL | RTC1071620 | E.MATHIASON | 10/25/18 |
| DESCRIPTION | | | |
| CHANGE ANTENNA LENGTH STANDARD 2.4. | | | |

PLANTWEB HOUSING
SHOWN WITH OPTIONAL DIGITAL DISPLAY

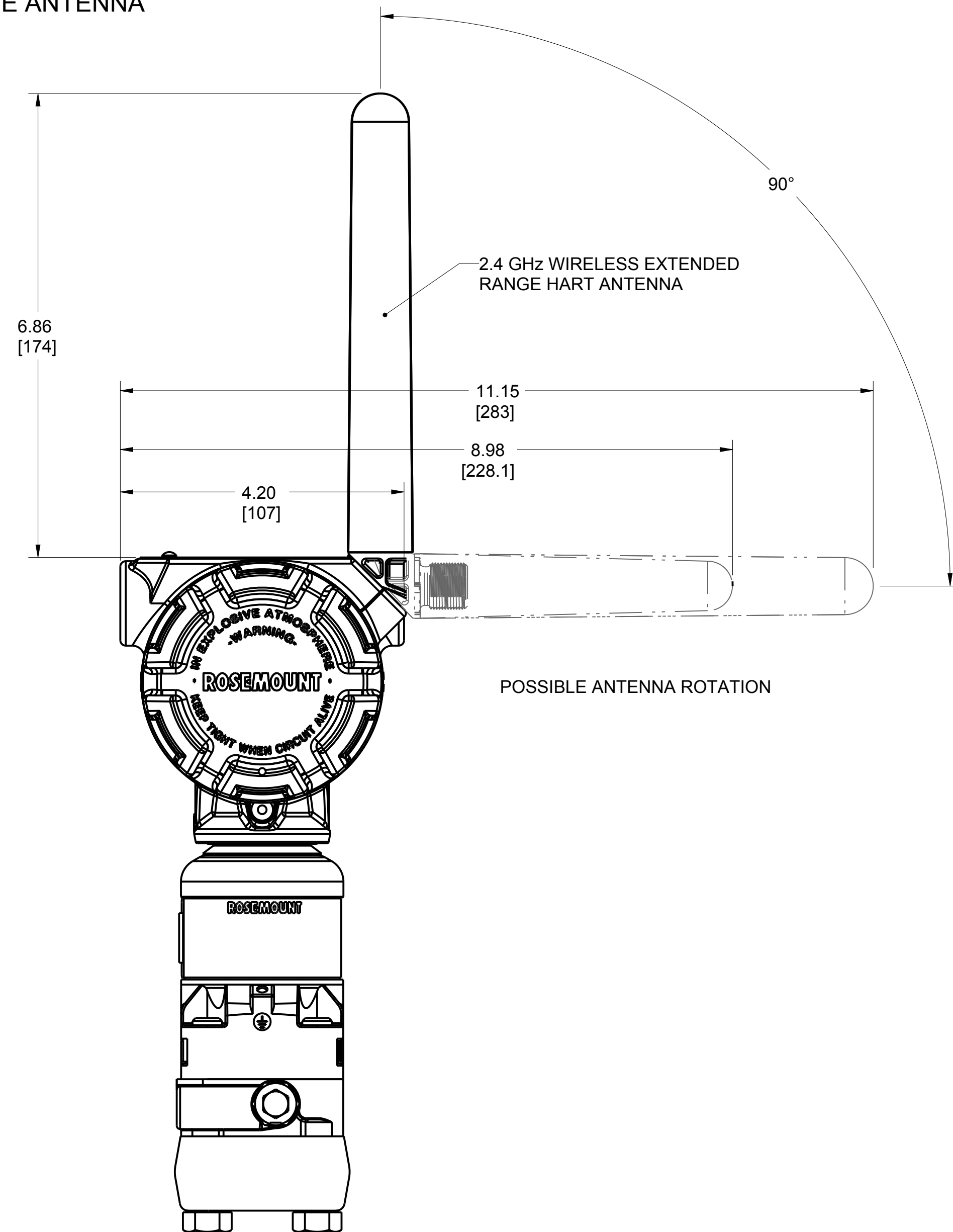


PLANTWEB HOUSING



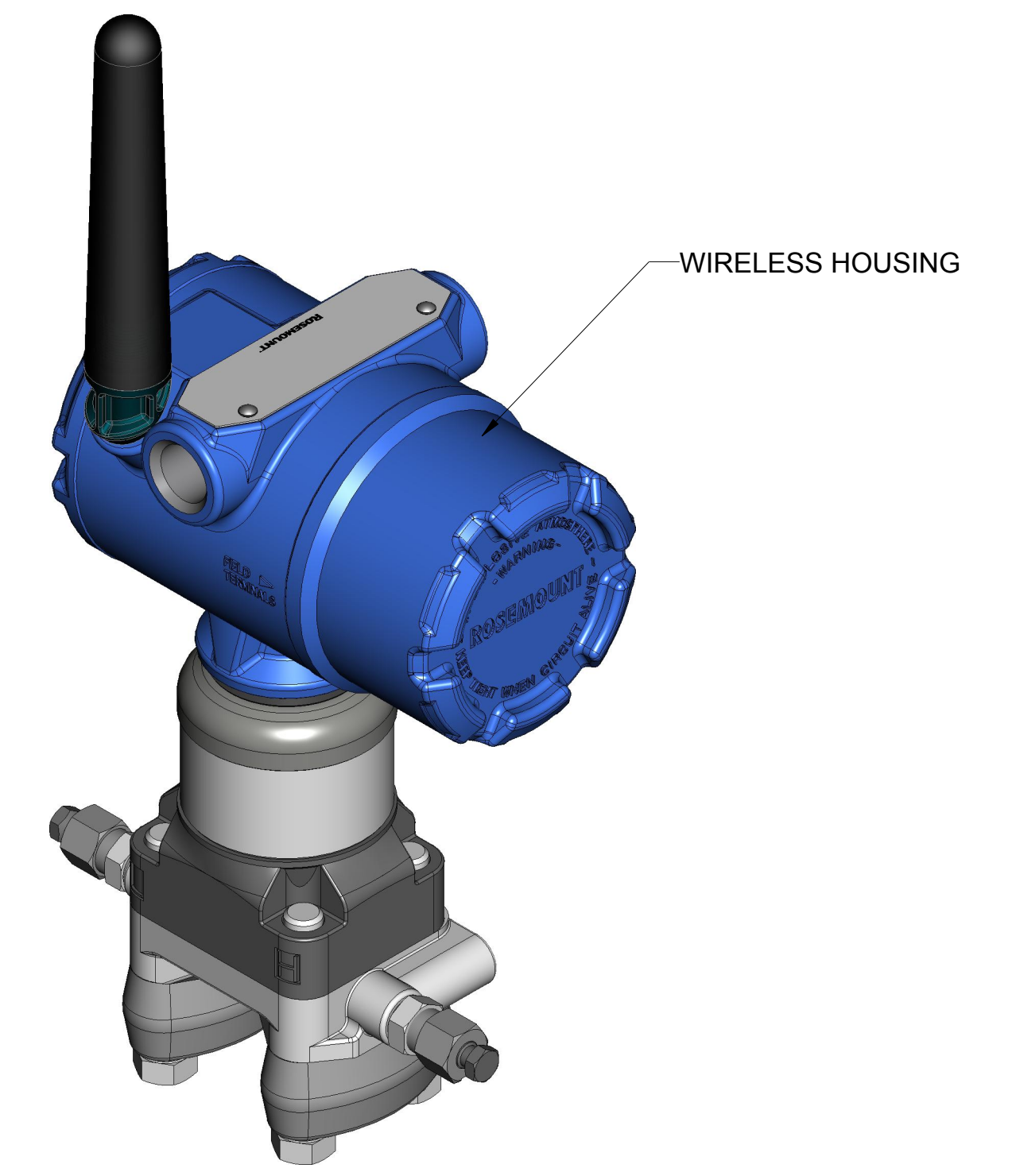
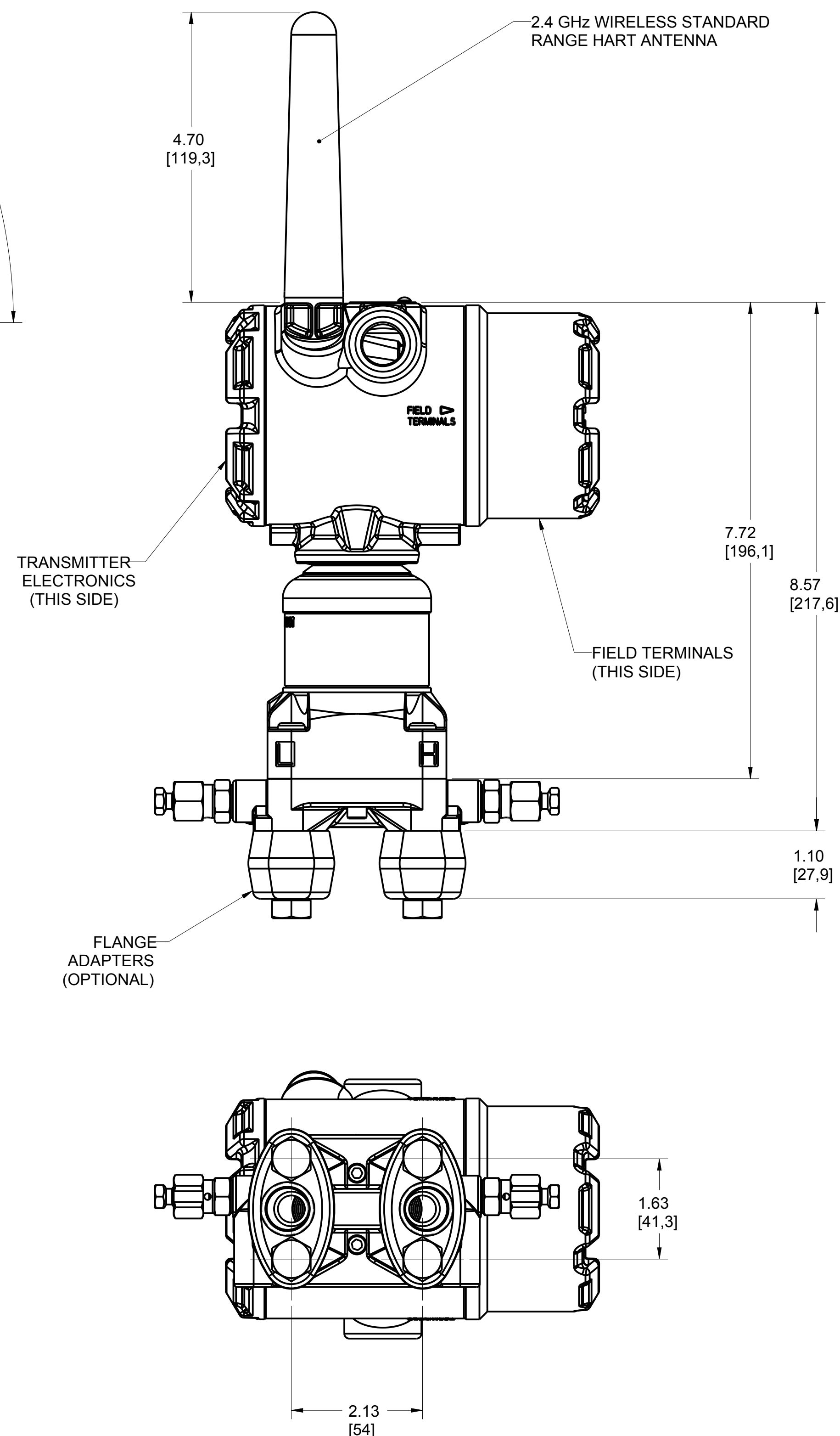
| | | | | |
|---|---|---------------------------------------|--------------------------|-----------------------------|
| <small>©2015 ROSEMOUNT INC. ROSEMOUNT INC. CERTIFIES THIS PRODUCT TO THE IEC TYPE I STANDARD IN ACCORDANCE WITH ROSEMOUNT ENGINEERING SPECIFICATIONS. UNIT NOTES IN INCHES (mm). REFERENCE ROSEMOUNT PRODUCT SPECIFICATIONS. CLICK HERE</small> | | <small>3RD ANGLE</small> | <small>SIZE</small> D | <small>SCALE</small> NTS |
| | ROSEMOUNT 3051S/3051SMV TYPE I DRAWING | | | |
| | <small>DR.</small> JLA 10/21/18 | <small>DRAWING NO.</small> | 03151-6000 | |
| | <small>APP'D</small> E.M 10/15/18 | <small>CAD MAINTAINED, (PROE)</small> | | |

WIRELESS PLANTWEB HOUSING
SHOWN WITH 2.4 GHz EXTENDED RANGE ANTENNA

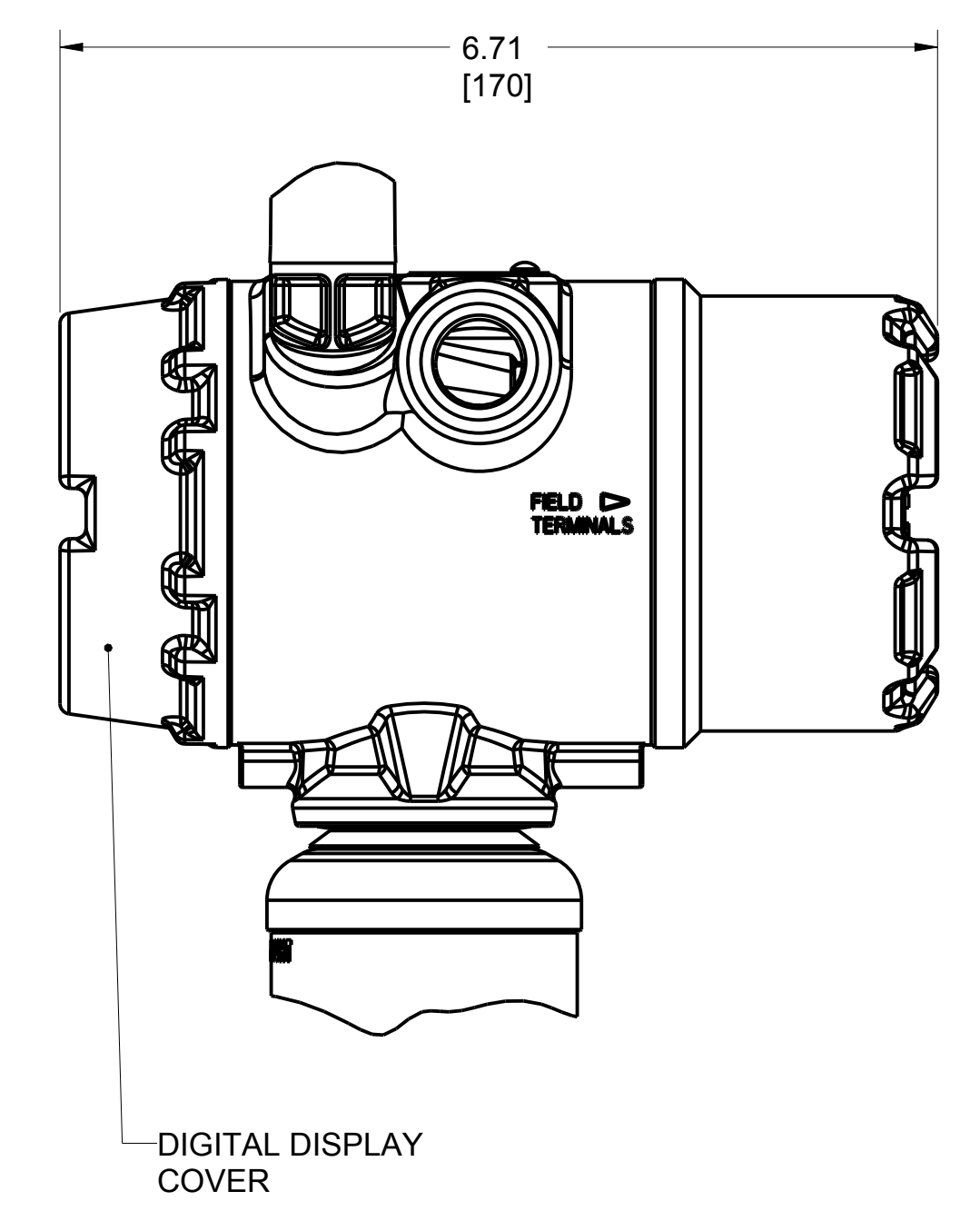


ROSEMOUNT 3051S SCALABLE COPLANAR PRESSURE TRANSMITTER, WIRELESS
COPLANAR FLANGE PROCESS CONNECTION

WIRELESS PLANTWEB HOUSING
SHOWN WITH 2.4 GHz STANDARD RANGE ANTENNA



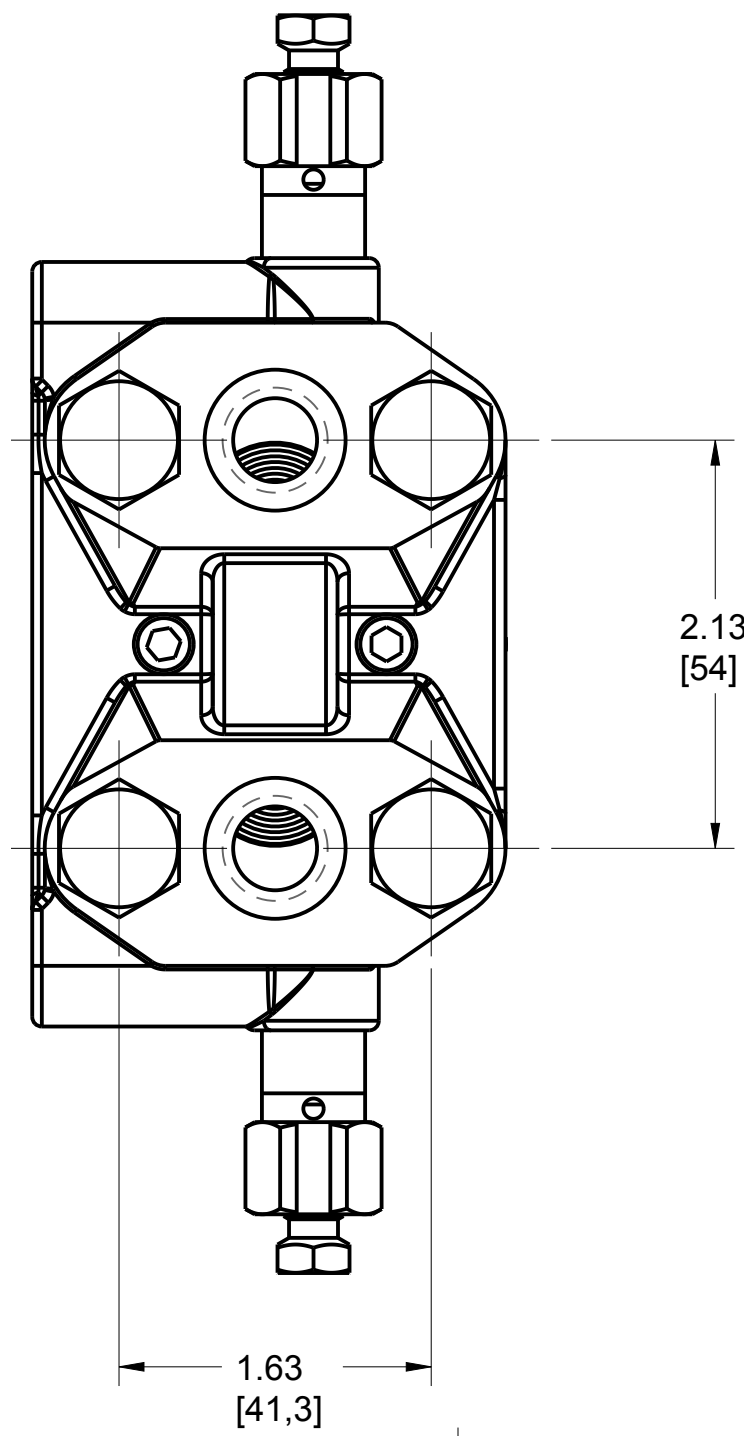
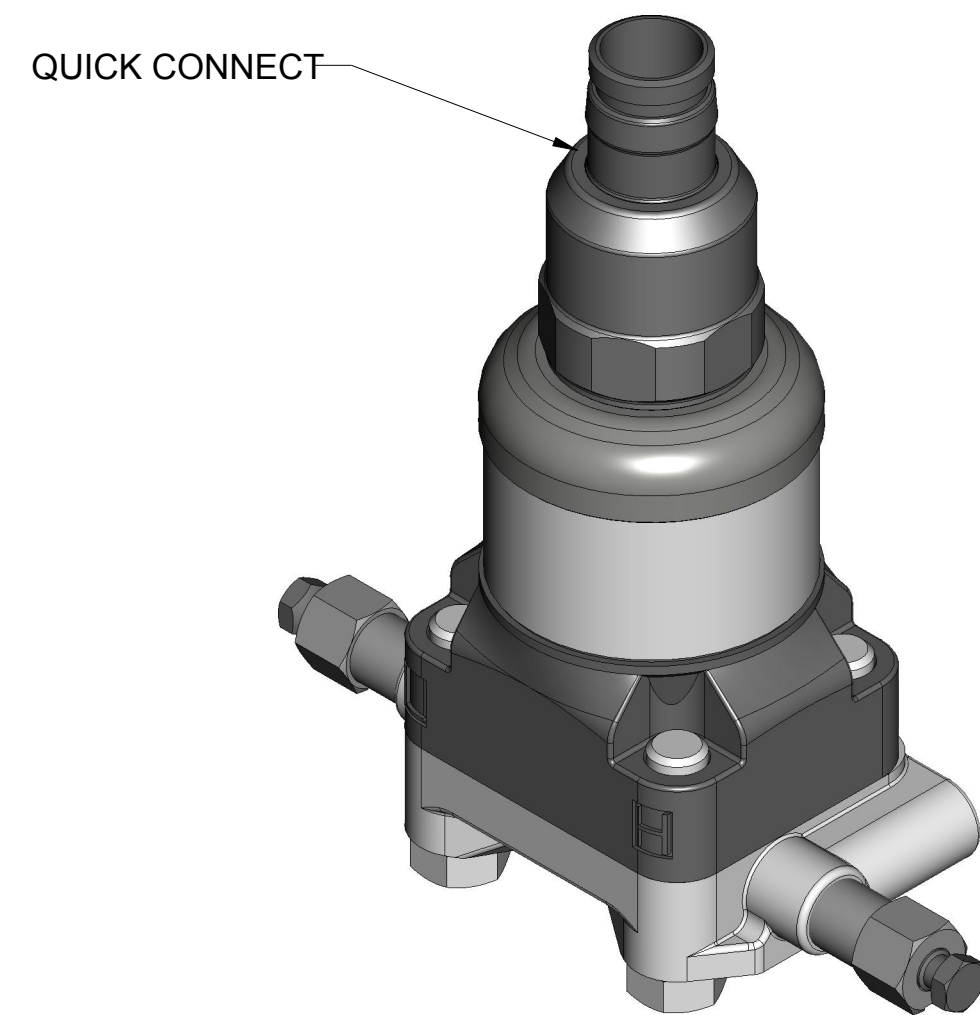
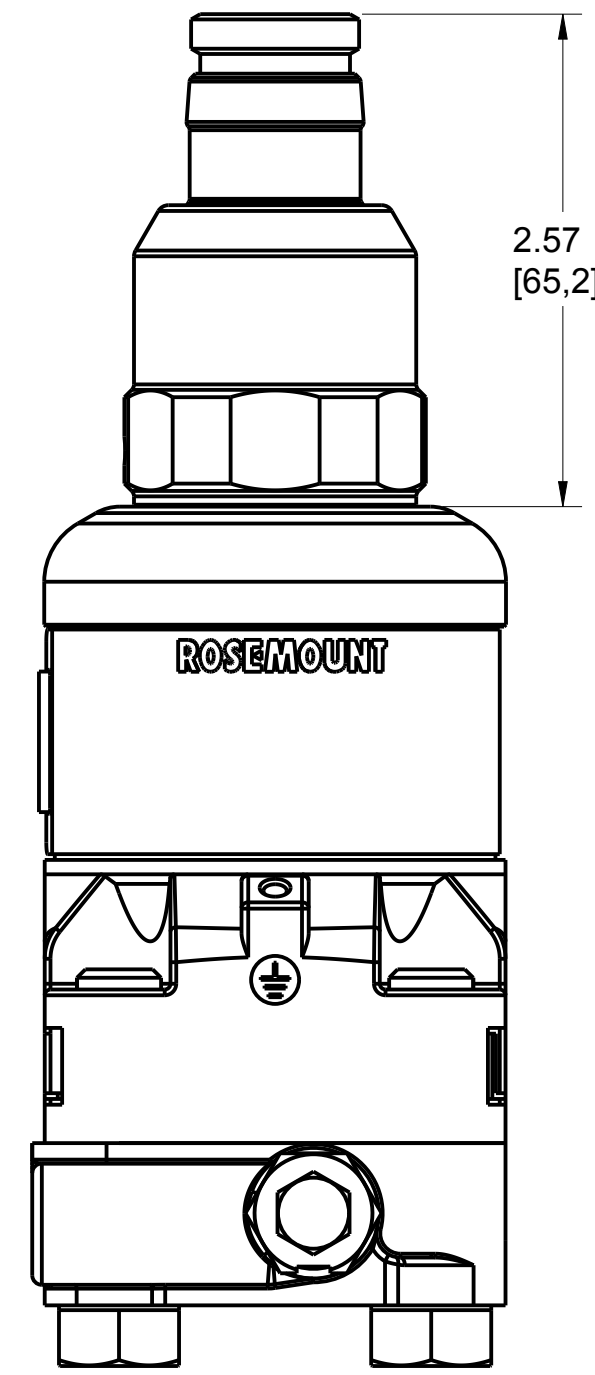
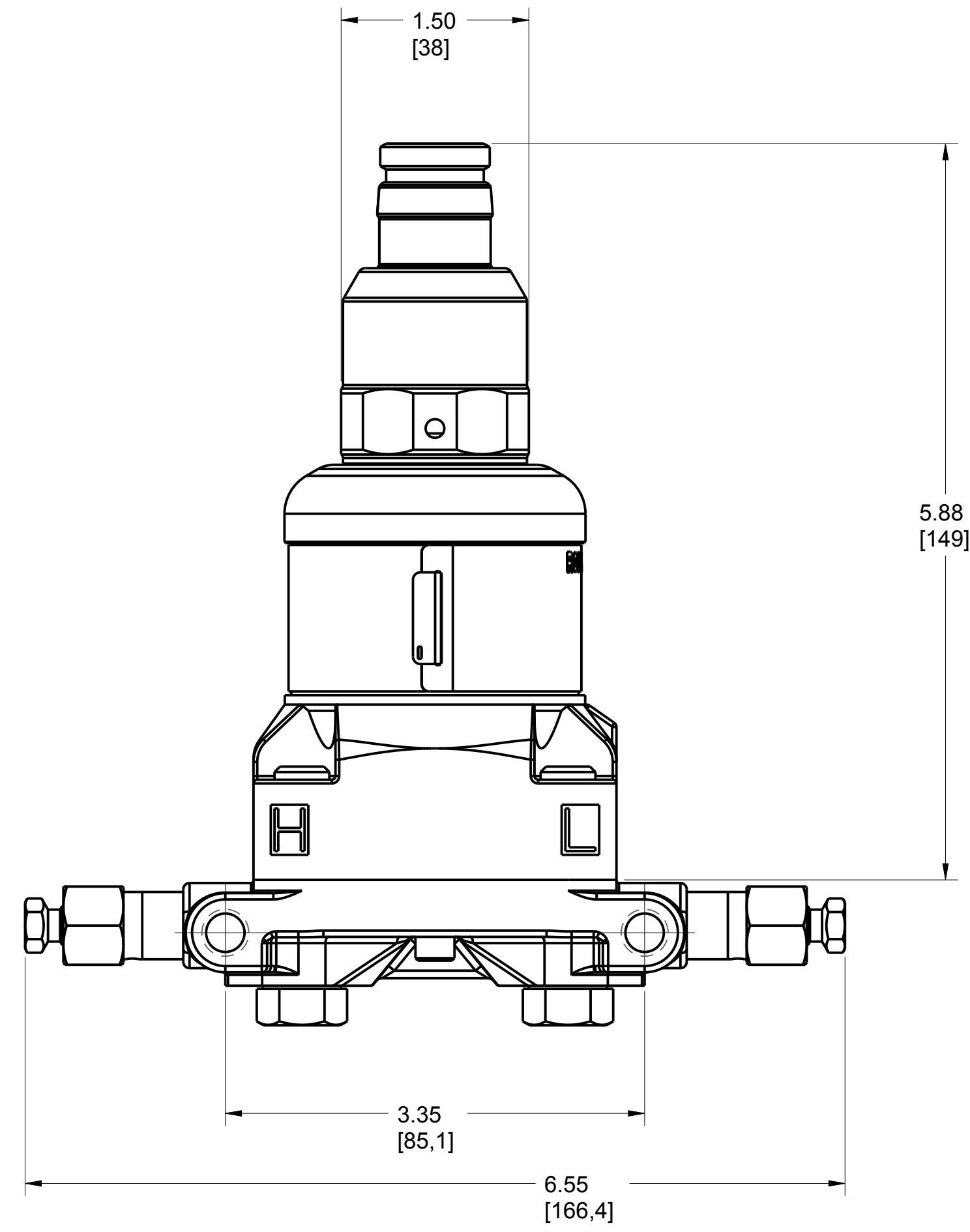
WIRELESS PLANTWEB HOUSING
SHOWN WITH OPTIONAL DIGITAL DISPLAY



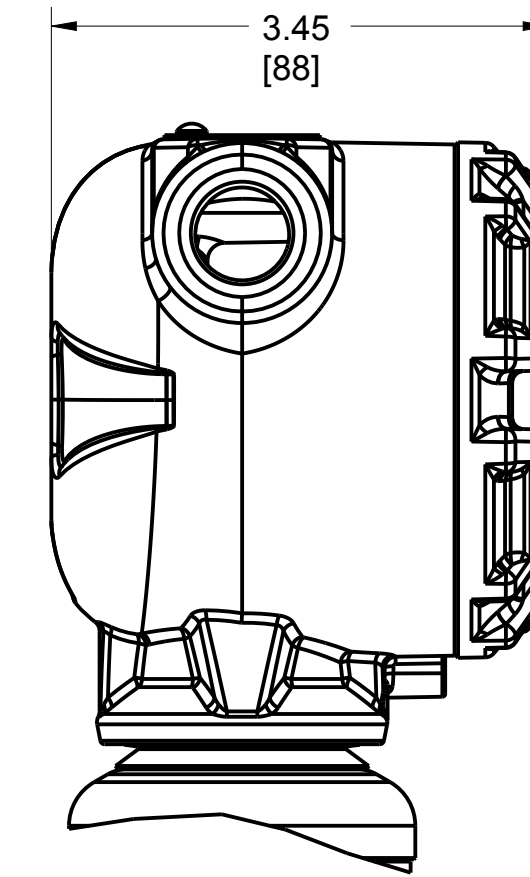
| | | | |
|--|--|-------------------|--------------|
| ©2015 ROSEMOUNT INC. ROSEMOUNT INC. CERTIFIES THIS DRAWING TO THE ACCORDANCE WITH ROSEMOUNT ENGINEERING SPECIFICATIONS. UNIT NOTES IN INCHES (mm). REFERENCE ROSEMOUNT PRODUCT SPECIFICATIONS. CLICK HERE | 3RD ANGLE | SIZE D | SCALE NTS |
| | | | |
| | TITLE ROSEMOUNT 3051S/3051SMV TYPE I DRAWING | | |
| | DR. NV-DLF 10/21/18 DRAWING NO. | APPD E.M 12/02/12 | |
| CAD MAINTAINED, (PROE) | | SHEET 2 OF 10 | |

ROSEMOUNT 3051S PRESSURE TRANSMITTER (ONLY)

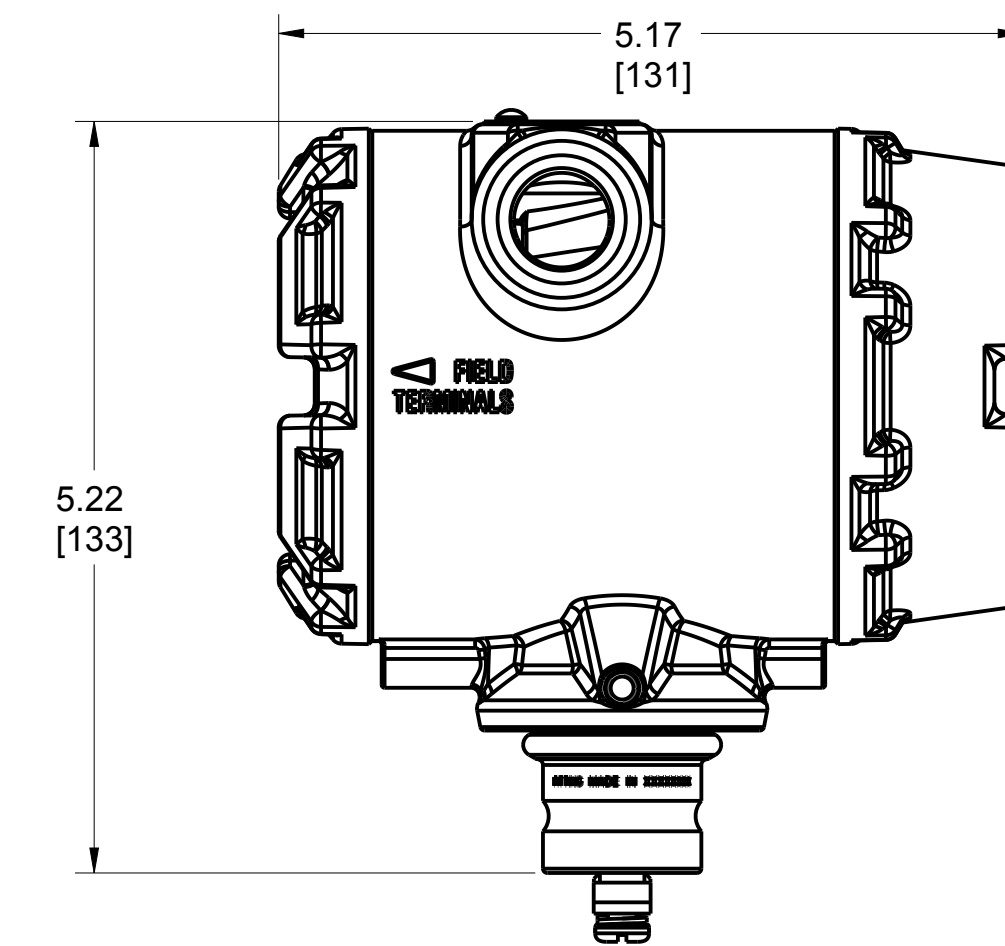
QUICK CONNECT HOUSING (COPLANER FLANGE)



JUNCTION BOX HOUSING



REMOTE METER OPTION



©2015 ROSEMOUNT INC.
ROSEMOUNT INC. CERTIFIES
THIS DRAWING IS IN
ACCORDANCE WITH
ROSEMOUNT ENGINEERING
SPECIFICATIONS.
UNIT NOTES IN INCHES (mm).
REFERENCE ROSEMOUNT
PRODUCT SPECIFICATIONS.
CLICK HERE

EMERSON

TITLE ROSEMOUNT 3051S/3051SMV
TYPE I DRAWING

| | | | | |
|------------------------|--------|----------|-------------|---------------|
| DR. | NV-DLF | 10/21/18 | DRAWING NO. | |
| APPD | E.M | 12/02/12 | | 03151-6000 |
| CAD MAINTAINED, (PROE) | | | | SHEET 3 OF 10 |

3RD ANGLE

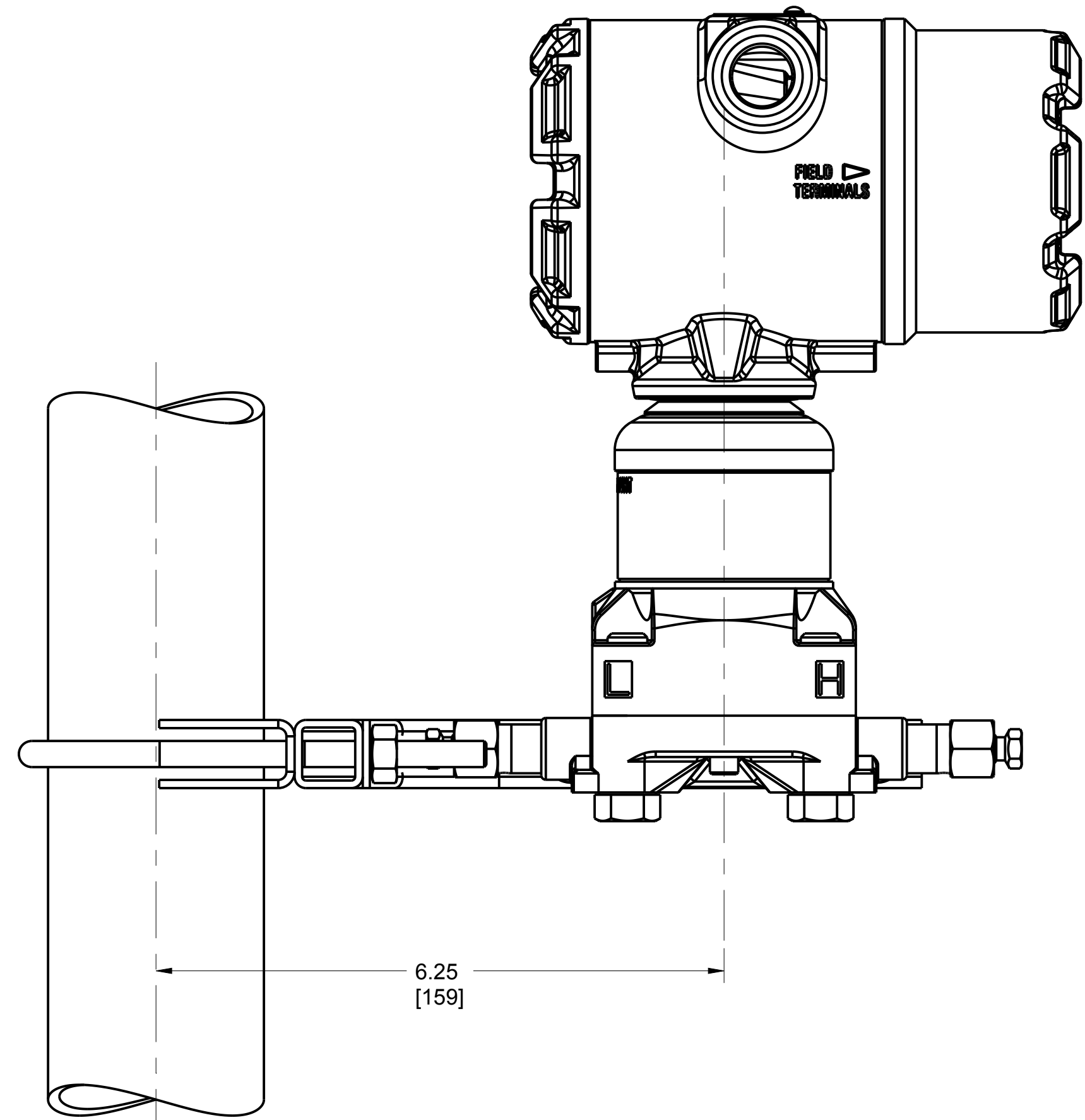
SIZE D

SCALE NTS

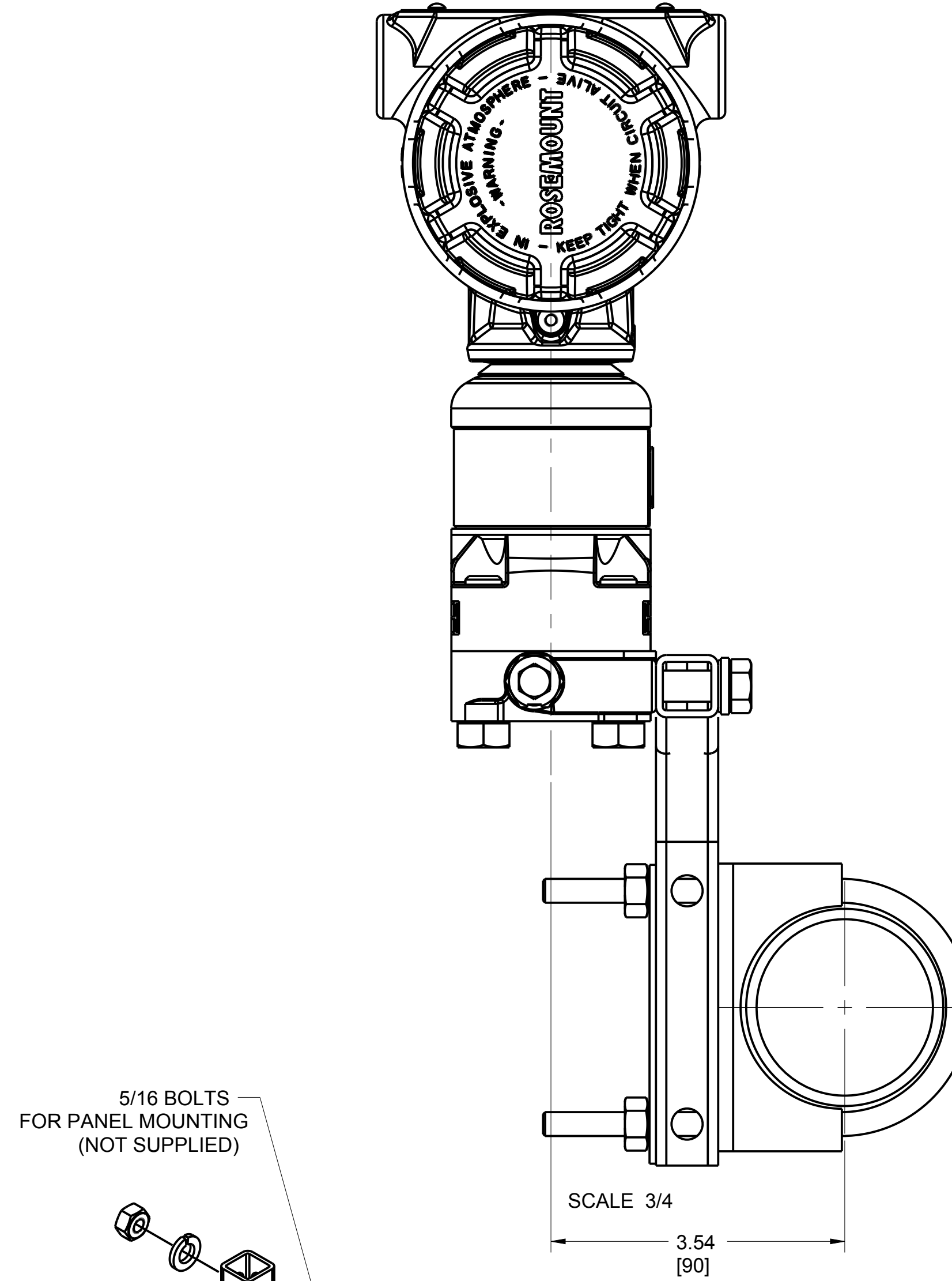
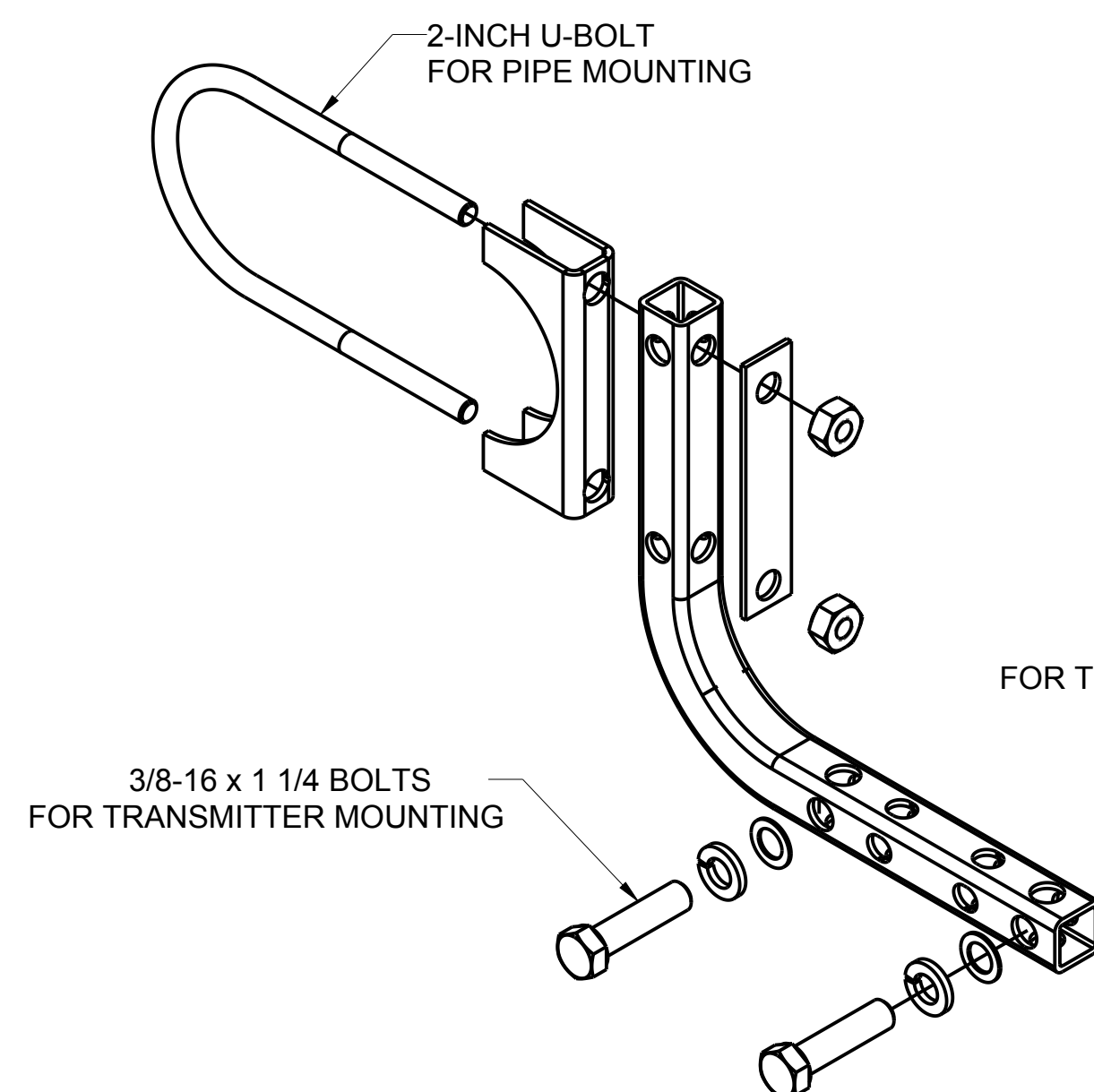
ROSEMOUNT 3051S SCALABLE OR 3051SMV MULTIVARIABLE COPLANAR PRESSURE TRANSMITTER
 COPLANAR FLANGE MOUNTING CONFIGURATIONS

PIPE MOUNTING

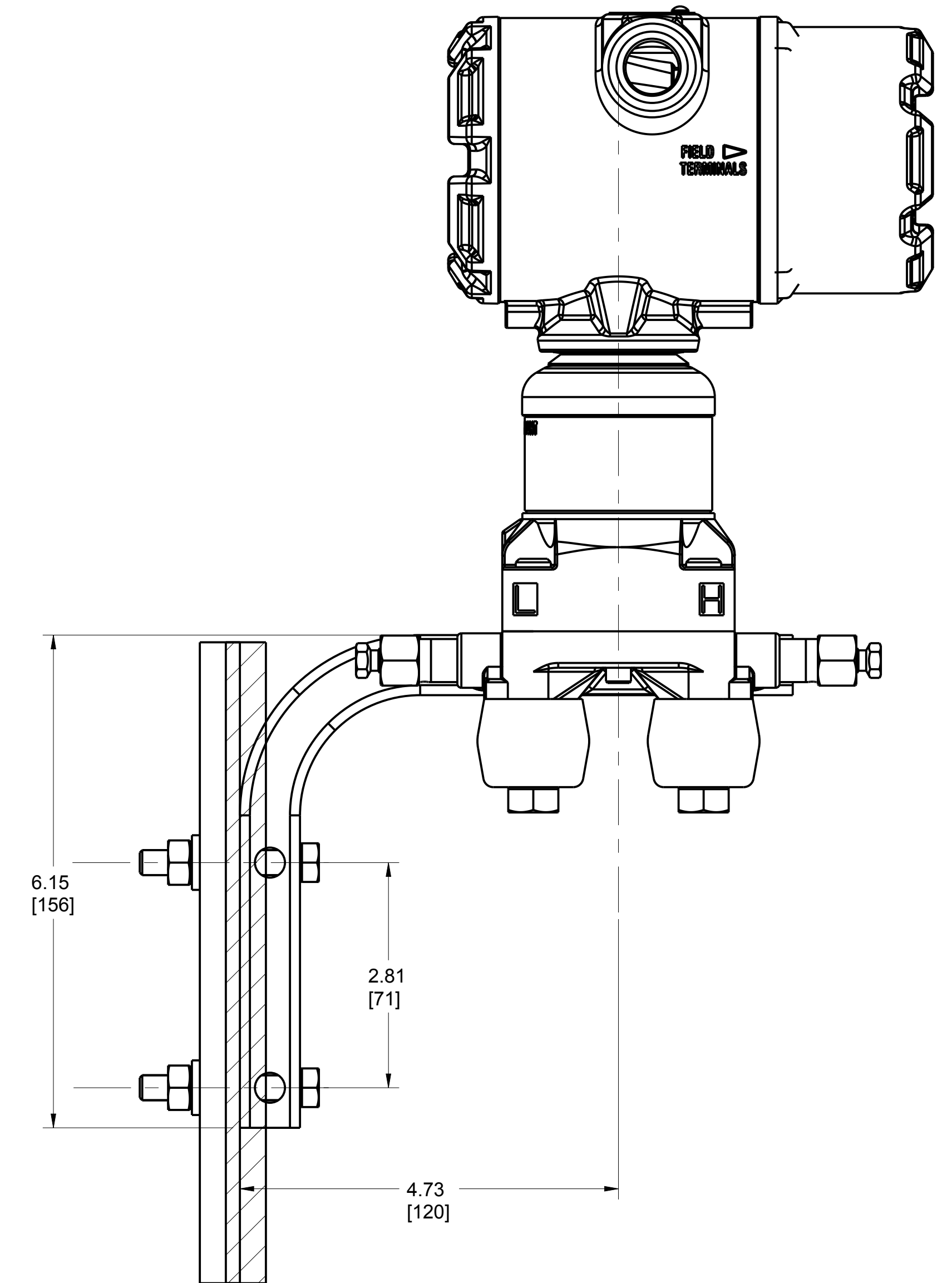
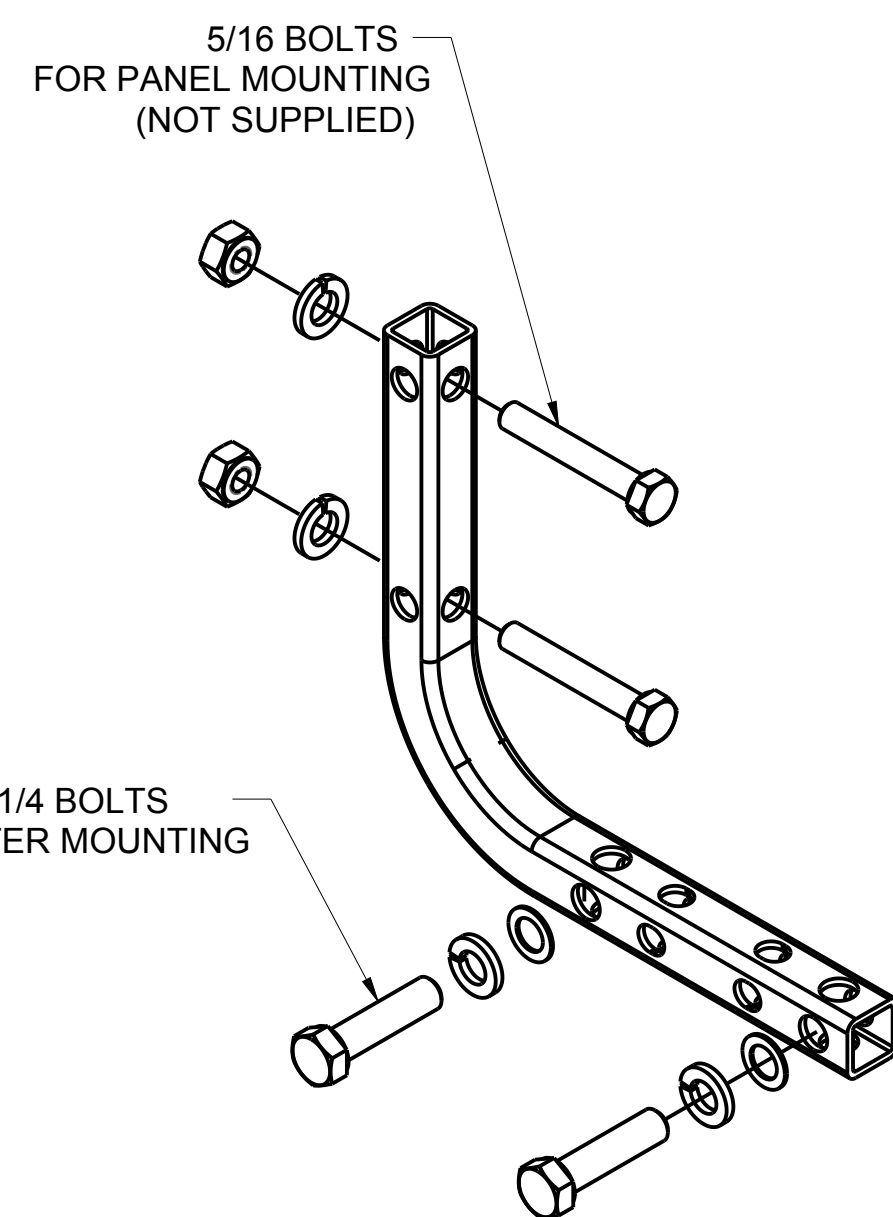
PANEL MOUNTING



SCALE 3/4



SCALE 3/4
 3.54 [90]



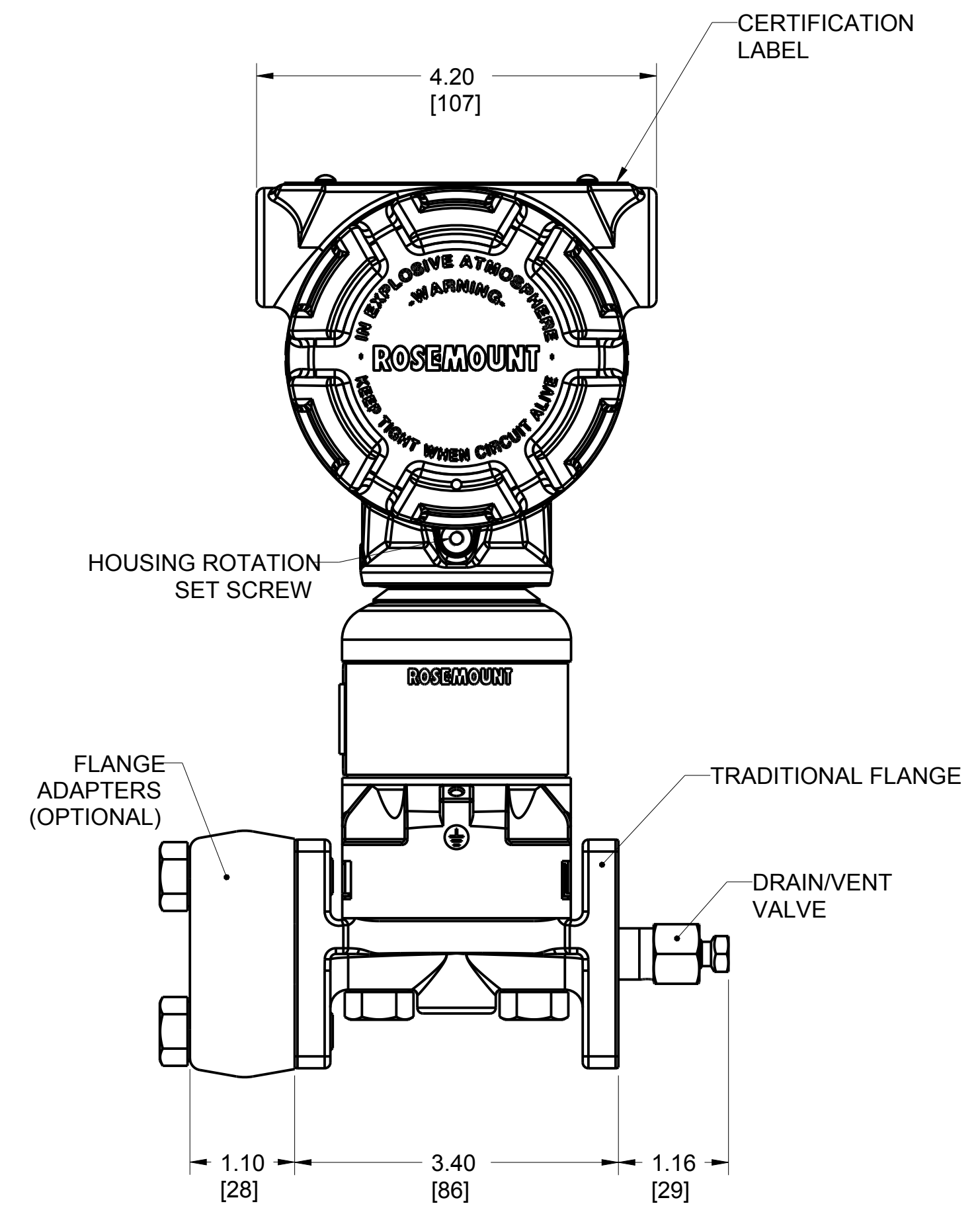
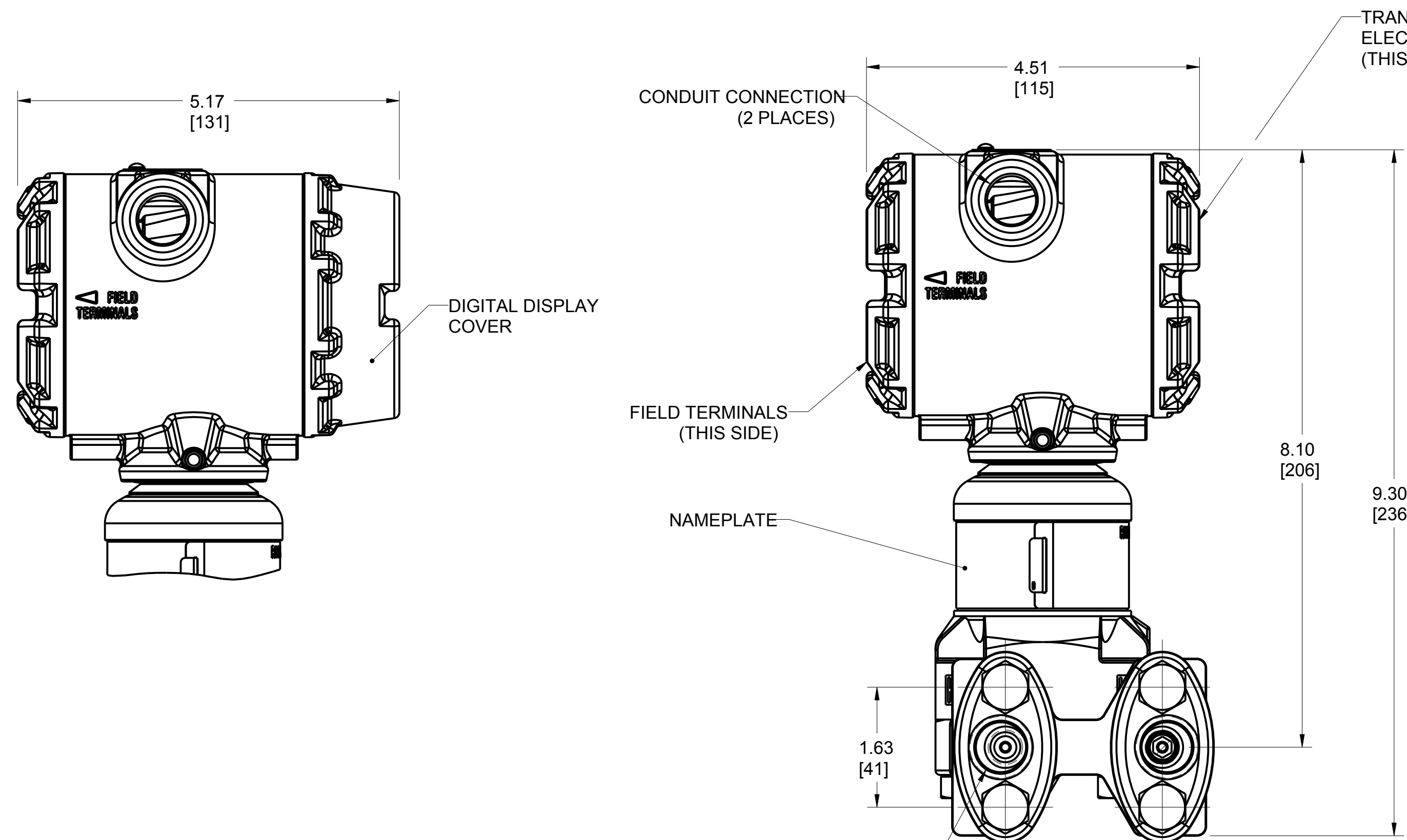
SCALE 3/4

| | | | |
|--|--|---------------|--------------|
| ©2015 ROSEMOUNT INC. ROSEMOUNT INC. CERTIFIES THIS DRAWING TO BE IN ACCORDANCE WITH ROSEMOUNT ENGINEERING SPECIFICATIONS. UNIT NOTES IN INCHES (mm). REFERENCE ROSEMOUNT PRODUCT SPECIFICATIONS. CLICK HERE | 3RD ANGLE | SIZE D | SCALE NTS |
| | | | |
| | TITLE ROSEMOUNT 3051S/3051SMV TYPE I DRAWING | | |
| | DR. NV-DLF 10/21/18 | DRAWING NO. | 03151-6000 |
| APPD E.M 12/02/12 | | | |
| CAD MAINTAINED, (PROE) | | SHEET 4 OF 10 | |

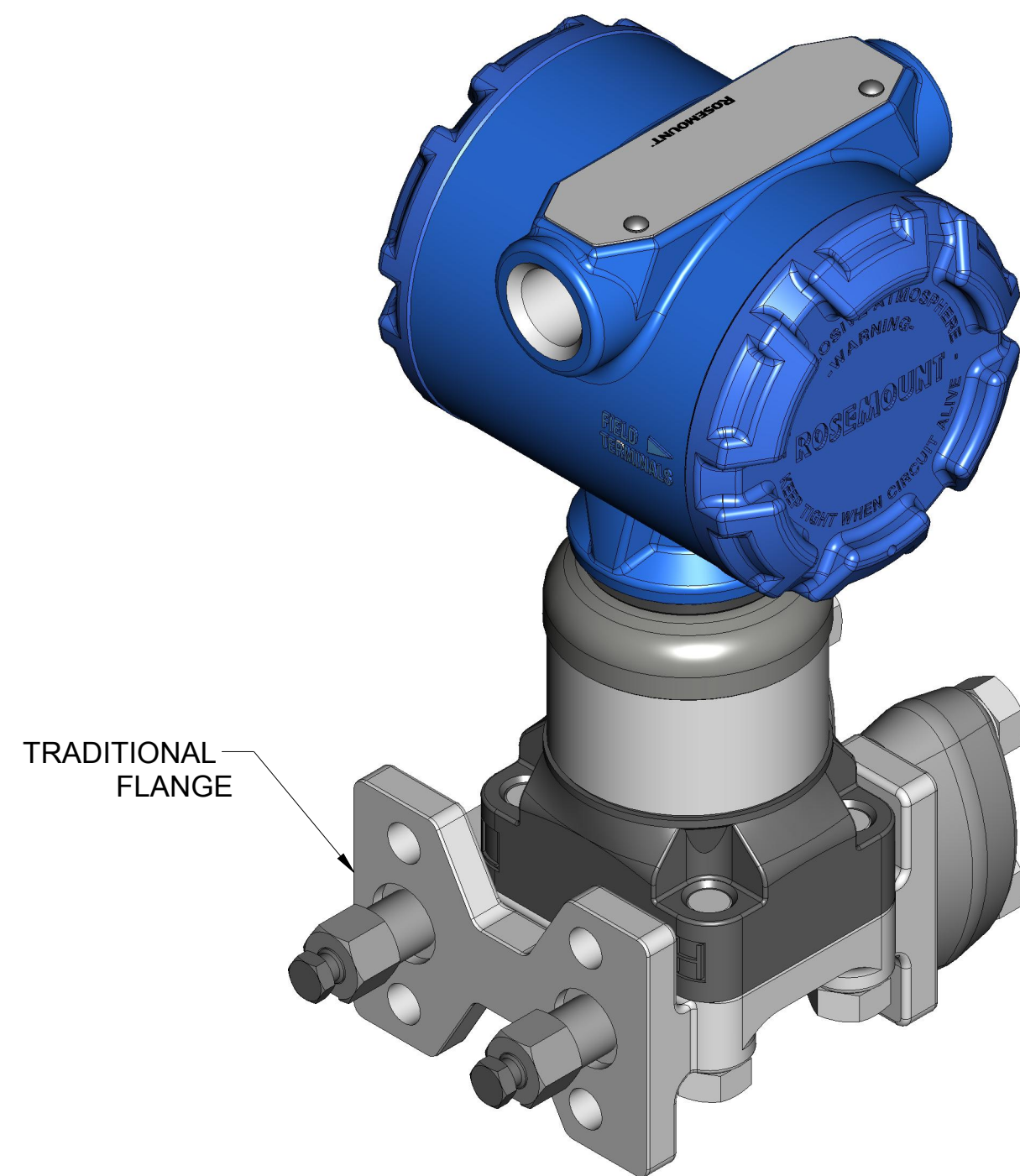
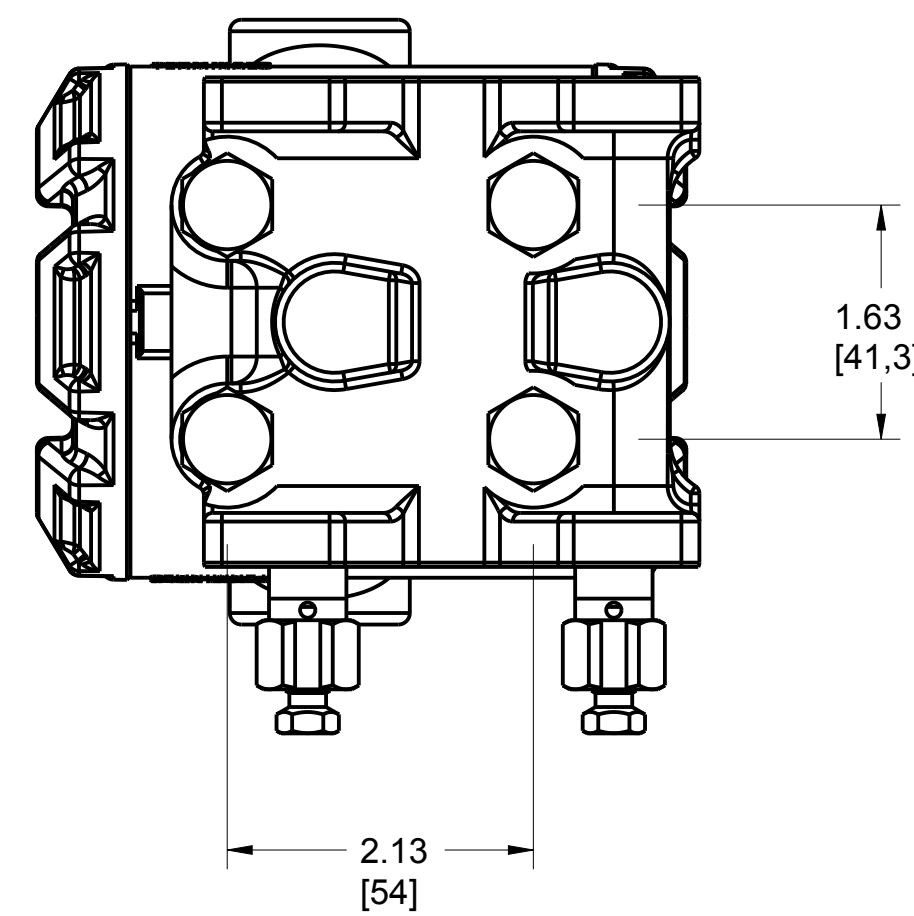
ROSEMOUNT 3051S SCALABLE OR 3051SMV MULTIVARIABLE COPLANAR PRESSURE TRANSMITTER TRADITIONAL FLANGE PROCESS CONNECTION

PLANTWEB HOUSING

PLANTWEB HOUSING
SHOWN WITH OPTIONAL DIGITAL DISPLAY

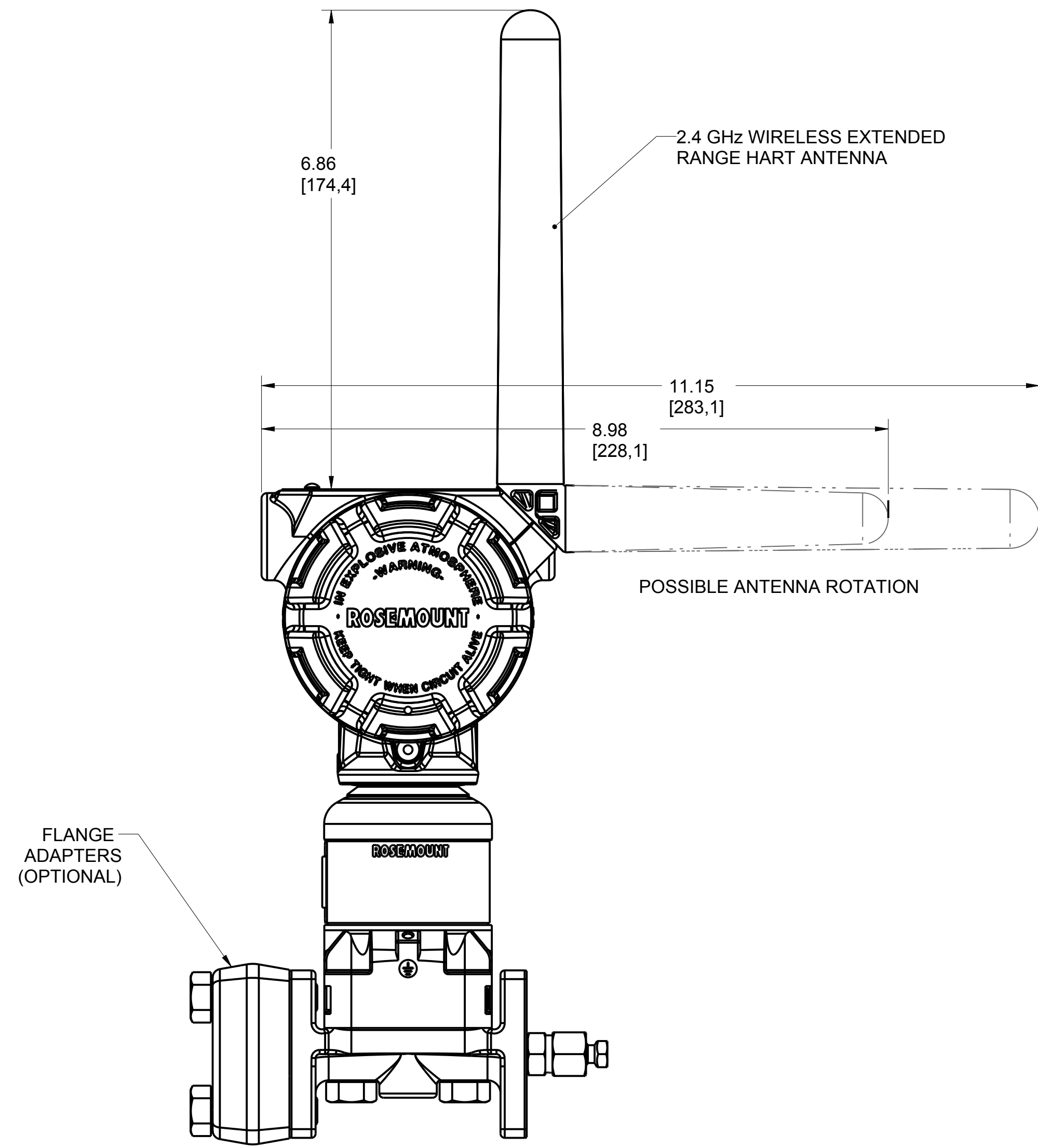


1/4-18 NPT PROCESS CONNECTION OR
1/2-14 NPT WITH OPTIONAL FLANGE
ADAPTERS. ADAPTERS CAN BE ROTATED
TO PROVIDE CONNECTION CENTERS OF
2.00 [51], 2.126 [54], OR 2.25 [57].



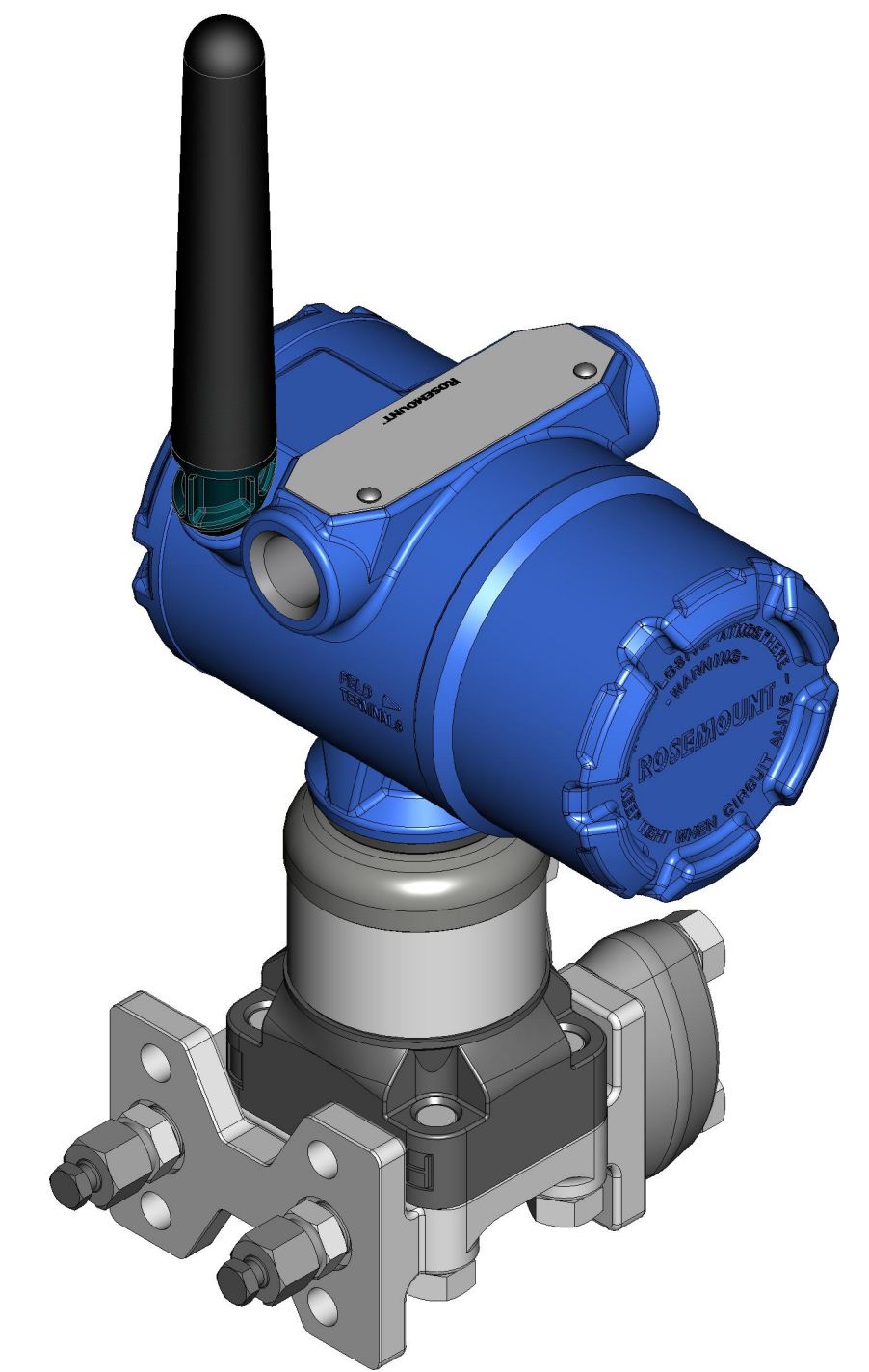
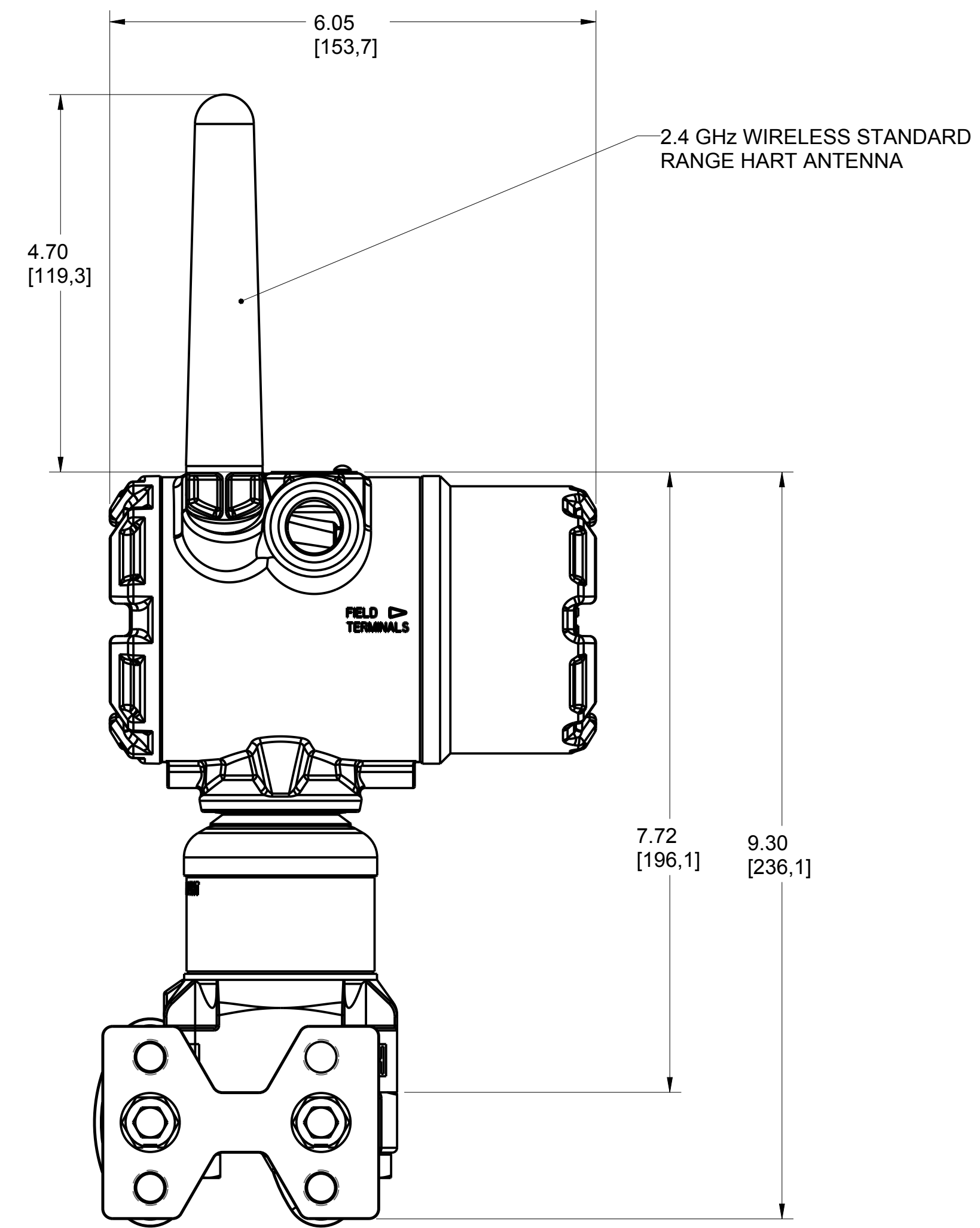
| | | | |
|--|---|---------------|--------------|
| ©2015 ROSEMOUNT INC. ROSEMOUNT INC. CERTIFIES THIS DRAWING TO BE IN ACCORDANCE WITH ROSEMOUNT ENGINEERING SPECIFICATIONS. UNIT NOTES IN INCHES (mm). REFERENCE ROSEMOUNT PRODUCT SPECIFICATIONS. CLICK HERE | 3RD ANGLE | SIZE D | SCALE NTS |
| | | | |
| | TITLE ROSEMOUNT 3051S/3051SMV TYPE I DRAWING | | |
| | DR. NV-DLF 10/21/18 | DRAWING NO. | 03151-6000 |
| APPD E.M 12/02/12 | | | |
| CAD MAINTAINED, (PROE) | | SHEET 5 OF 10 | |

WIRELESS PLANTWEB HOUSING
SHOWN WITH 2.4 GHz EXTENDED RANGE ANTENNA

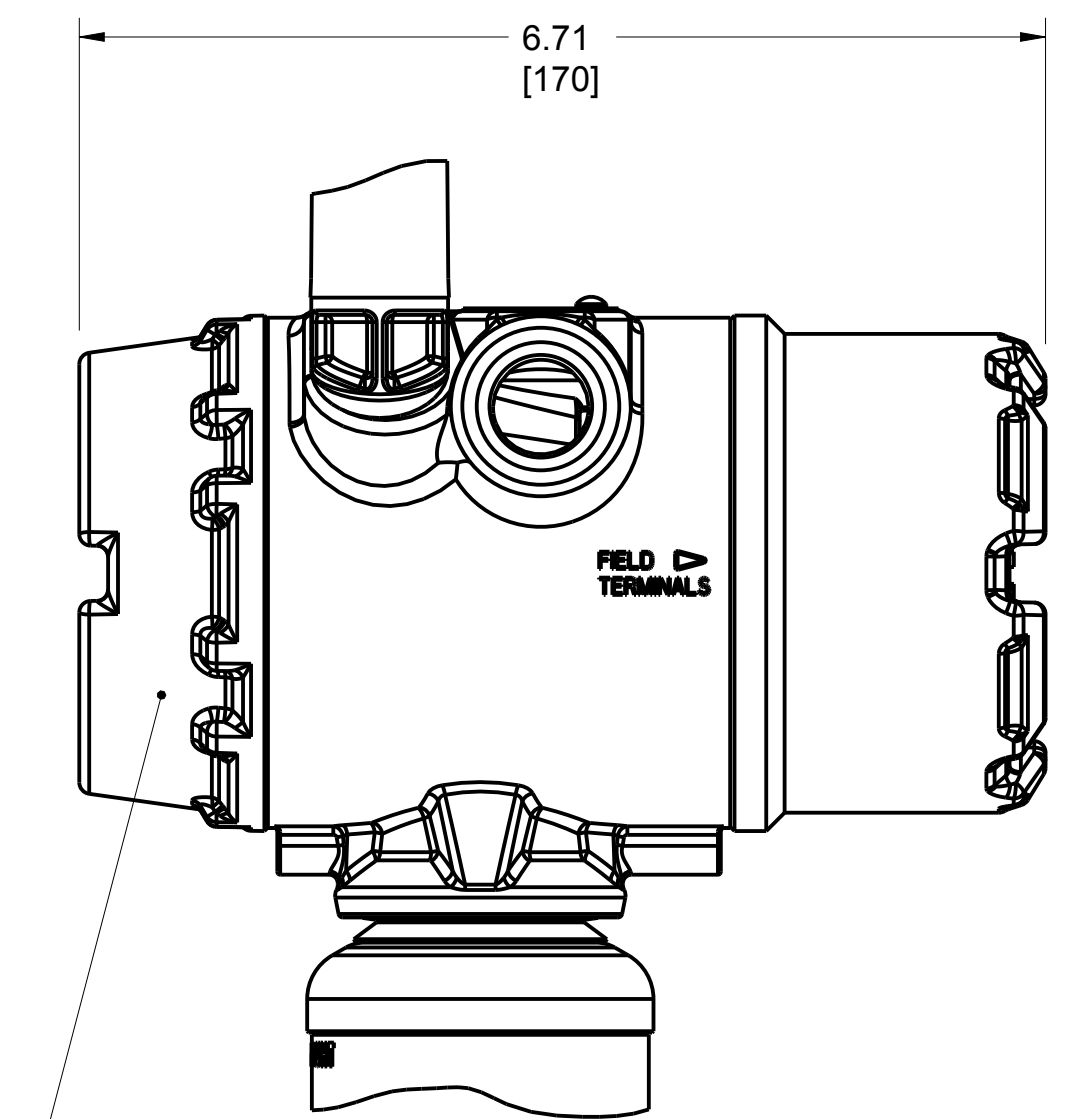
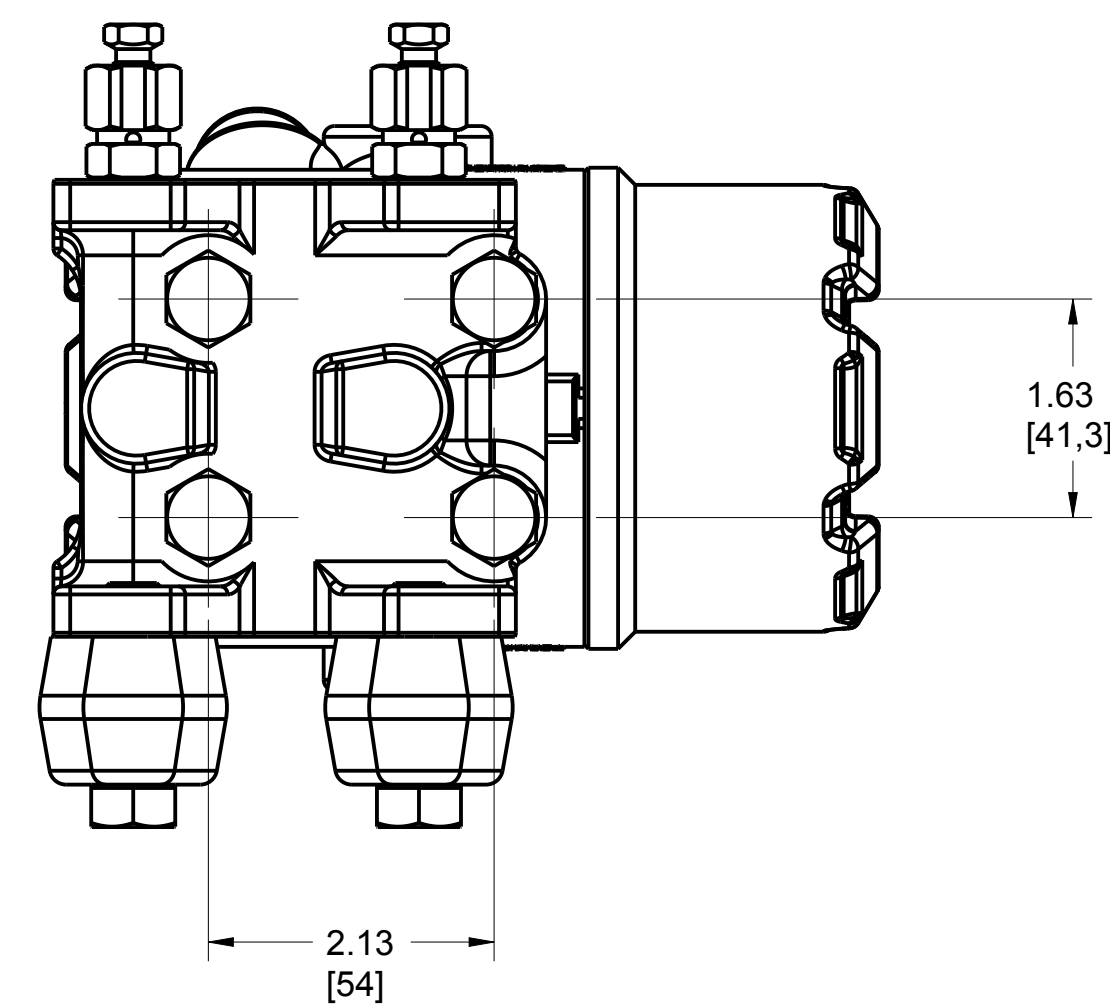


ROSEMOUNT 3051S SCALABLE COPLANAR PRESSURE TRANSMITTER, WIRELESS
TRADITIONAL FLANGE PROCESS CONNECTION

WIRELESS PLANTWEB HOUSING
SHOWN WITH 2.4 GHz STANDARD RANGE ANTENNA



WIRELESS PLANTWEB HOUSING
SHOWN WITH OPTIONAL DIGITAL DISPLAY

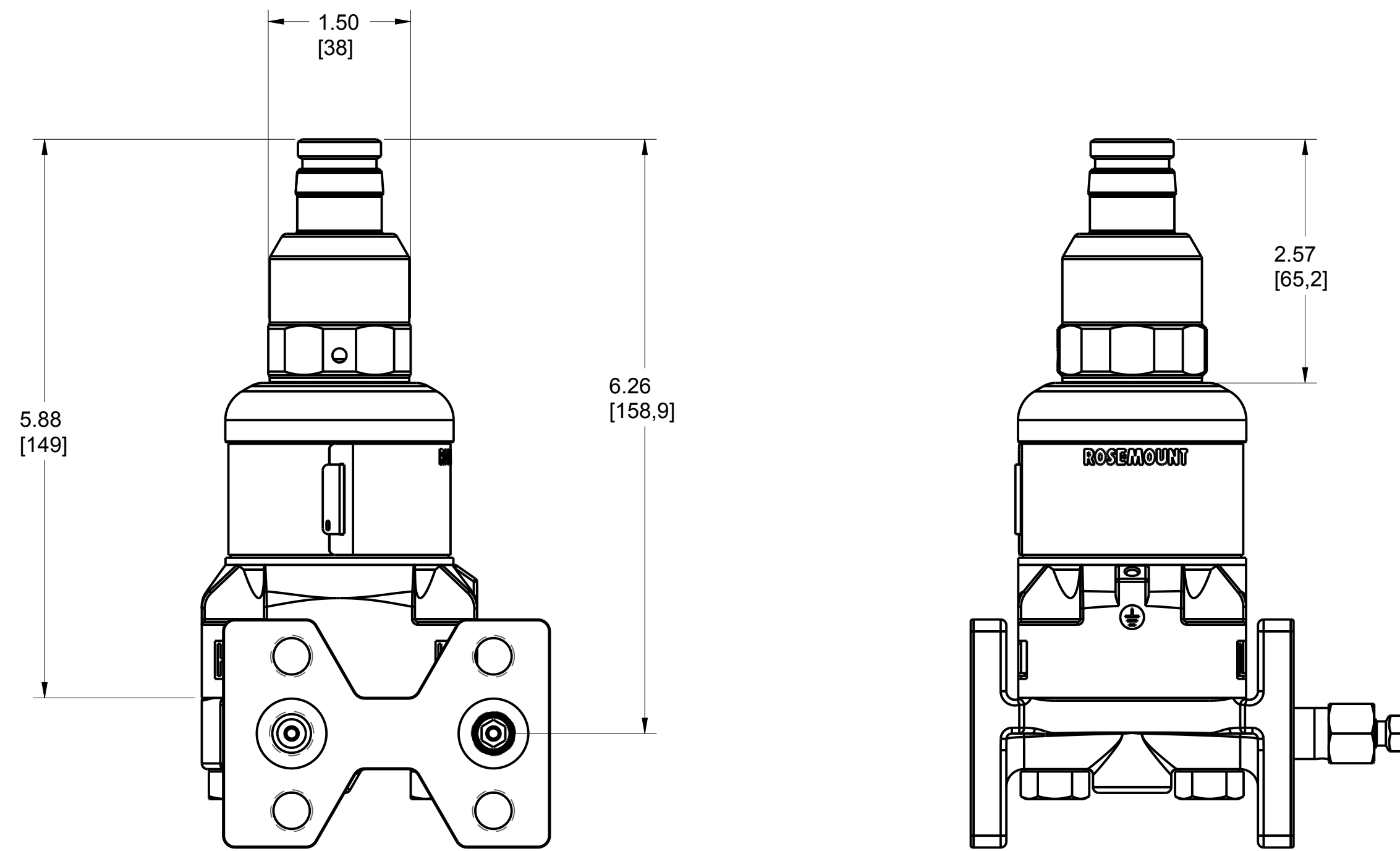


DIGITAL DISPLAY
COVER

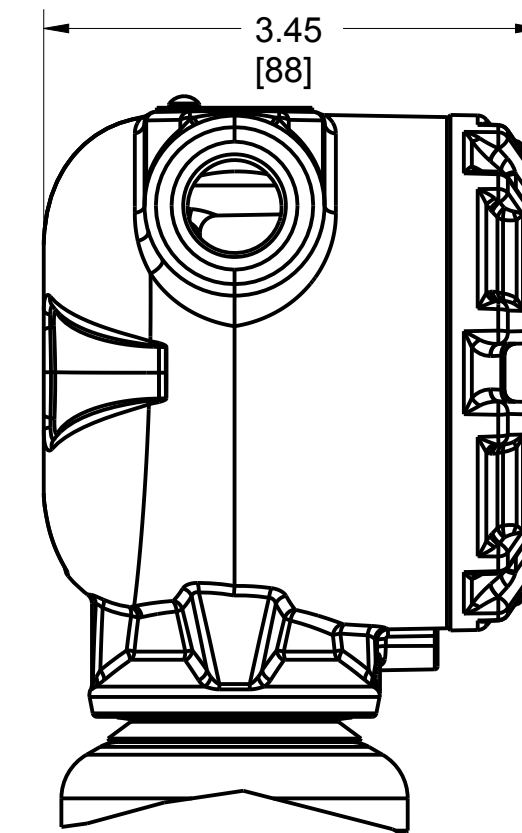
| | | | |
|--|---|-------------------------------|--------------------------|
| <p>©2015 ROSEMOUNT INC. ROSEMOUNT INC. CERTIFIES THIS DRAWING TO BE IN ACCORDANCE WITH ROSEMOUNT ENGINEERING SPECIFICATIONS. UNIT NOTES IN INCHES (mm). REFERENCE ROSEMOUNT PRODUCT SPECIFICATIONS. CLICK HERE</p> | <p>3RD ANGLE</p> | <p>SIZE D</p> | <p>SCALE NTS</p> |
| | <p>EMERSON</p> | | |
| | <p>TITLE ROSEMOUNT 3051S/3051SMV TYPE I DRAWING</p> | | |
| | <p>DR. NV-DLF 10/21/18</p> | <p>DRAWING NO. 03151-6000</p> | <p>APPD E.M 12/02/12</p> |
| <p>CAD MAINTAINED, (PROE)</p> | | <p>SHEET 6 OF 10</p> | |

ROSEMOUNT 3051S PRESSURE TRANSMITTER (ONLY)

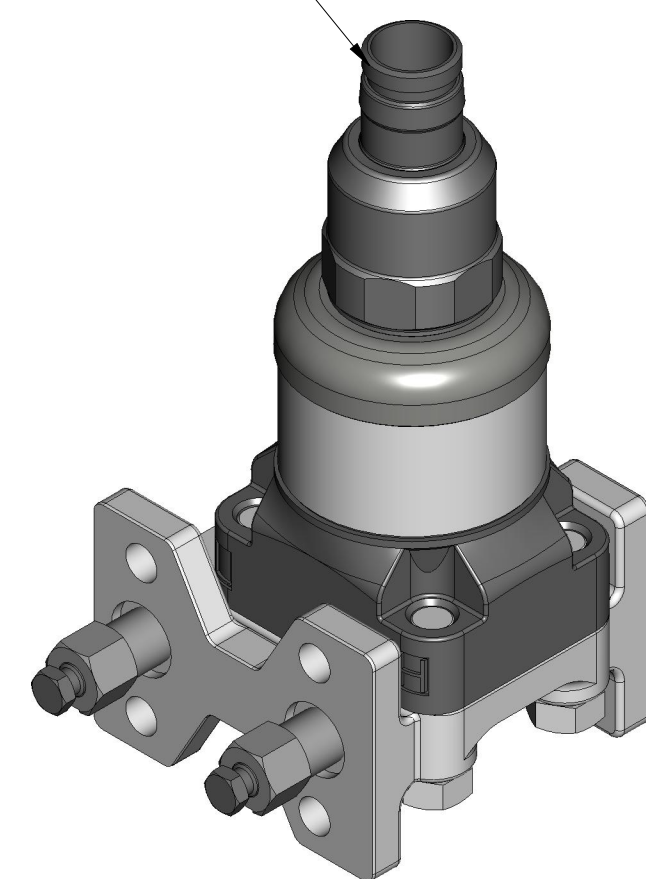
QUICK CONNECT HOUSING (TRADITIONAL FLANGE)



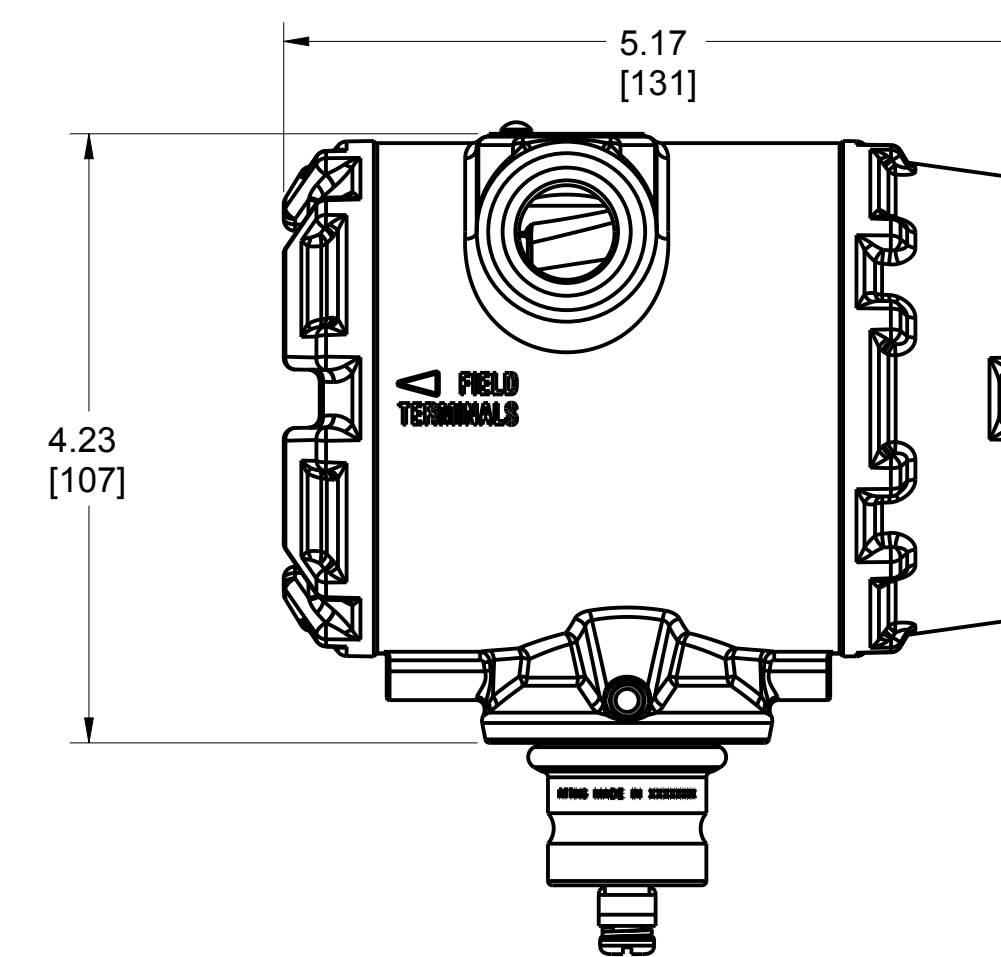
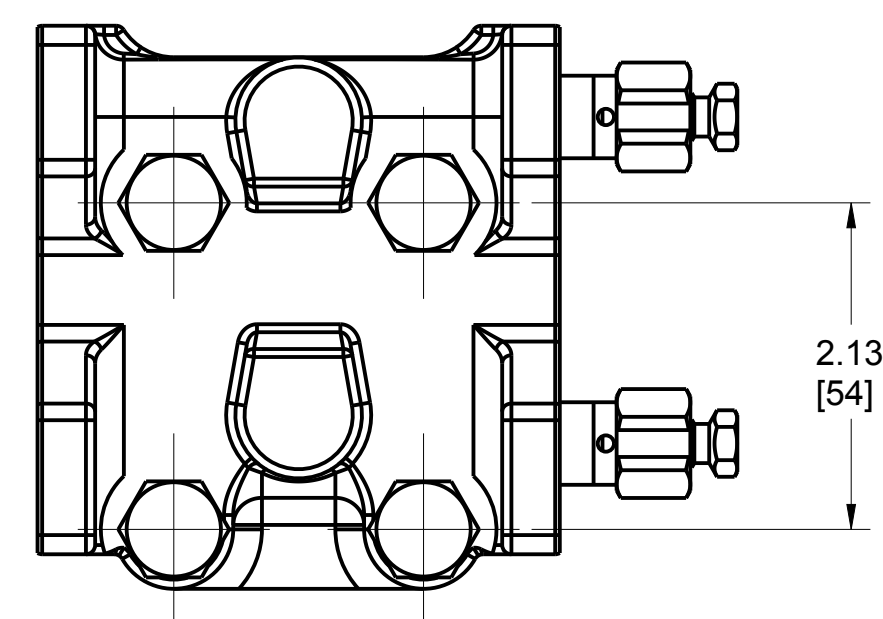
JUNCTION BOX HOUSING



QUICK CONNECT



REMOTE METER OPTION

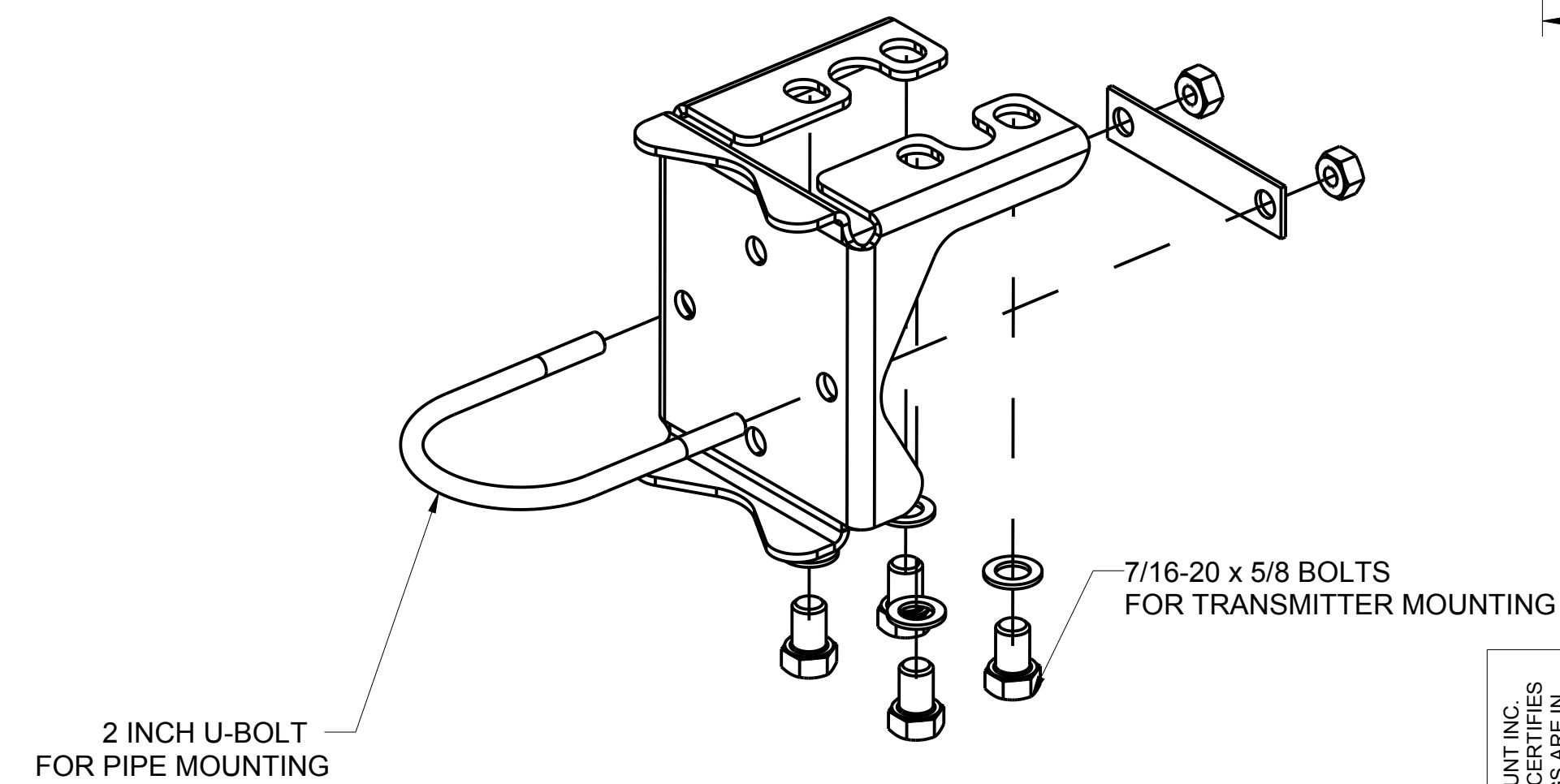
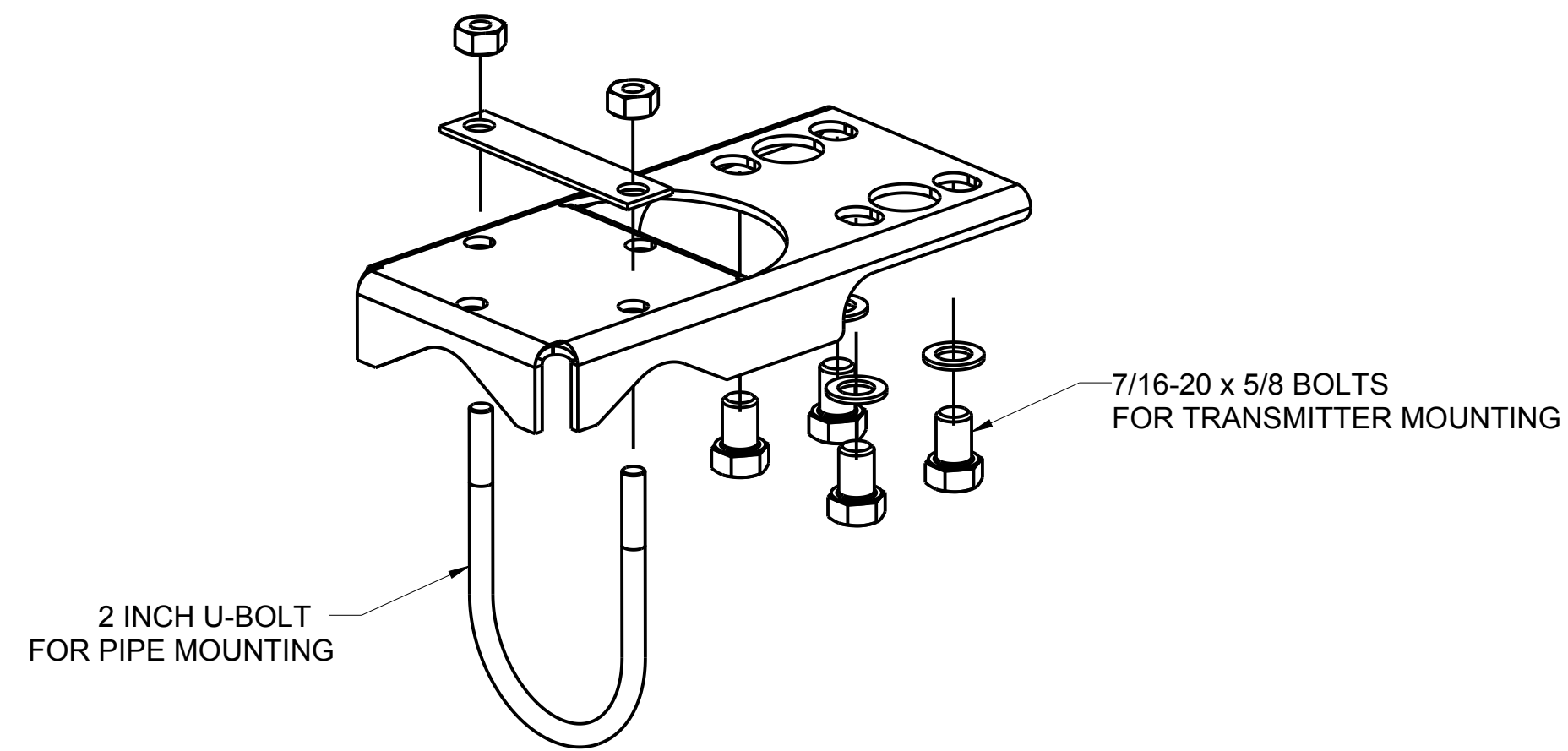
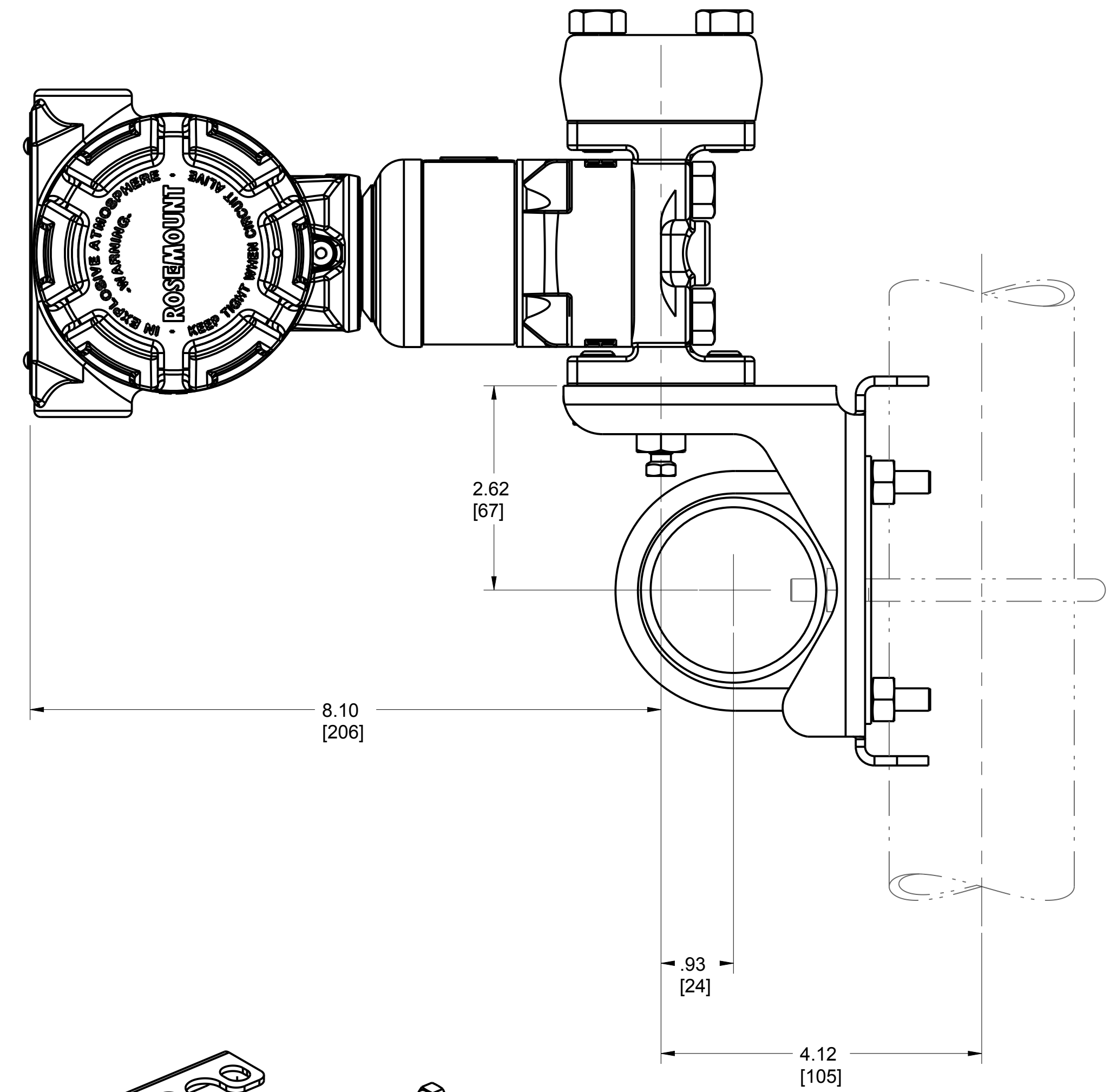
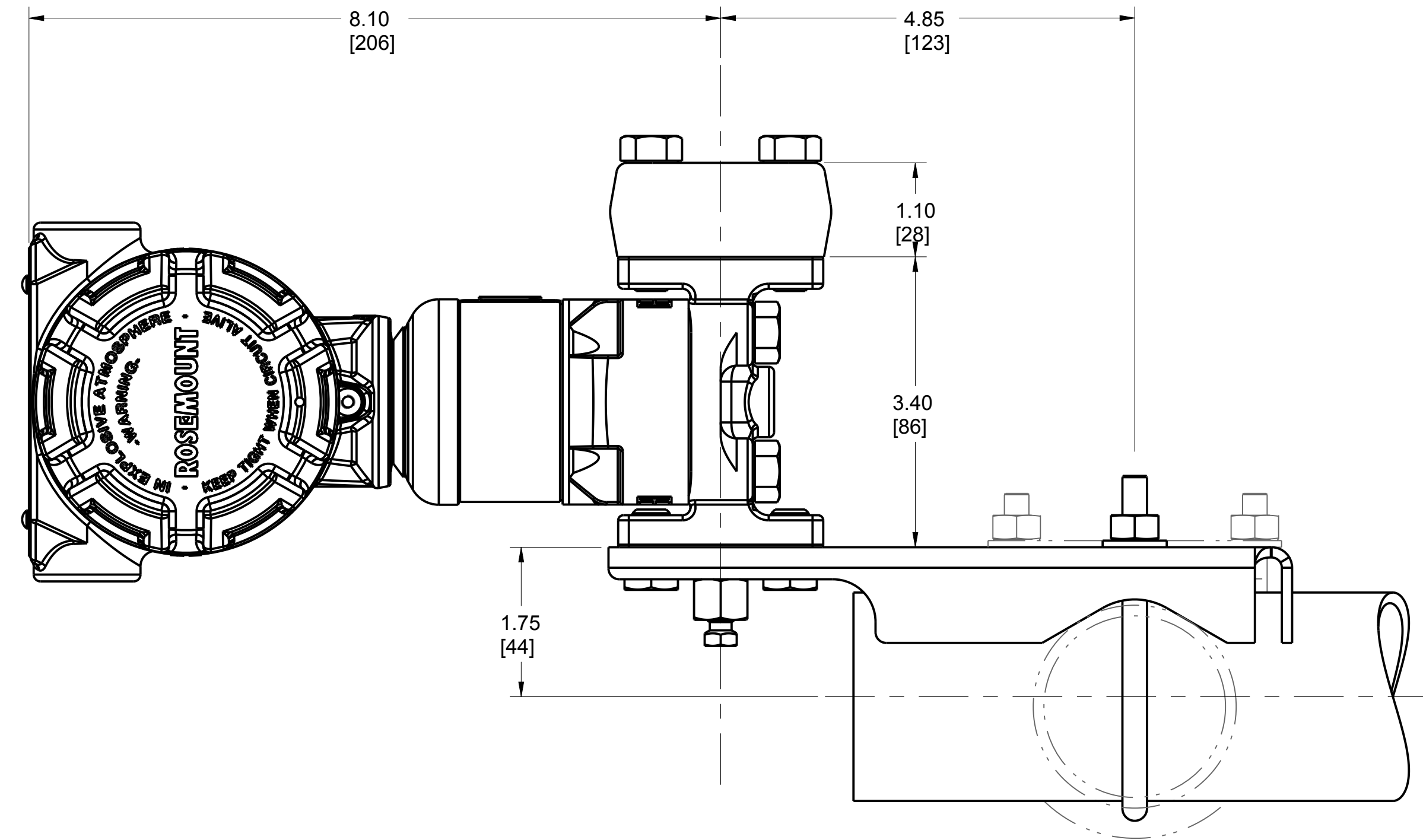


SCALE 3/4

| | | | | | | |
|--|--|-----------------|-------------------------------|-------------------|----------------------|----------------------|
| <p>©2015 ROSEMOUNT INC. ROSEMOUNT INC. CERTIFIES THIS DRAWING IS IN ACCORDANCE WITH ROSEMOUNT ENGINEERING SPECIFICATIONS. UNIT NOTES IN INCHES (mm).</p> <p>REFERENCE ROSEMOUNT PRODUCT SPECIFICATIONS. CLICK HERE</p> | | | <p>3RD ANGLE</p> | <p>SIZE D</p> | <p>SCALE NTS</p> | |
| | <p>TITLE ROSEMOUNT 3051S/3051SMV TYPE I DRAWING</p> | | | | | |
| | <p>DR. NV-DLF</p> | <p>10/21/18</p> | <p>DRAWING NO.</p> | <p>03151-6000</p> | | |
| | <p>APPD E.M</p> | <p>12/02/12</p> | <p>CAD MAINTAINED, (PROE)</p> | | | <p>SHEET 7 OF 10</p> |

ROSEMOUNT 3051S SCALABLE OR 3051SMV MULTIVARIABLE COPLANAR PRESSURE TRANSMITTER
TRADITIONAL FLANGE MOUNTING CONFIGURATIONS

PIPE MOUNTING



©2015 ROSEMOUNT INC.
ROSEMOUNT INC. CERTIFIES
THIS DRAWING IS MADE
IN ACCORDANCE WITH
ROSEMOUNT ENGINEERING
SPECIFICATIONS.
UNIT NOTES IN INCHES (mm).
REFERENCE ROSEMOUNT
PRODUCT SPECIFICATIONS.
CLICK HERE

3RD ANGLE

SIZE D SCALE NTS

EMERSON

TITLE ROSEMOUNT 3051S/3051SMV
TYPE I DRAWING

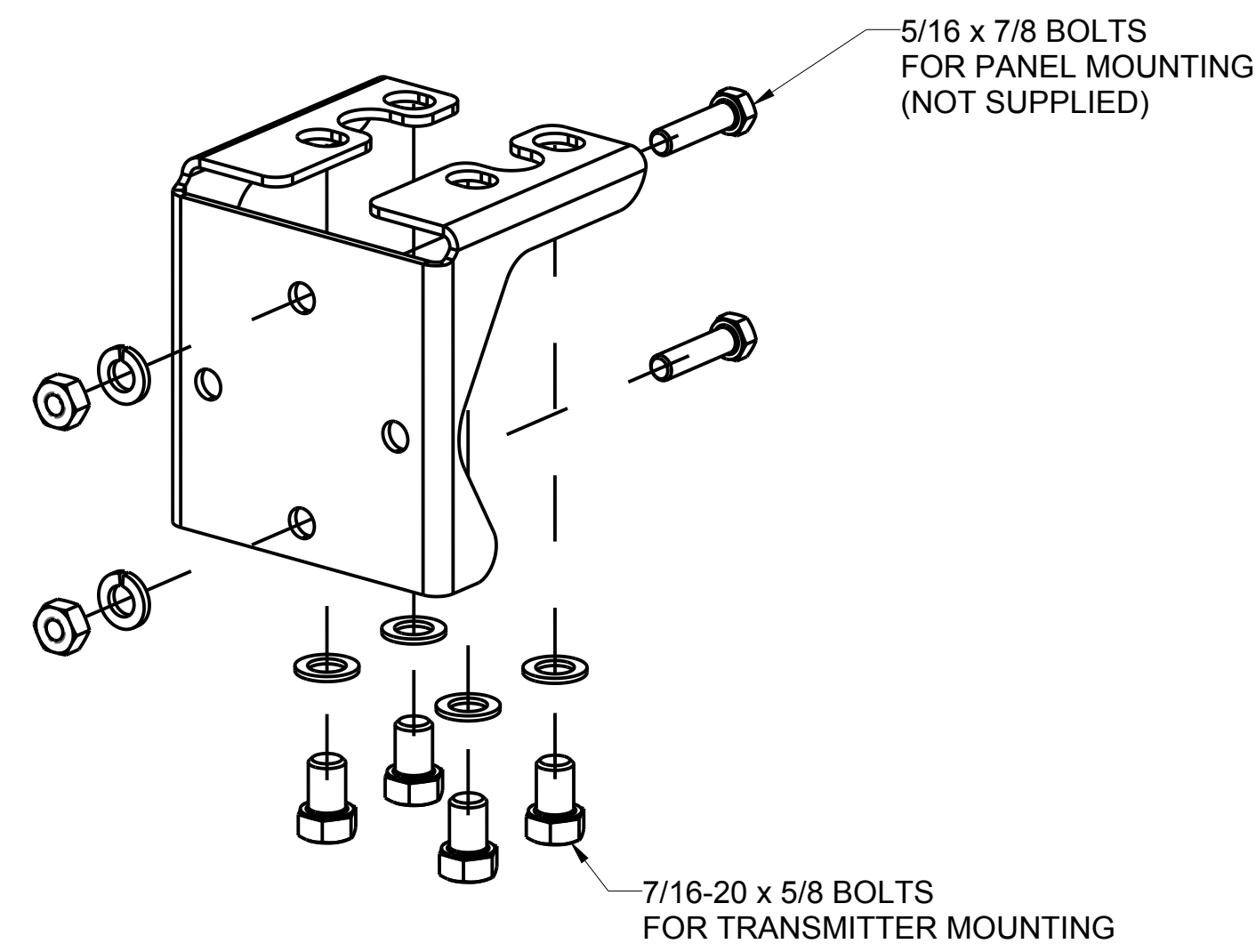
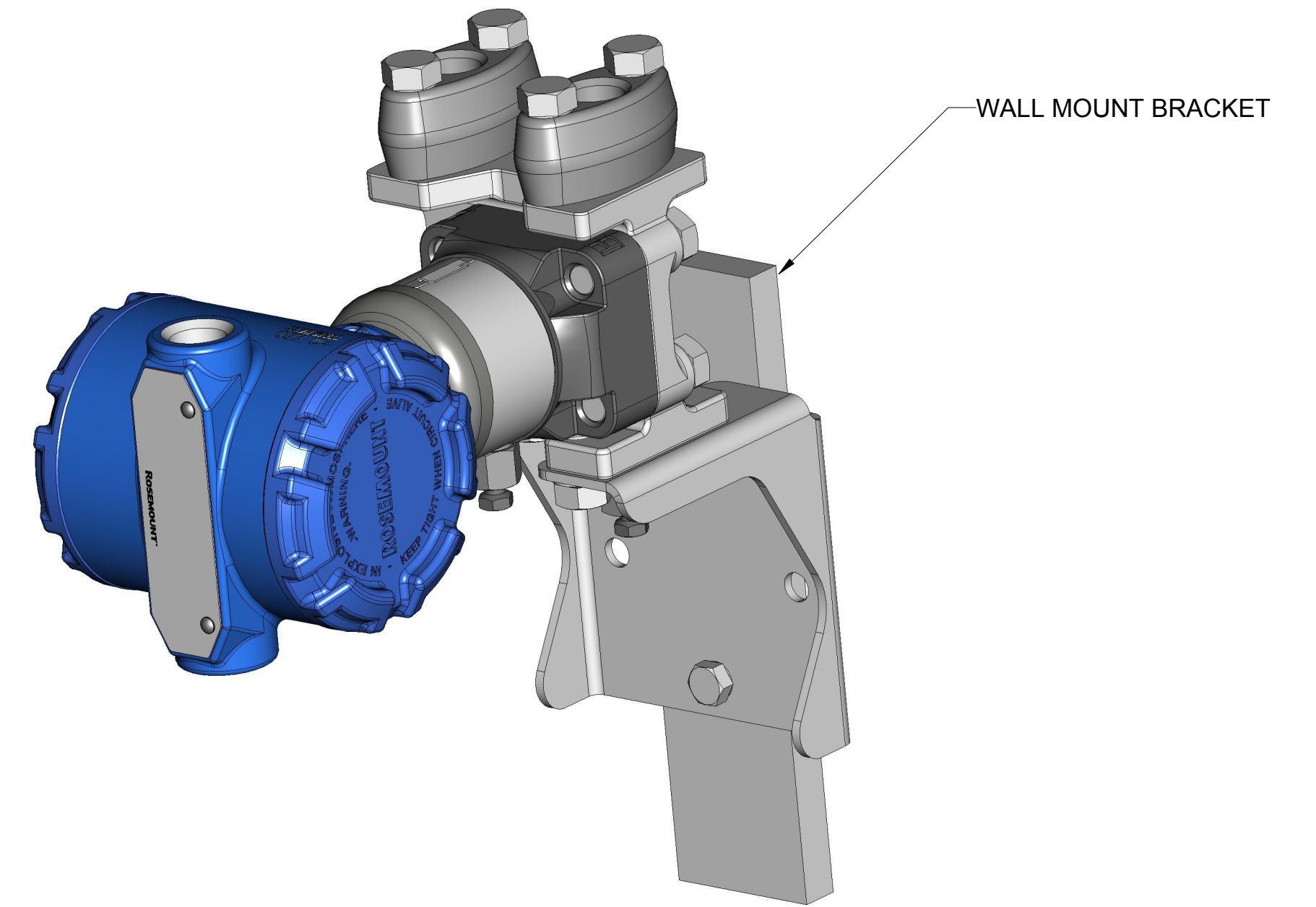
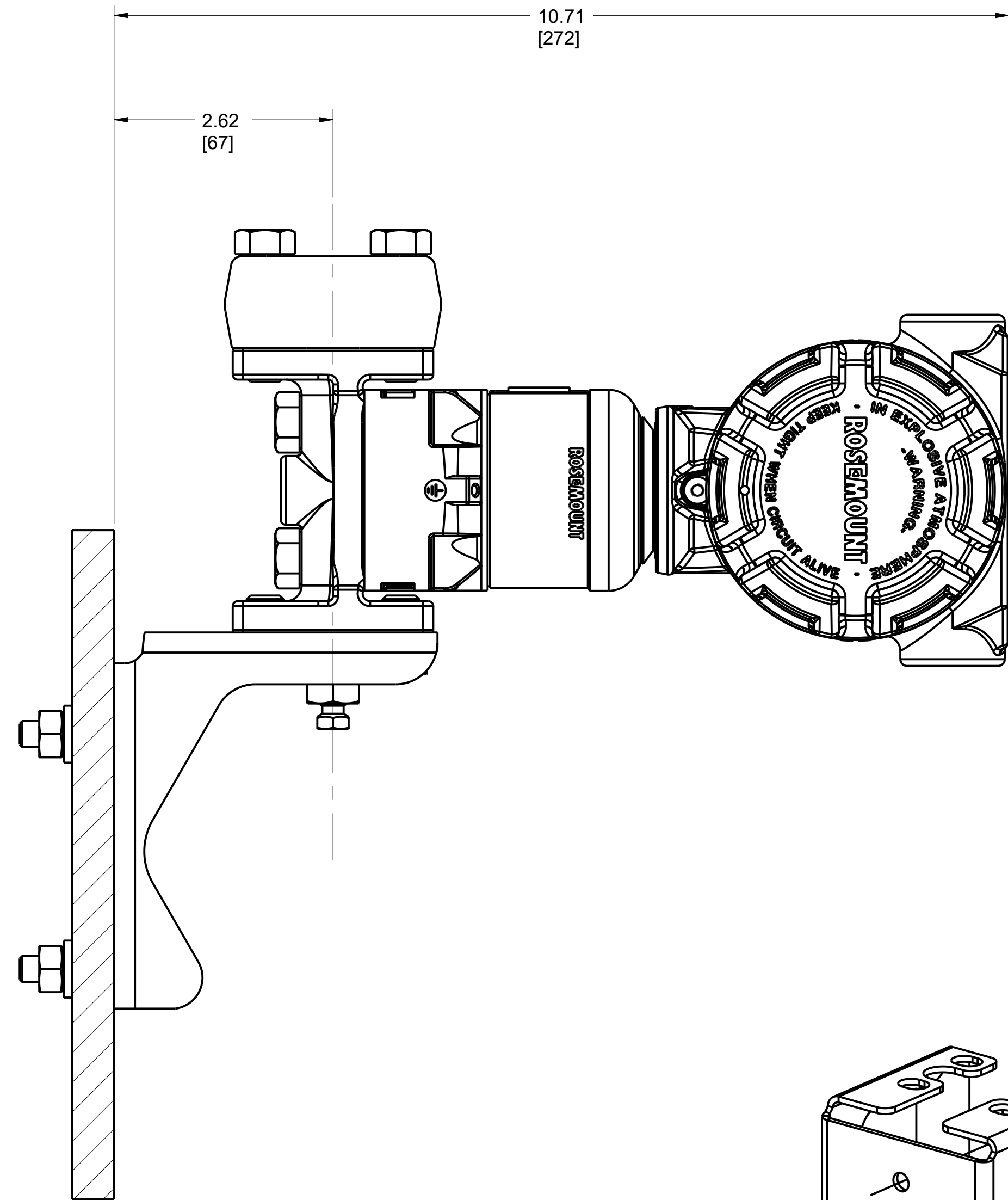
DR. NV-DLF 10/21/18 DRAWING NO. 03151-6000

APPD E.M 12/02/12

CAD MAINTAINED, (PROE) SHEET 8 OF 10

ROSEMOUNT 3051S SCALABLE OR 3051SMV MULTIVARIABLE COPLANAR PRESSURE TRANSMITTER
TRADITIONAL FLANGE MOUNTING CONFIGURATION

PANEL MOUNTING



©2015 ROSEMOUNT INC.
ROSEMOUNT INC. CERTIFIES
THIS DRAWING IS MADE IN
ACCORDANCE WITH
ROSEMOUNT ENGINEERING
SPECIFICATIONS.
UNIT NOTES IN INCHES (mm).
REFERENCE ROSEMOUNT
PRODUCT SPECIFICATIONS.
CLICK HERE

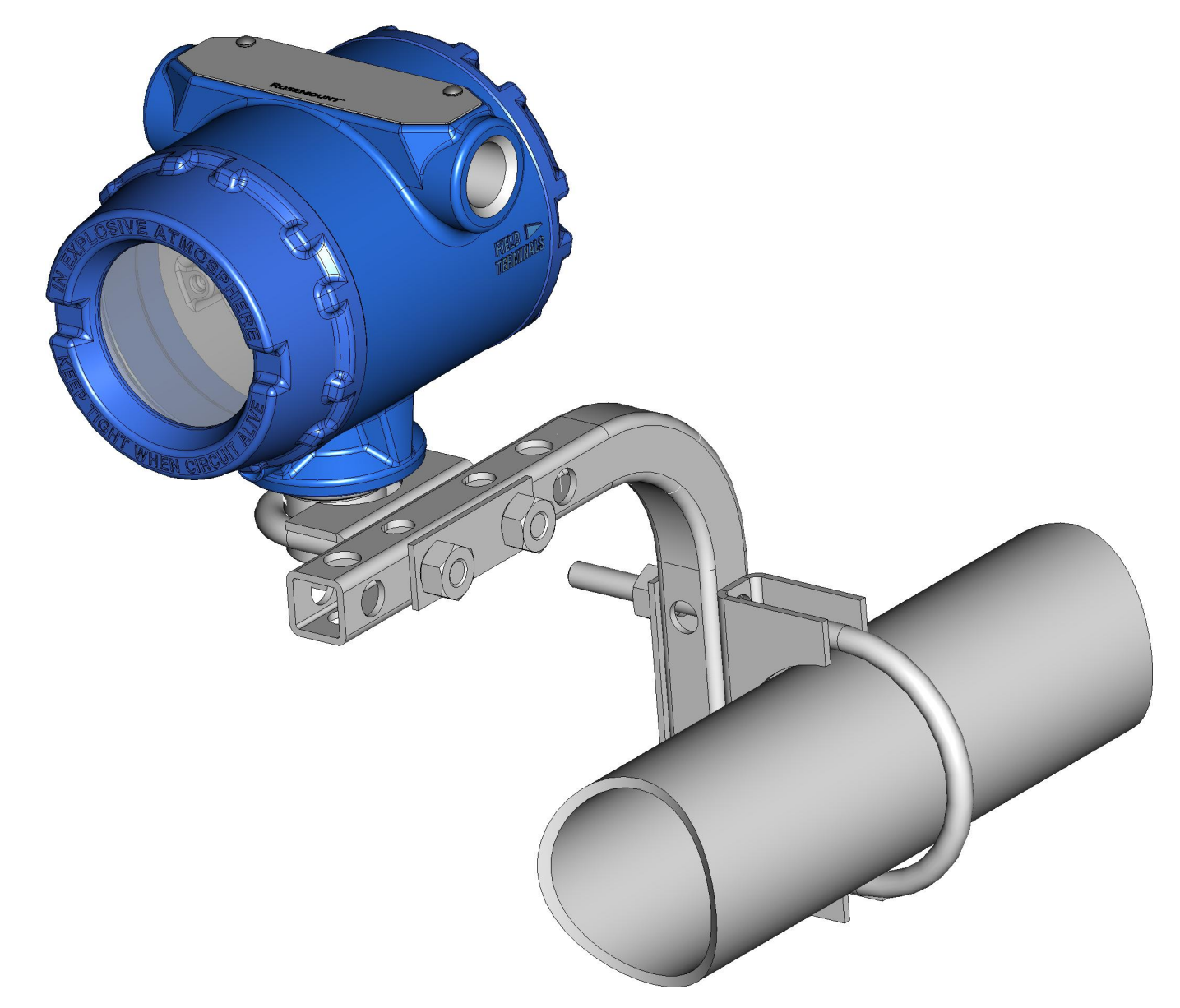
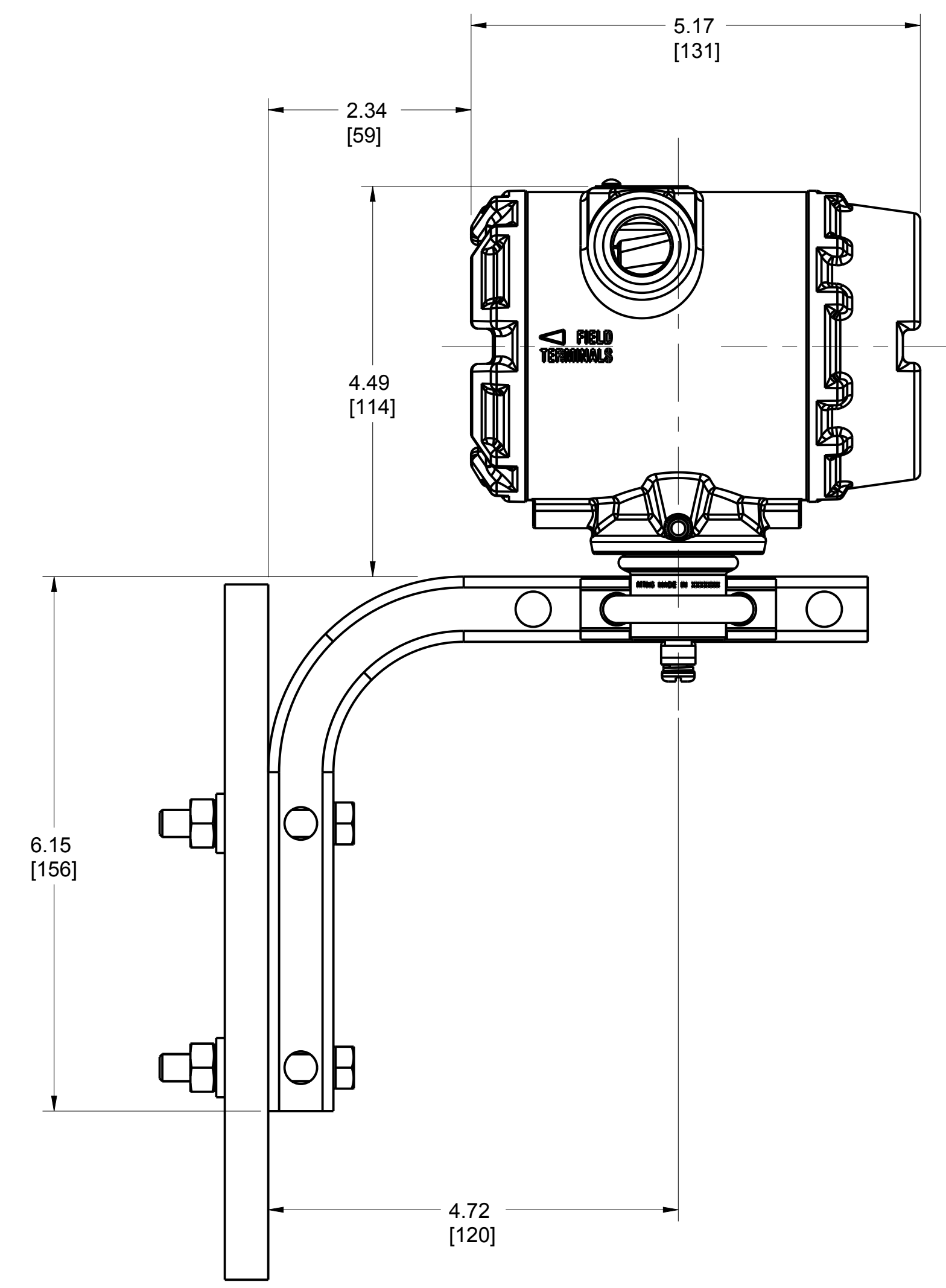
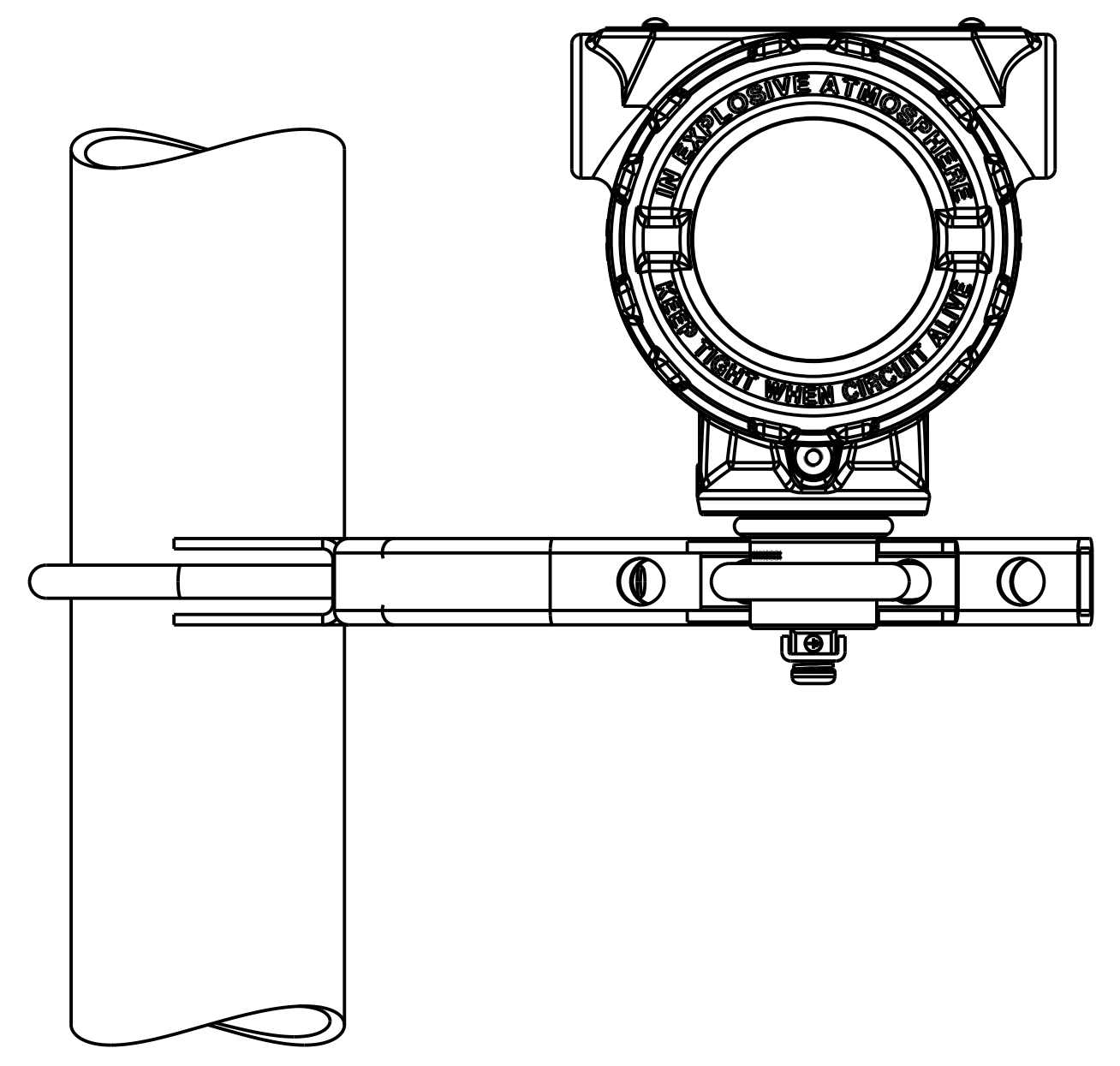
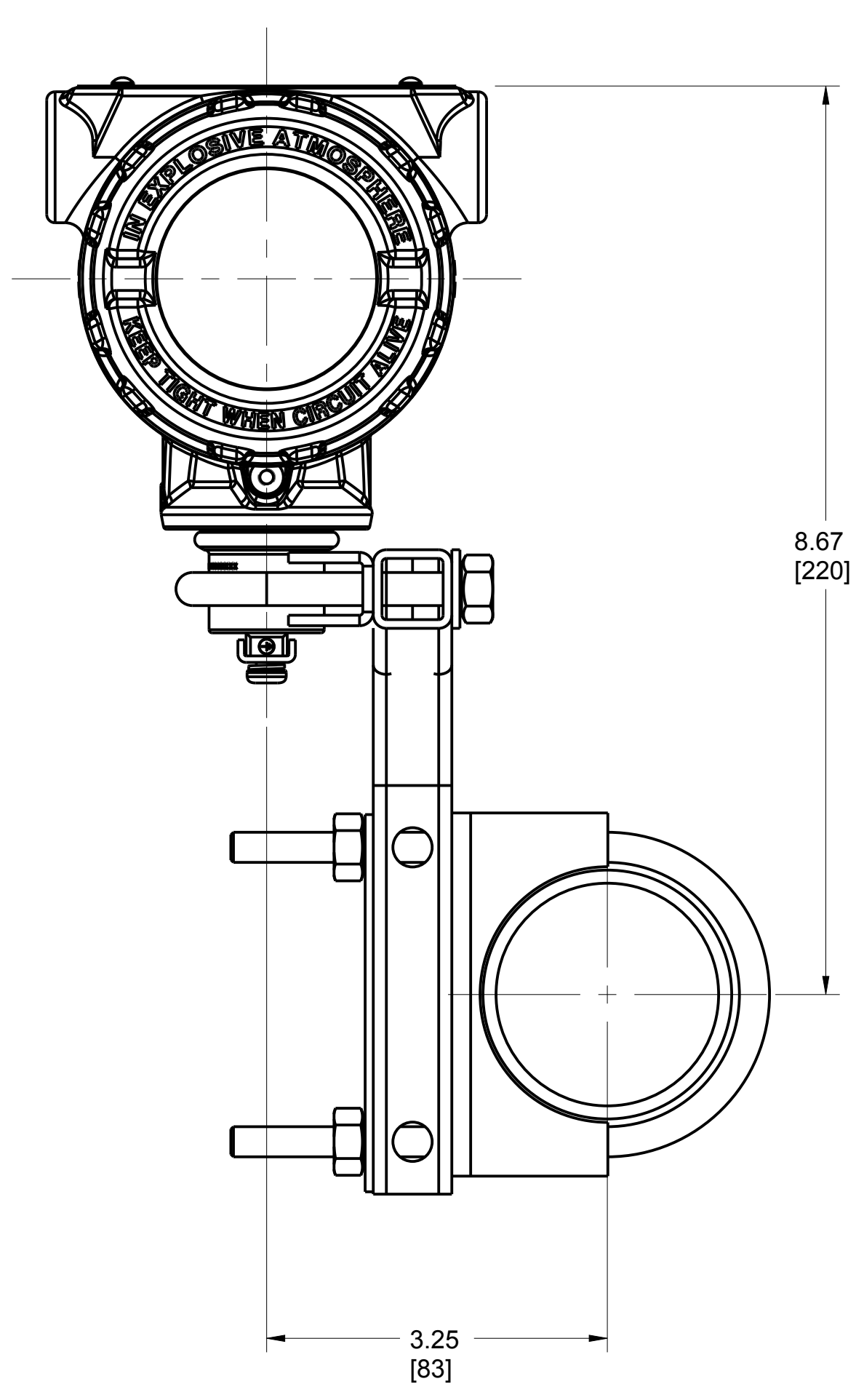
3RD ANGLE

EMERSON

TITLE ROSEMOUNT 3051S/3051SMV
TYPE I DRAWING

| | | | | |
|------------------------|--------|----------|-------------|---------------|
| DR. | NV-DLF | 10/21/18 | DRAWING NO. | |
| APP'D | E.M | 12/02/12 | | 03151-6000 |
| CAD MAINTAINED, (PROE) | | | | SHEET 9 OF 10 |

REMOTE DISPLAY MOUNTING CONFIGURATIONS (B4 MOUNTING BRACKET)
(3051S ONLY)



©2015 ROSEMOUNT INC.
ROSEMOUNT INC. CERTIFIES
THIS DRAWING IS MADE
IN ACCORDANCE WITH
ROSEMOUNT ENGINEERING
SPECIFICATIONS.
UNIT NOTES IN INCHES (mm).
REFERENCE ROSEMOUNT
PRODUCT SPECIFICATIONS.
CLICK HERE

EMERSON

TITLE ROSEMOUNT 3051S/3051SMV
TYPE I DRAWING

DR. NV-DLF 10/21/18 DRAWING NO. 03151-6000
APPD E.M 12/02/12

CAD MAINTAINED, (PROE) SHEET 10 OF 10

3RD ANGLE

SIZE D SCALE NTS