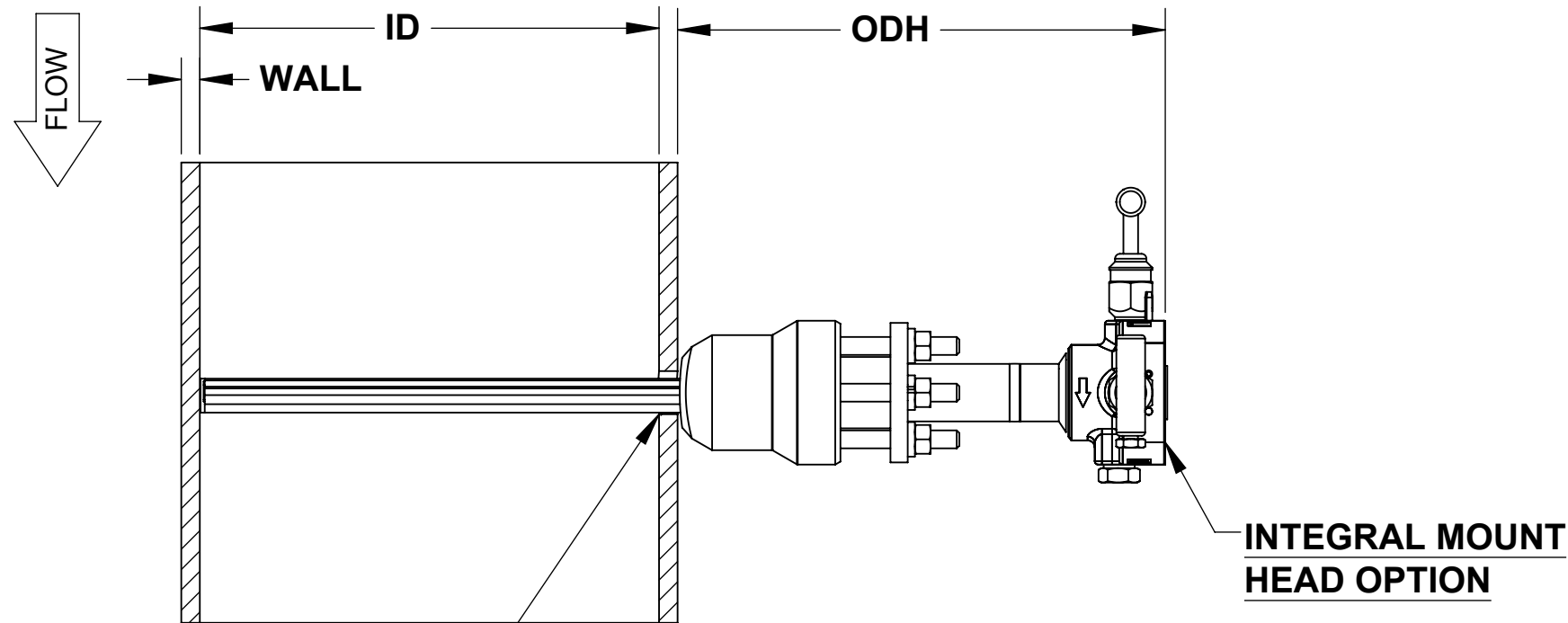
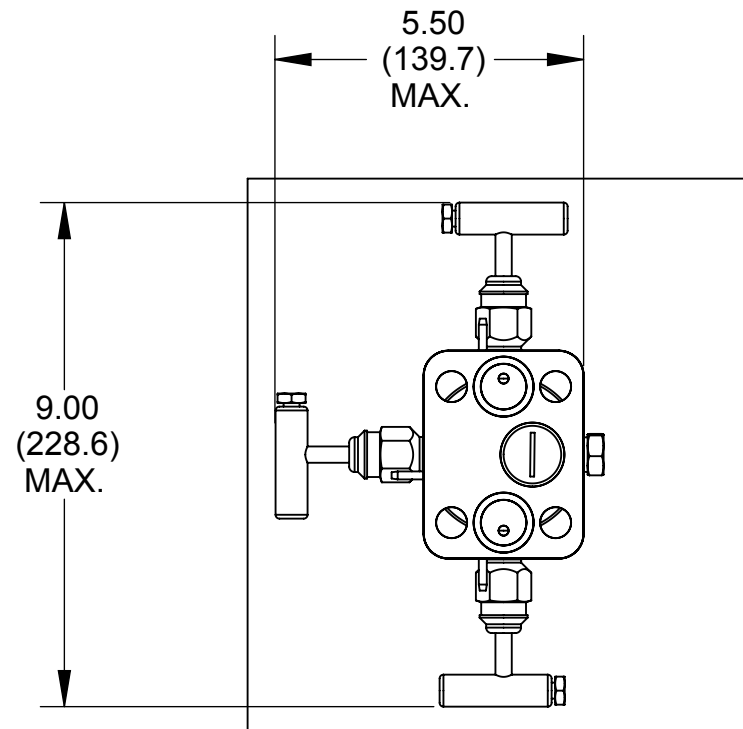
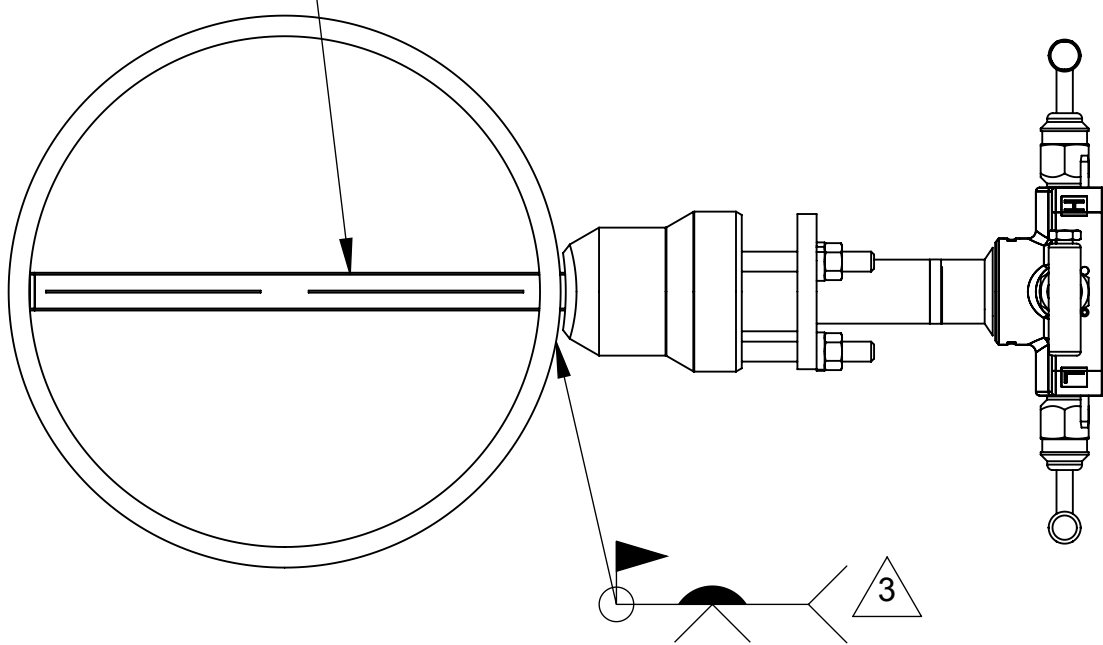
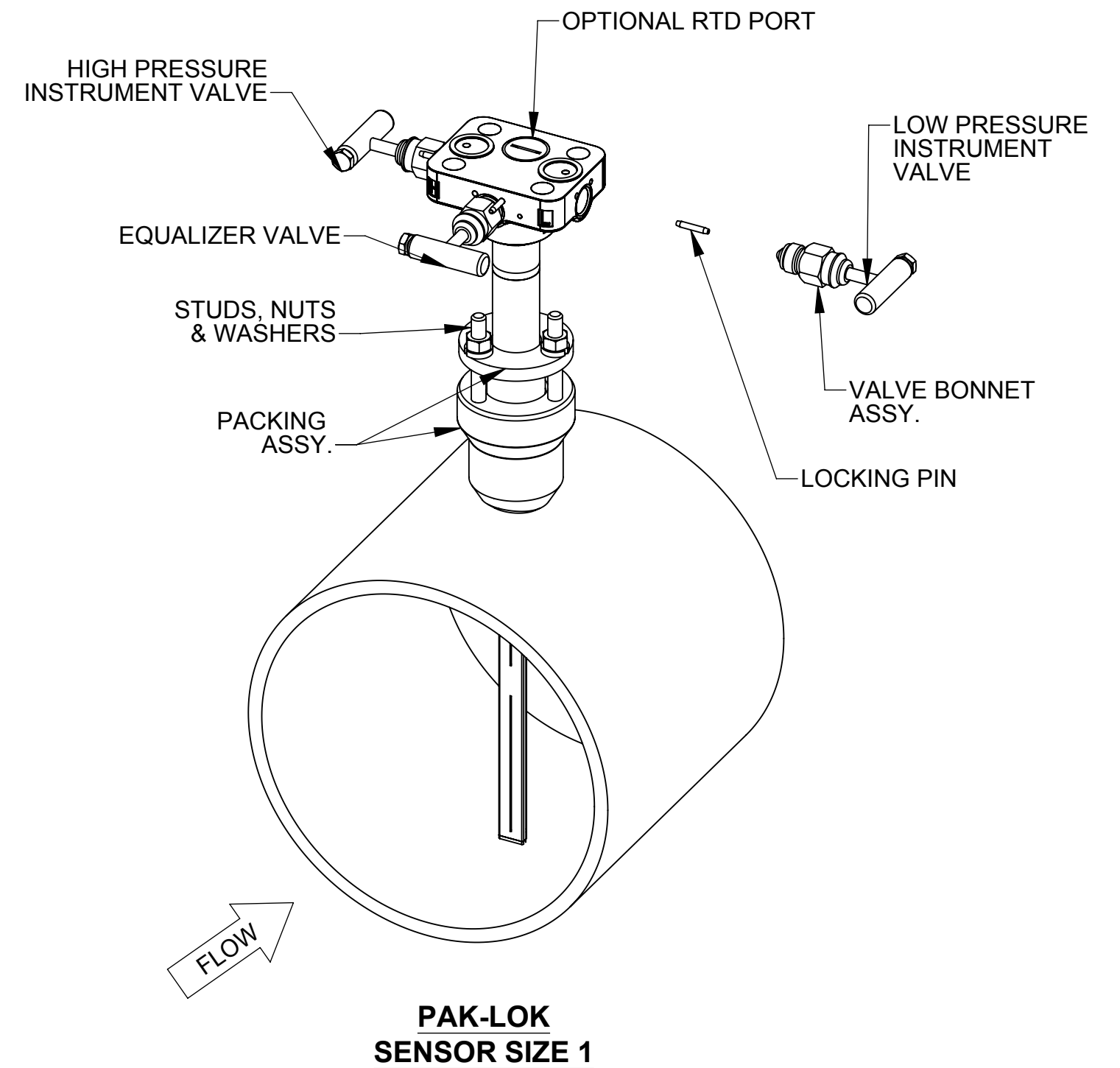


REVISIONS				
REV	DESCRIPTION	CHG.NO.	APP'D	DATE
AE	UPDATE TO DIM IN TABLE ON SHT 2	DSI1003255	JR	04/05/10

SENSOR SIZE 1



NOTICE
 FOR ACCURATE FLOW MEASUREMENT
 THE CORRECT HOLE SIZE IN PIPE MUST BE:
3/4 INCH (19mm)
 DO NOT DRILL OVERSIZE
 DO NOT TORCH CUT HOLE



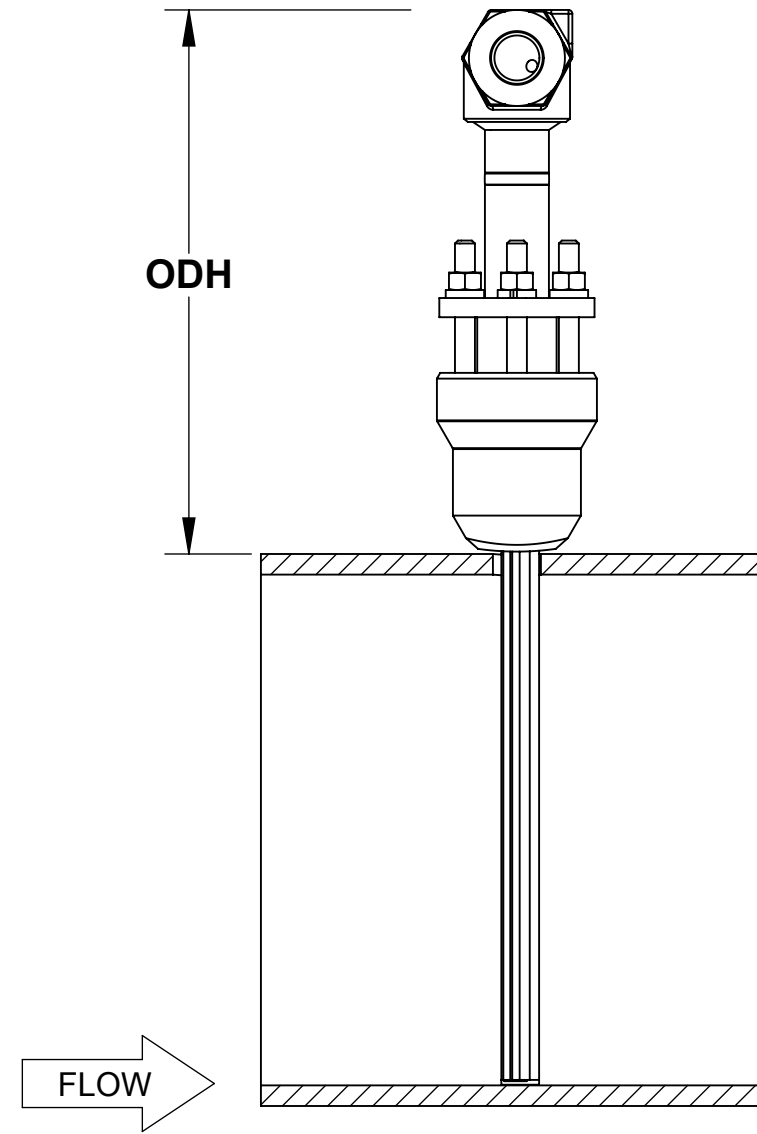
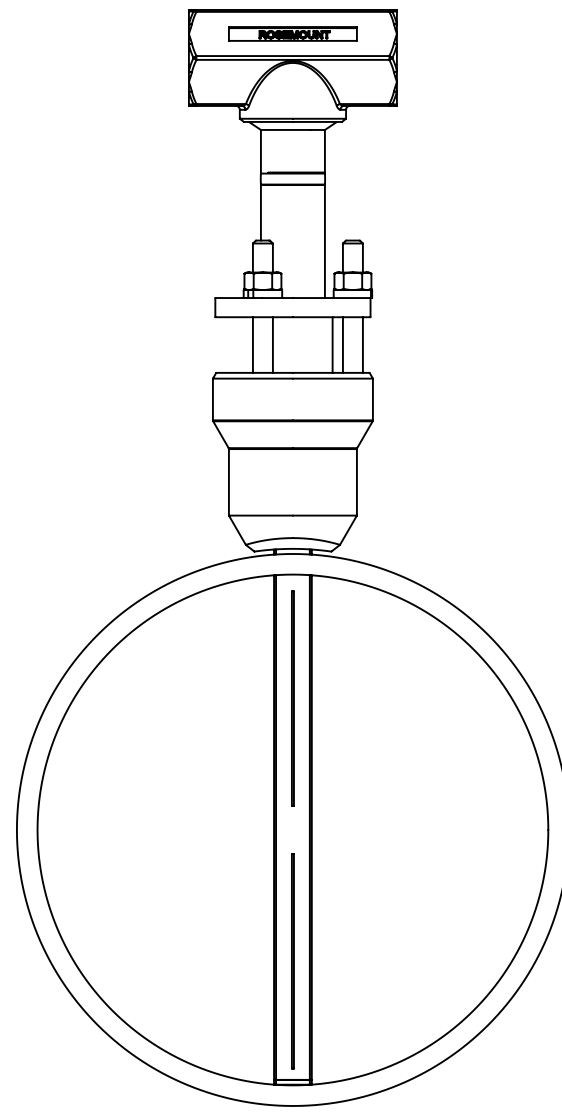
**PAK-LOK
 SENSOR SIZE 1**

NOTE: UNLESS OTHERWISE SPECIFIED
 ALL INFORMATION IS BOTH (TYP) & GENERAL
 TO STANDARD PRODUCT DESIGN
 ALL PIPE SECTIONS SHOWN FOR REFERENCE ONLY

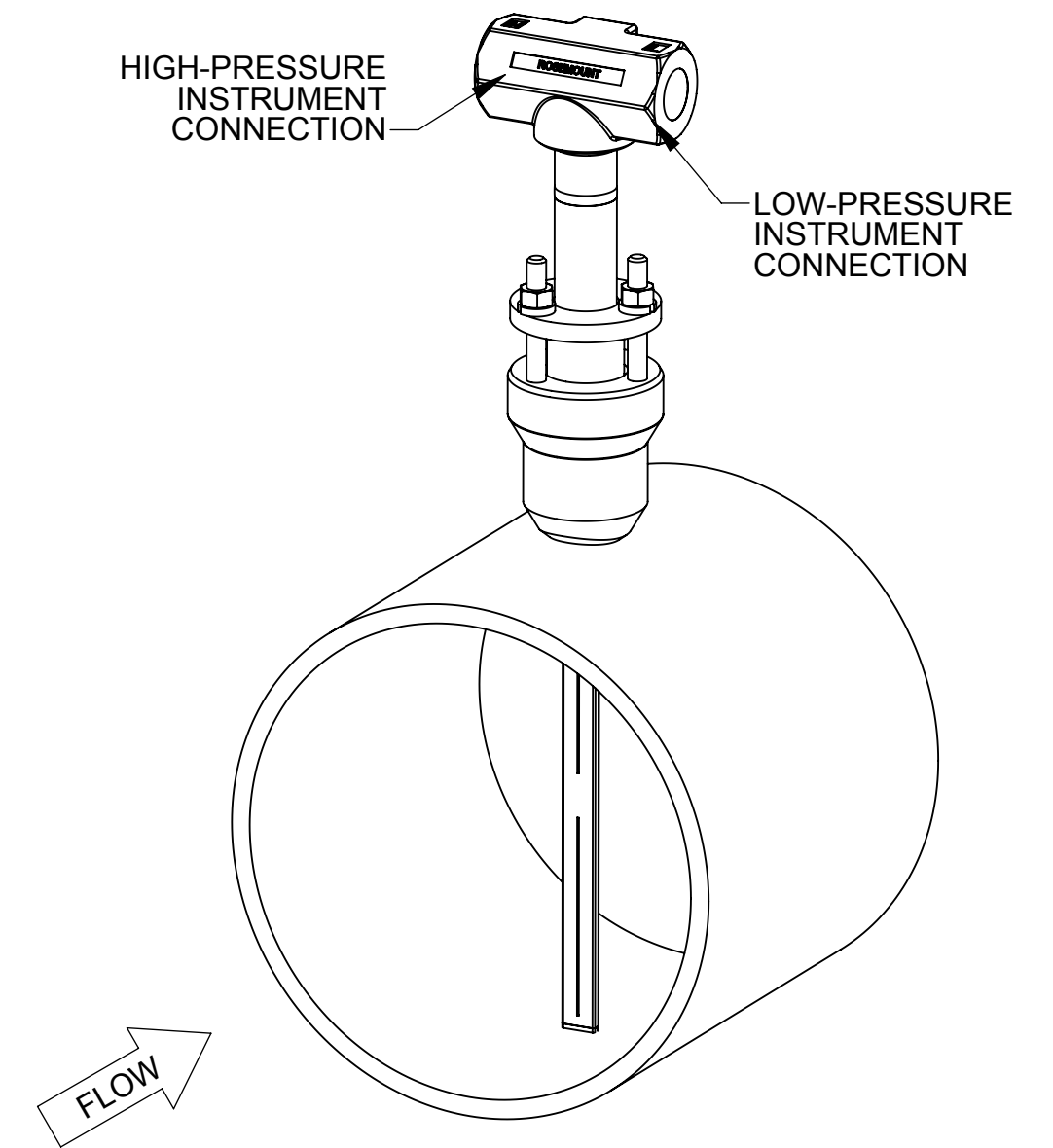
*UNLESS OTHERWISE SPECIFIED DIMENSIONS IN INCHES (MM) *ALL DIMENSIONS ARE NOMINAL AND ARE FOR REFERENCE ONLY 	TYPE I		ROSEMOUNT® BOULDER, COLORADO	
	DR.	J.PAYLOR	10/18/05	TITLE
	APPROVAL			DIMENSION DRAWING, MODEL 485 ANNUBAR FLOWMETER (3051SFA, 3051CFA 2051CFA, 3095MFA) SENSOR SIZE 1 PAK-LOK 150# - 600# ANSI
	DRAWING	D.VERHAAGEN	1/9/06	DRAWING NO.
	TAGGING			00485-1002
SPECIALS			SCALE: NONE	SHEET 1 OF 3

PAK-LOK SENSOR SIZE 1

Min. Rod Reynolds	Probe Width	ODH (MAX.)
6500	.590	8.50 (215.9)



**PAK-LOK
HORIZONTAL FLOW
REMOTE MOUNT INSTRUMENT CONNECTIONS
(NO INSTRUMENT VALVES SHOWN)**



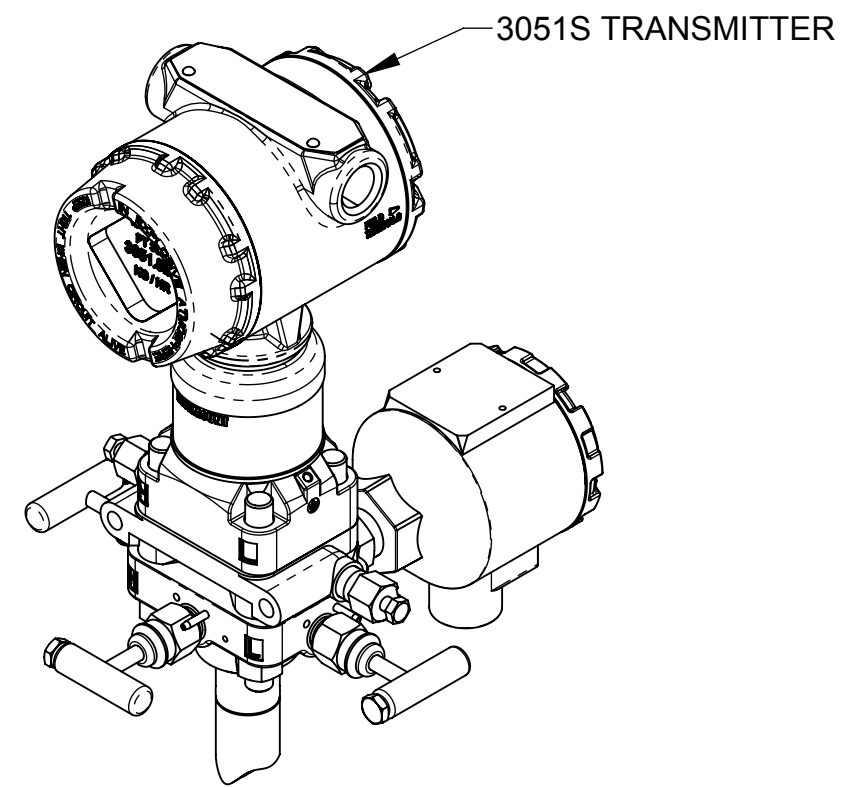
NOTES:

- ROSEMOUNT INC. CERTIFIES THIS DRAWING IS IN ACCORDANCE WITH ROSEMOUNT ENGINEERING SPECIFICATIONS AND ACCURATELY REPRESENTS THE EQUIPMENT FURNISHED.
- ALL ORIENTATIONS SHOWN FOR REFERENCE ONLY. FOR ACTUAL RECOMMENDED LOCATIONS AND ORIENTATIONS REFER TO INSTALLATION INSTRUCTION MANUAL 00809-0100-4809, QUICK INSTALLATION GUIDE (QIG) 00825-0300-4809.
- FIELD WELD.** REFER TO INSTALLATION INSTRUCTIONS FOR WELD REQUIREMENTS.
- MAXIMUM PRESSURE: 600lb ANSI EQUIVALENT (1440 PSIG AT 100°F/ 9928.5Kpa g at 37.8C) FOR 316SS.
- MAX TEMPERATURE: 500°F (260 C) FOR INTEGRAL TRANSMITTER MOUNTING
850°F (454.4 C) FOR STAINLESS STEEL REMOTE TRANSMITTER MOUNTING
1250°F (676.7 C) FOR HASTELLOY REMOTE TRANSMITTER MOUNTING
- FOR MODEL SELECTIONS, REFER TO ROSEMOUNT PRODUCT DATA SHEETS.

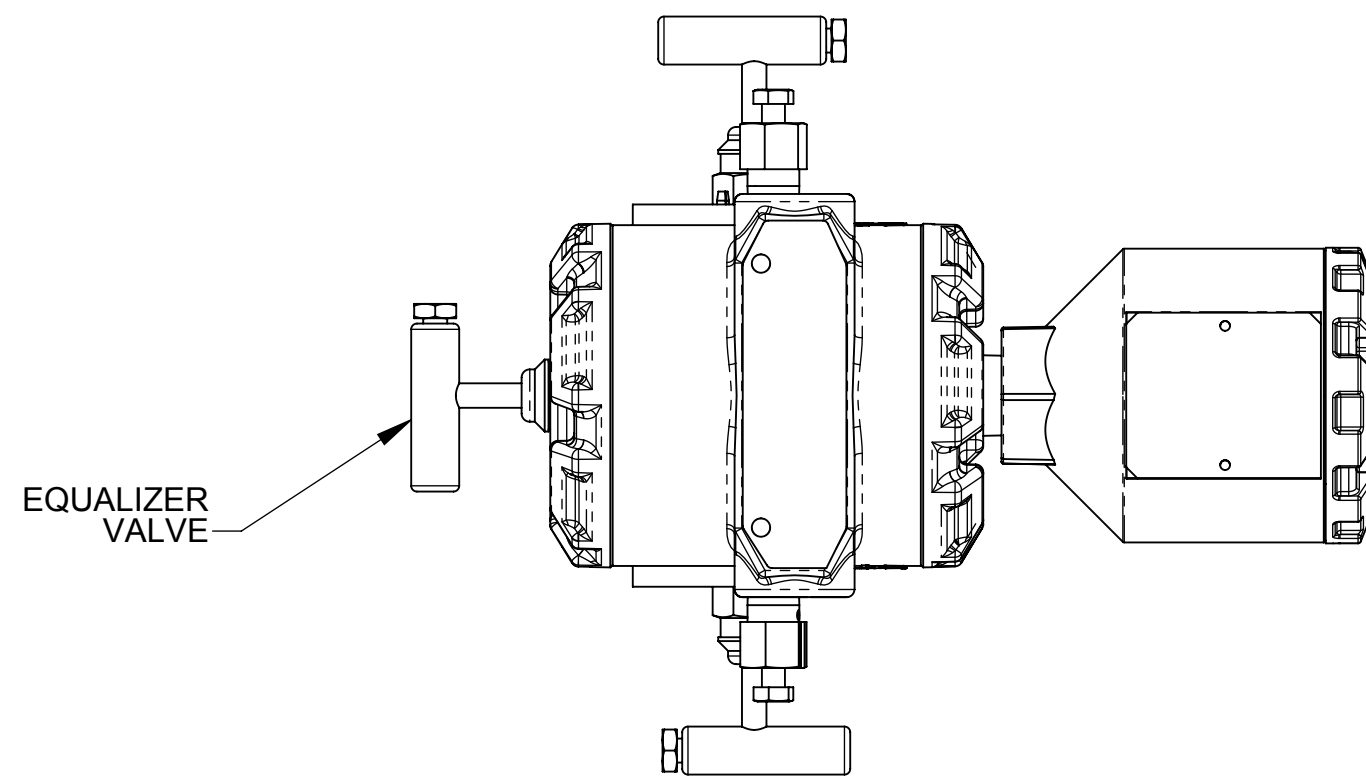
ROSEMOUNT®

BOULDER, COLORADO

SIZE A	FSCM.NO.	DRAWING NO. 00485-1002
SCALE: NONE	WT.	SHEET 2 OF 3

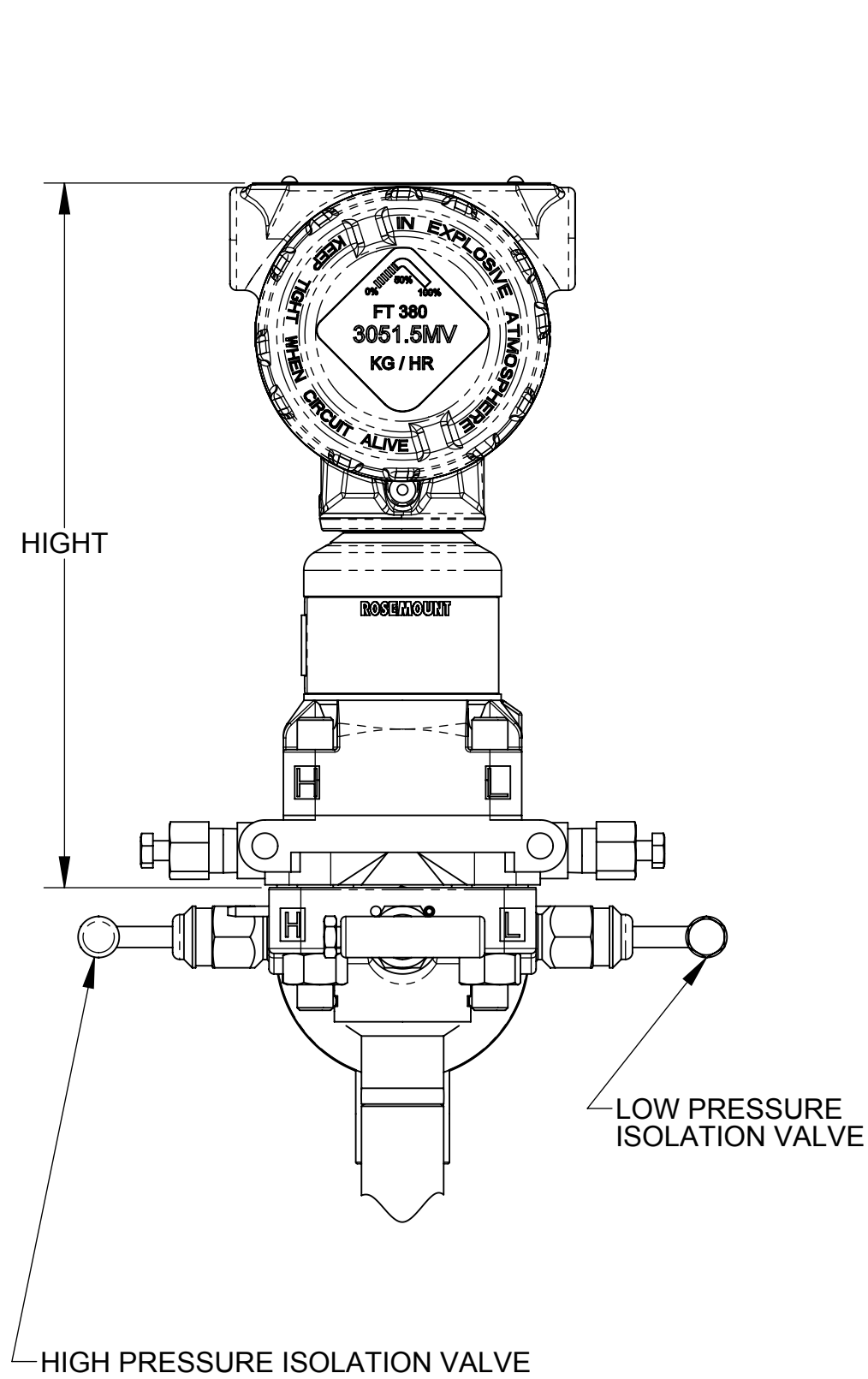


3051S TRANSMITTER



EQUALIZER VALVE

3051SFA, STD HARDWARE

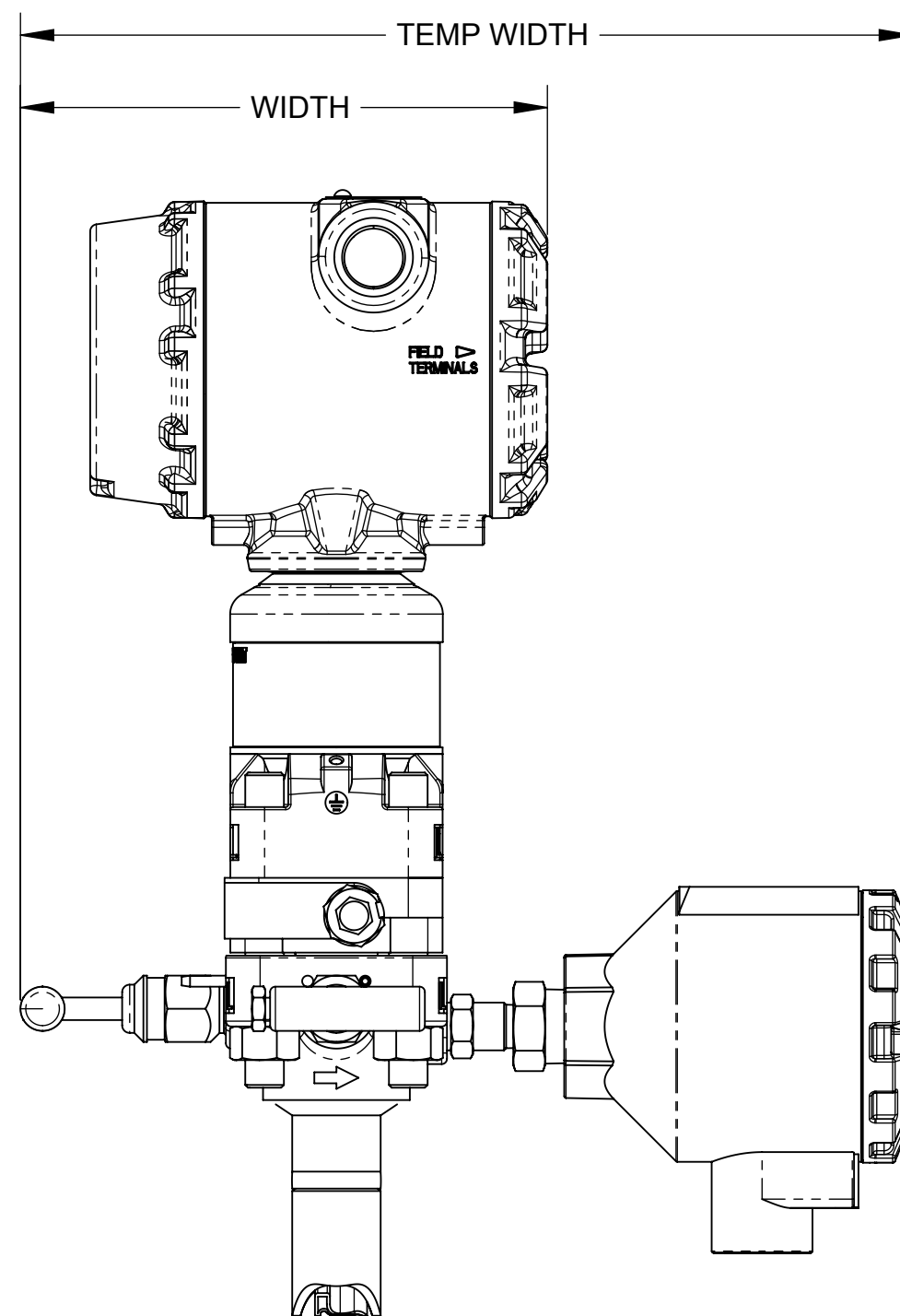


HIGHT

LOW PRESSURE ISOLATION VALVE

HIGH PRESSURE ISOLATION VALVE

3051SFA SHOWN



TEMP WIDTH

WIDTH

FLOWMETER	HEIGHT	WIDTH	TEMP WIDTH
2051CFA	7.03 [178,5]	5.50 [139,7]	10.09 [256,3]
3051CFA	7.1 (181)	5.67 [144,0]	
3051SFA	8.53 (216.7)	5.67 [144,0]	
3095MFA	7.1 (181)	5.67 [144,0]	

ROSEMOUNT®

BOULDER, COLORADO

SIZE A FSCM.NO. DRAWING NO. 00485-1002

SCALE: NONE WT. SHEET 3 OF 3