



Electric Automated Ball Valve Package Series 30 3-Way Flanged Ball Valve

Sizes 1-1/2" -12"

316SS or WCB

Full Port Design

ANSI Class 150 and 300

1-pc Ball & Stem

Blowout Proof Stem

RTFE Seats Standard

"L" or "T" Port Option

Trunnion Ball Design

Lockable Manual Handle

For 8" and above, call factory

STANDARDS

Design

Flanged Ends

Face-to-Face

Pressure Testing

Mounting

Marking System for Valves

Material Certification

Quality Assurance

ANSI/ASME B16.34

ANSI/ASME B16.5

(per factory's standard)

API 598

ISO 5211

MSS SP-25

EN 10204-3.1 MTR

ISO 9001:2008



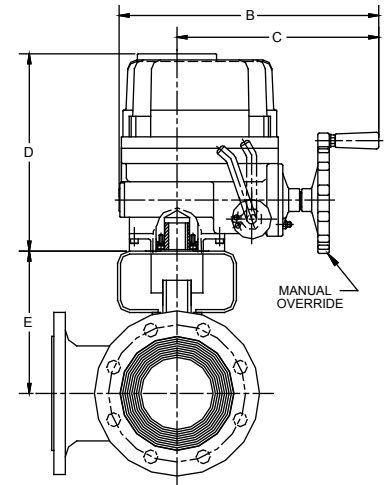
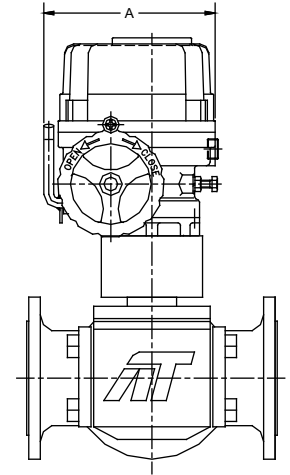
Flanged 3-Way

DIMENSIONS (IN)

VALVE SIZE	A	B	C	D	E
1-1/2"	6.69	10.16	8.19	9.25	5.04
2"	9.02	13.31	10.43	10.55	5.43
2-1/2"	10.20	14.49	11.26	11.42	8.11
3"	10.20	14.49	11.26	11.97	8.15
4"	10.20	14.49	11.26	11.97	9.29
6"	12.56	16.14	12.09	22.17	13.28
8"	CF	CF	CF	CF	CF
10"	CF	CF	CF	CF	CF
12"	CF	CF	CF	CF	CF

Valve Cv

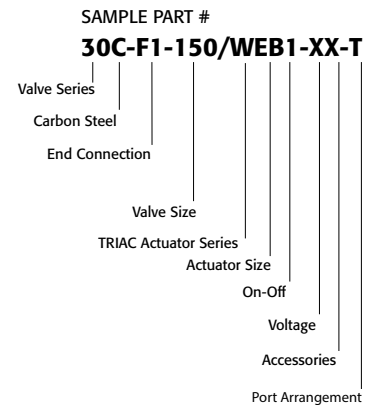
T-PORT STRAIGHT THRU	L & T-PORT 90°
198	50
430	120
670	158
1,170	275
2,070	422
5,000	788
8,800	1,828
13,500	3,159
20,130	4,626



SERIES 30 3-Way

ON-OFF	
SIZE	MODEL
1-1/2"	30-F1-150/WEB1-XX-T
2"	30-F1-200/WEC1-XX-T
2-1/2"	30-F1-250/WEE1-XX-T
3"	30-F1-300/WEF1-XX-T
4"	30-F1-400/WEG1-XX-T
6"	30-F1-600/WEK1-XX-T
8"	CF
10"	CF
12"	CF

MODULATING	
SIZE	MODEL
1-1/2"	30-F1-150/WEB2-XX-T
2"	30-F1-200/WEC2-XX-T
2-1/2"	30-F1-250/WEE2-XX-T
3"	30-F1-300/WEF2-XX-T
4"	30-F1-400/WEG2-XX-T
6"	30-F1-600/WEK2-XX-T
8"	CF
10"	CF
12"	CF



OPTIONS

DESCRIPTION

24 VAC/24 VDC/220VAC

Feedback potentiometer

NOTE: Heater and thermostat standard
(2) auxiliary switches standard

Other options available - call for details

Actuators are sized based on clean/clear fluid.

See valve part number matrix for complete part number and options.

30EL-20151120
Copyright 2013 A-T Controls, Inc.



9955 International Blvd.
Cincinnati, Ohio 45246
www.atcontrols.com

PHONE (513) 247-5465
FAX (513) 247-5462
sales@atcontrols.com

Valve Options

Various Seat Materials

PTFE, RTFE, 50/50 STFE, 25% CTFE, Delrin, PEEK, UHMWPE, TFM-1600

Operator Options

Quarter-turn Gear Operators
Spring Return "Deadman" Handles
Oval handles, TEE Handles

Specials and Solutions

Steam Jackets
Stem Extensions
V-ported Control Valves
Multi-port Valve Solutions
Fugitive Emissions Bonnets (TSM's)
Oxygen Cleaning
Lockout Brackets
Vented Balls
"No Play" Mounting Kits

• FM Approved Valves and Assemblies



Manual and automated valve assemblies for gas burner management applications and safety shutoff

Other Products

Special Seats Balls and Seal Designs



Steam Jacketed Valves



Floor Mounted Damper Drives



Limit Switches Mounted on Manual Valves



Fusible Link Assemblies



180° Actuators



Lockout Mounting Kits



Stem Extensions



Special Multi-Port Valves



Dual Valve Assemblies

