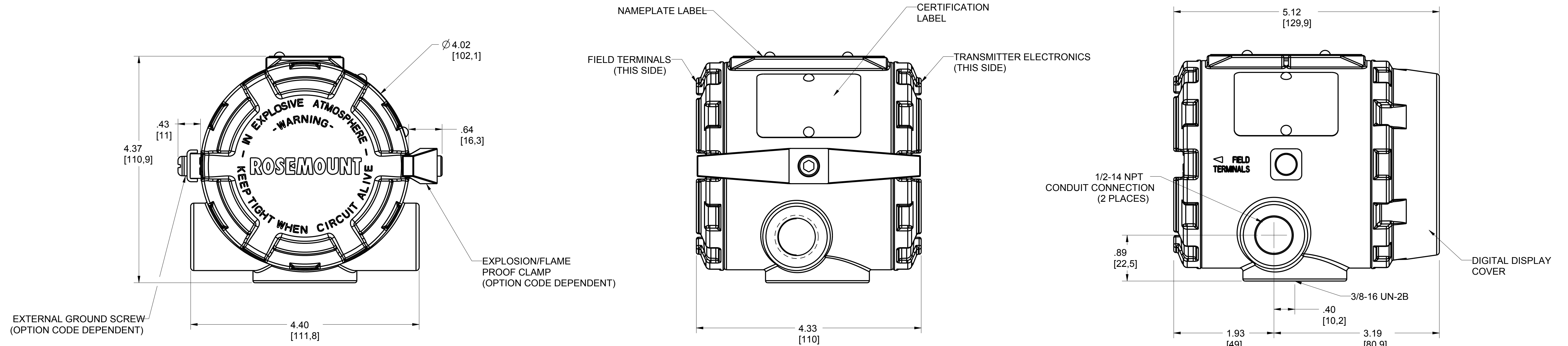


ROSEMOUNT 3144P TEMPERATURE TRANSMITTER

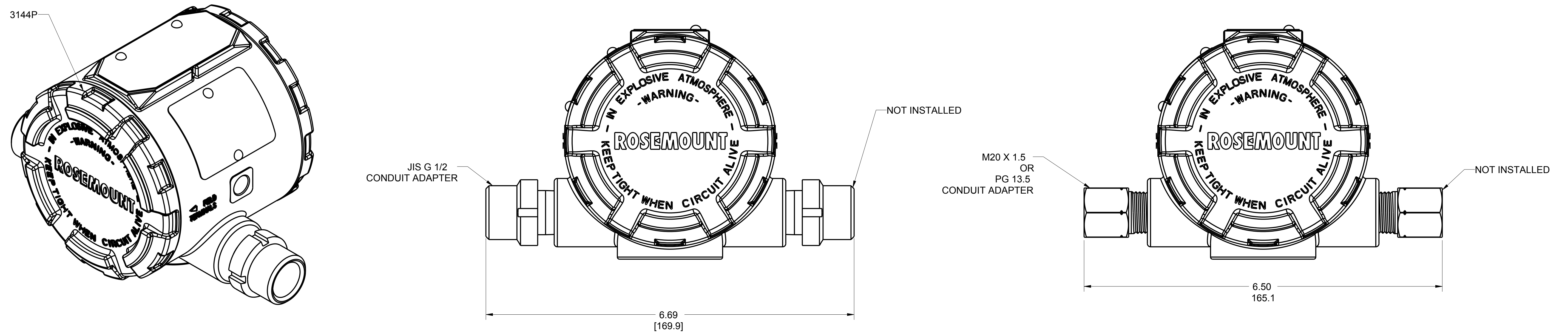
REVISION TABLE			
REVISION	ECO NO.	APP'D	DATE
AF	RTC1067934	A. DIERKER	4/16/17
DESCRIPTION			
UPDATE FOR XWELL, ADD PAGE 3 NOTE 2 & 3			

SHOWN WITH OPTIONAL DIGITAL DISPLAY



SHOWN WITH OPTIONAL JIS G 1/2 CONDUIT ADAPTER

SHOWN WITH OPTIONAL M20 X 1.5 OR PG 13.5 CONDUIT ADAPTER



1. 1.00 IN. [25.4] CLEARANCE REQUIRED TO REMOVE COVERS.

NOTES:

©2015 ROSEMOUNT INC.
ROSEMOUNT INC. CERTIFIES
THIS DRAWING IS IN
ACCORDANCE WITH
ROSEMOUNT ENGINEERING
SPECIFICATIONS.
UNIT NOTES IN INCHES (mm).

EMERSON

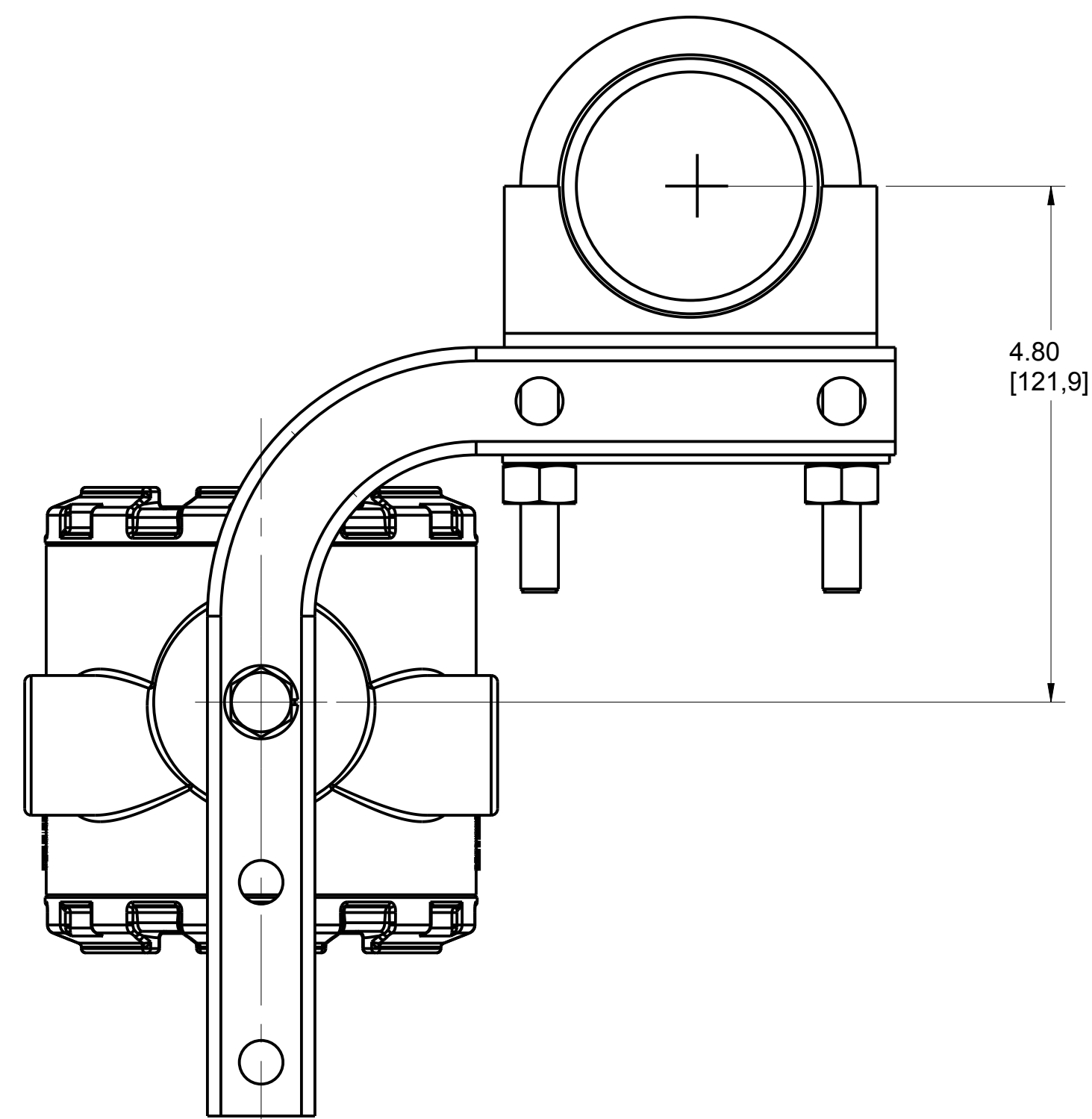
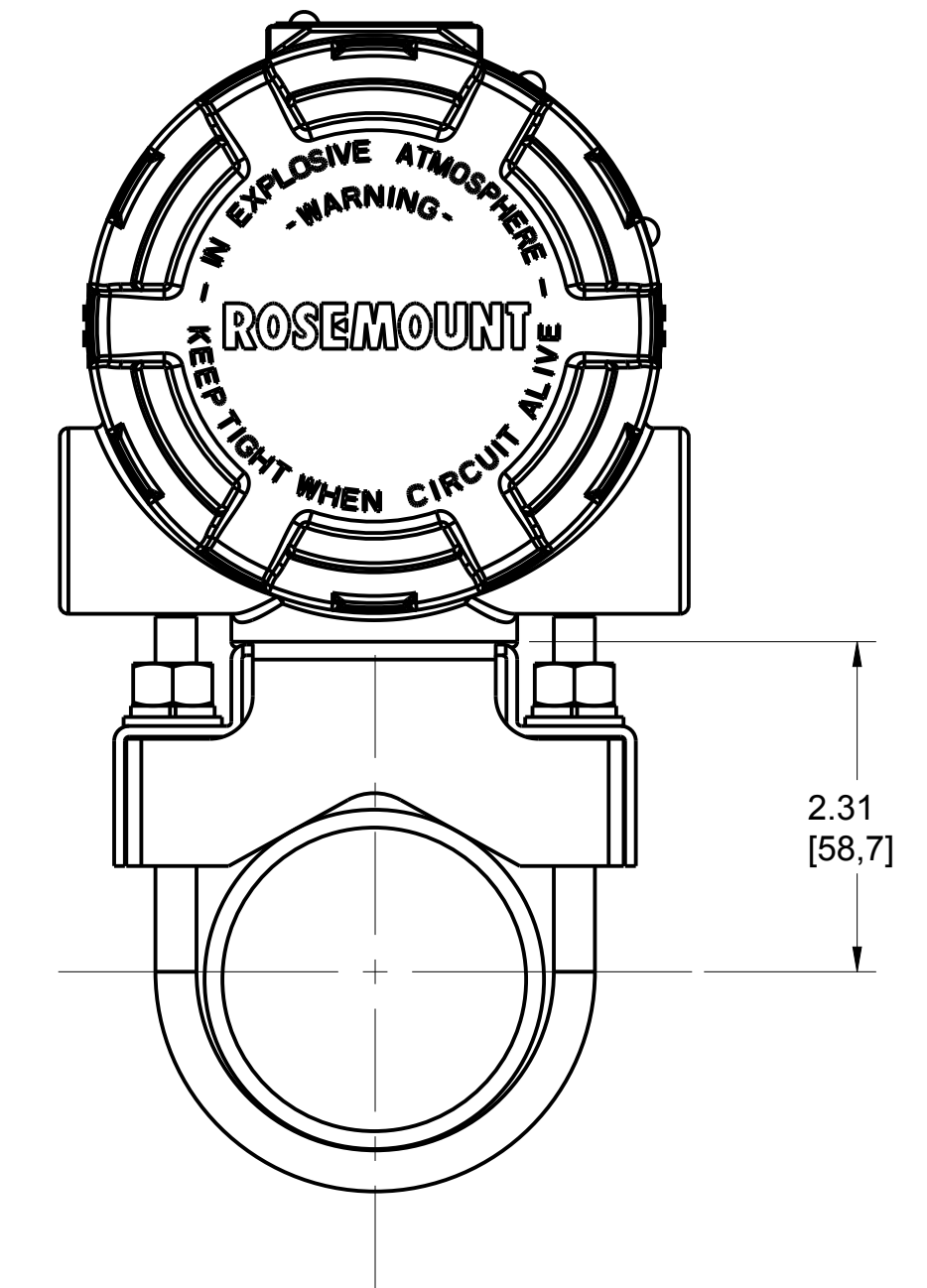
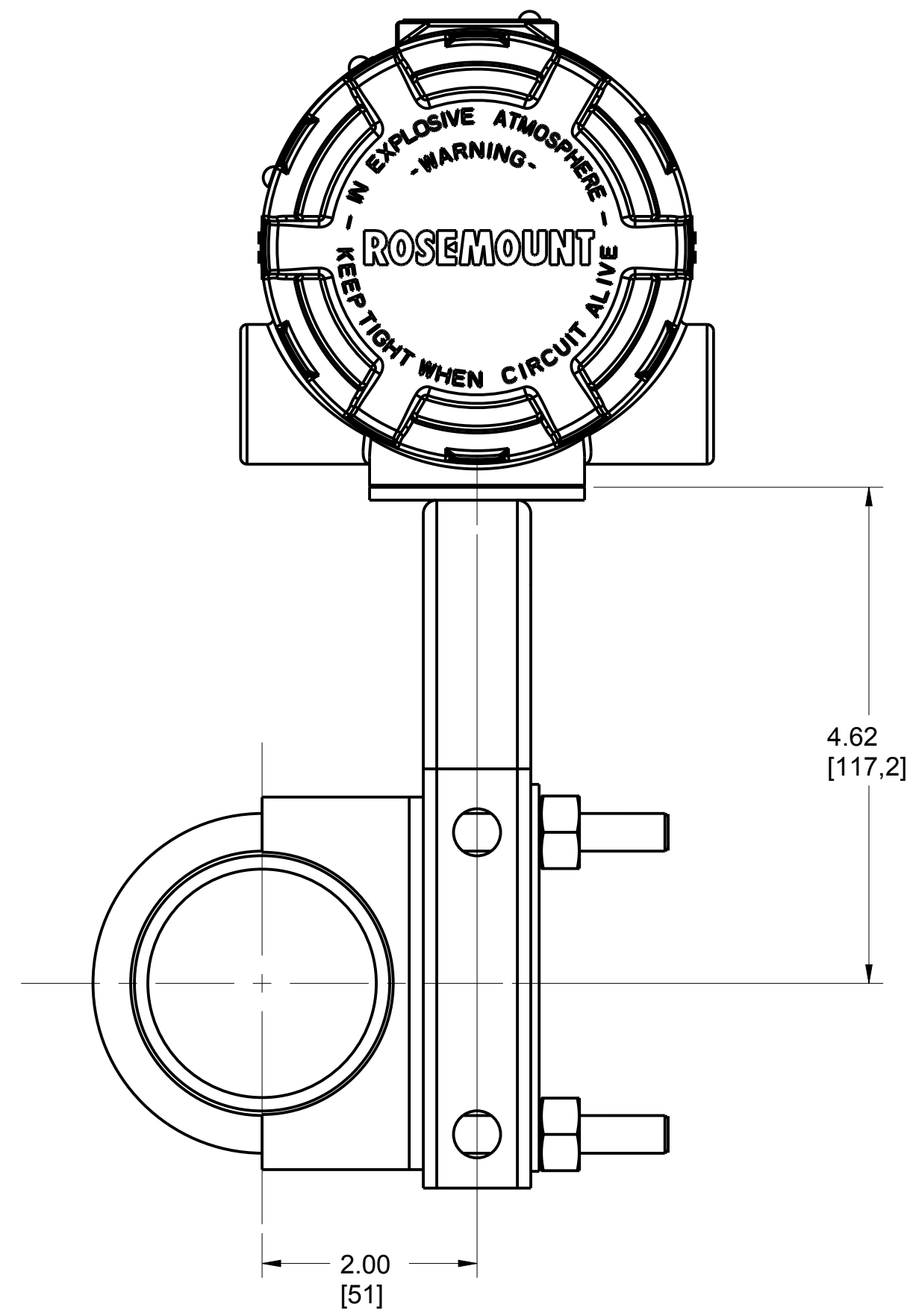
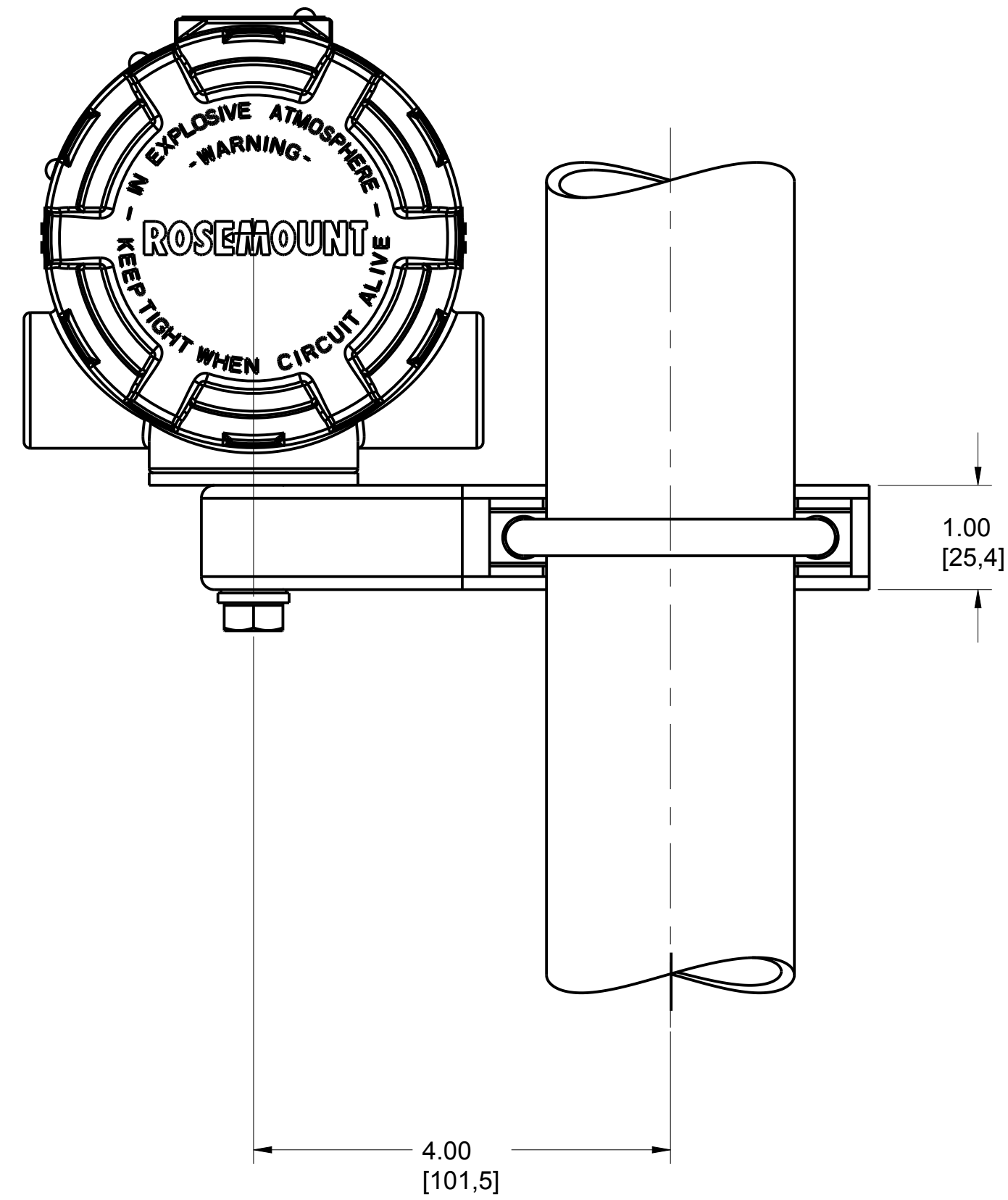
ROSEMOUNT 3144P TRANSMITTER
TYPE I DRAWING

DR. JLA 4/3/13 DRAWING NO. 03144-0111
APP'D A. DIERKER 8/24/16

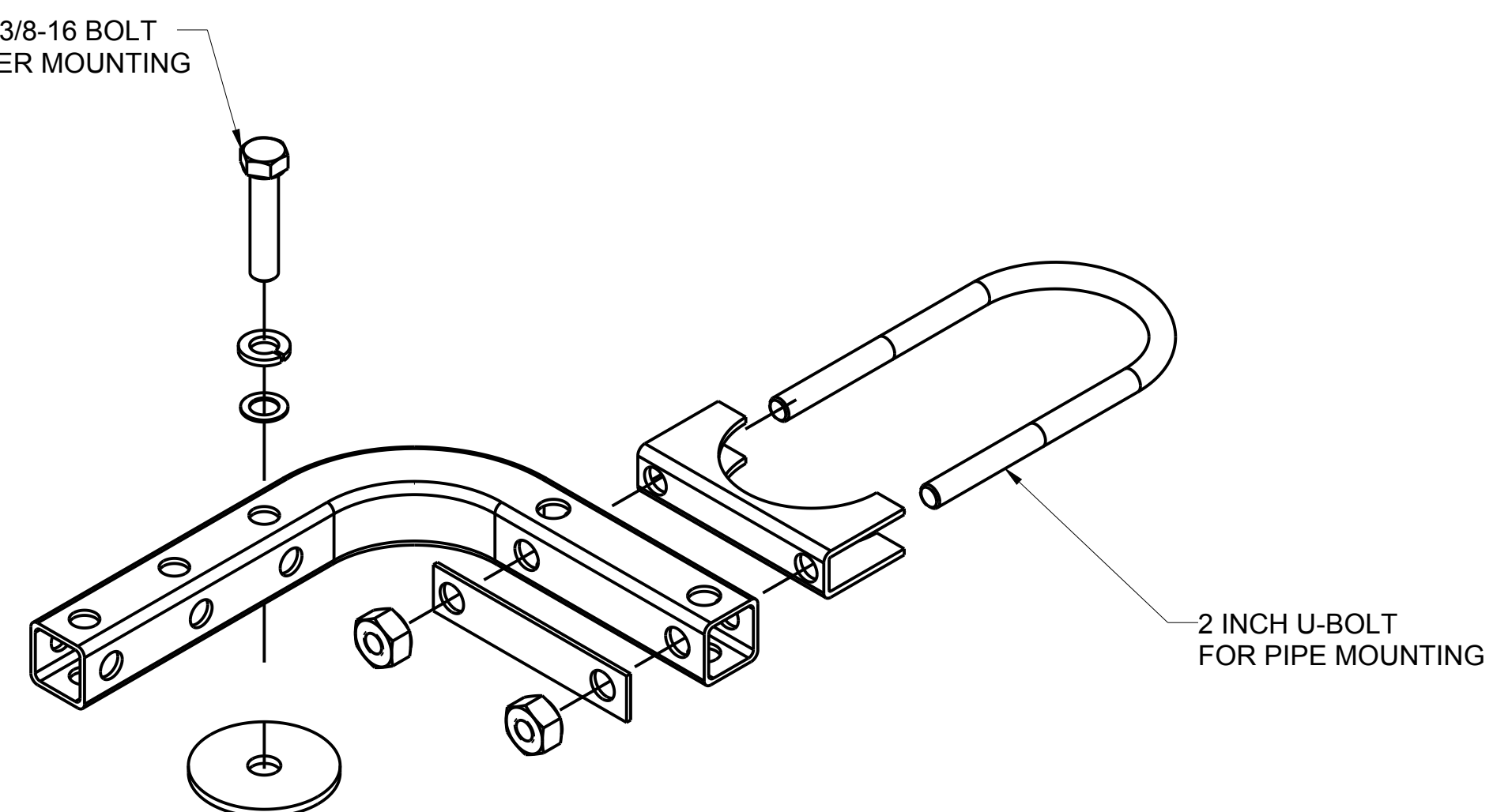
CAD MAINTAINED, (PROE) SHEET 1 OF 3

ROSEMOUNT 3144P TEMPERATURE TRANSMITTER
MOUNTING CONFIGURATIONS WITH OPTIONAL MOUNTING BRACKET

PIPE MOUNTING



3/8-16 BOLT
FOR TRANSMITTER MOUNTING



3/8-16 BOLT
FOR TRANSMITTER MOUNTING

2 INCH U-BOLT
FOR PIPE MOUNTING

2 INCH U-BOLT
FOR PIPE MOUNTING

©2015 ROSEMOUNT INC.
ROSEMOUNT INC. CERTIFIES
THIS DRAWING IS MADE IN
ACCORDANCE WITH THE
ROSEMOUNT ENGINEERING
SPECIFICATIONS.
UNIT NOTES IN INCHES (mm).
REFERENCE ROSEMOUNT
PRODUCT SPECIFICATIONS.
CLICK HERE

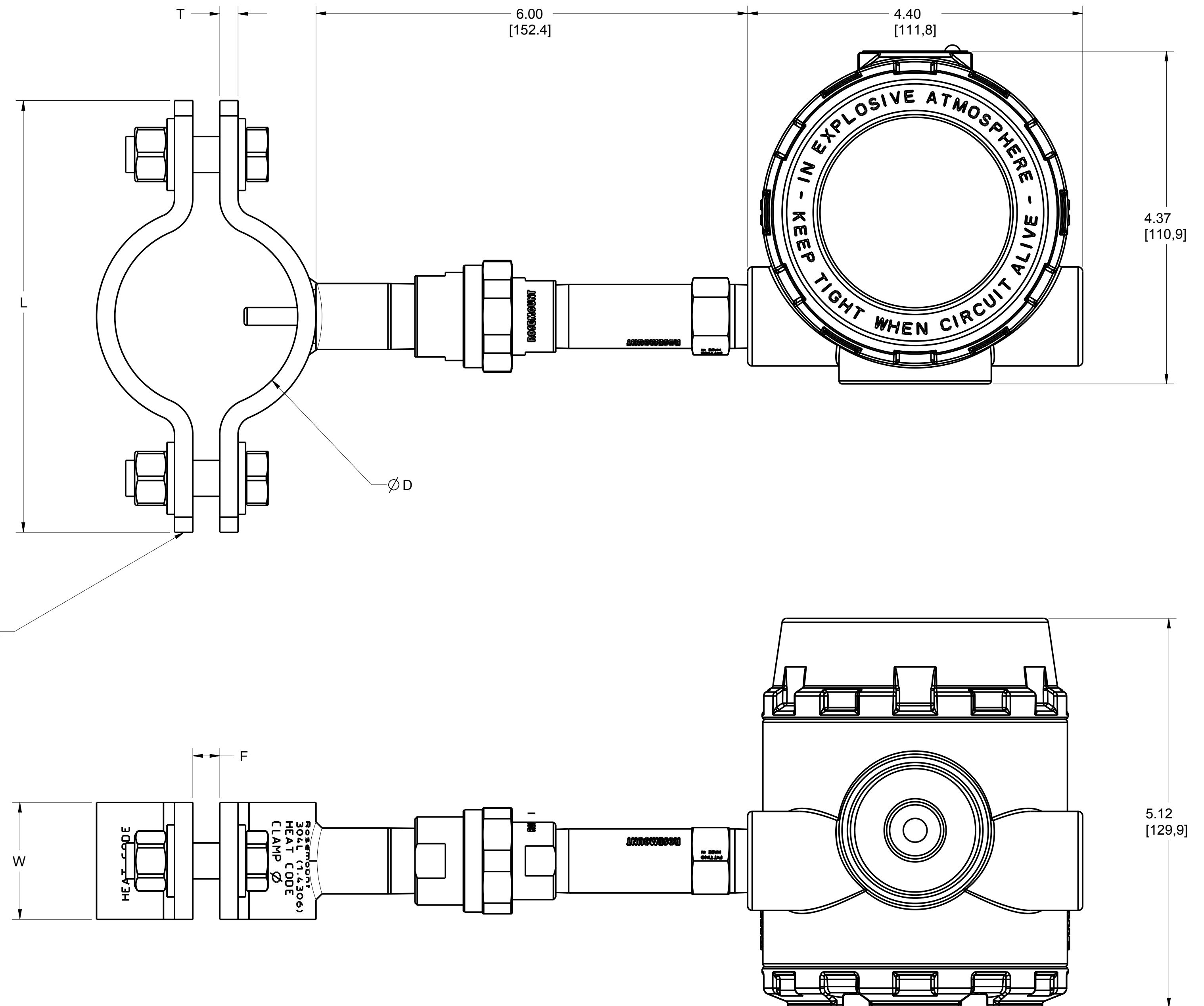
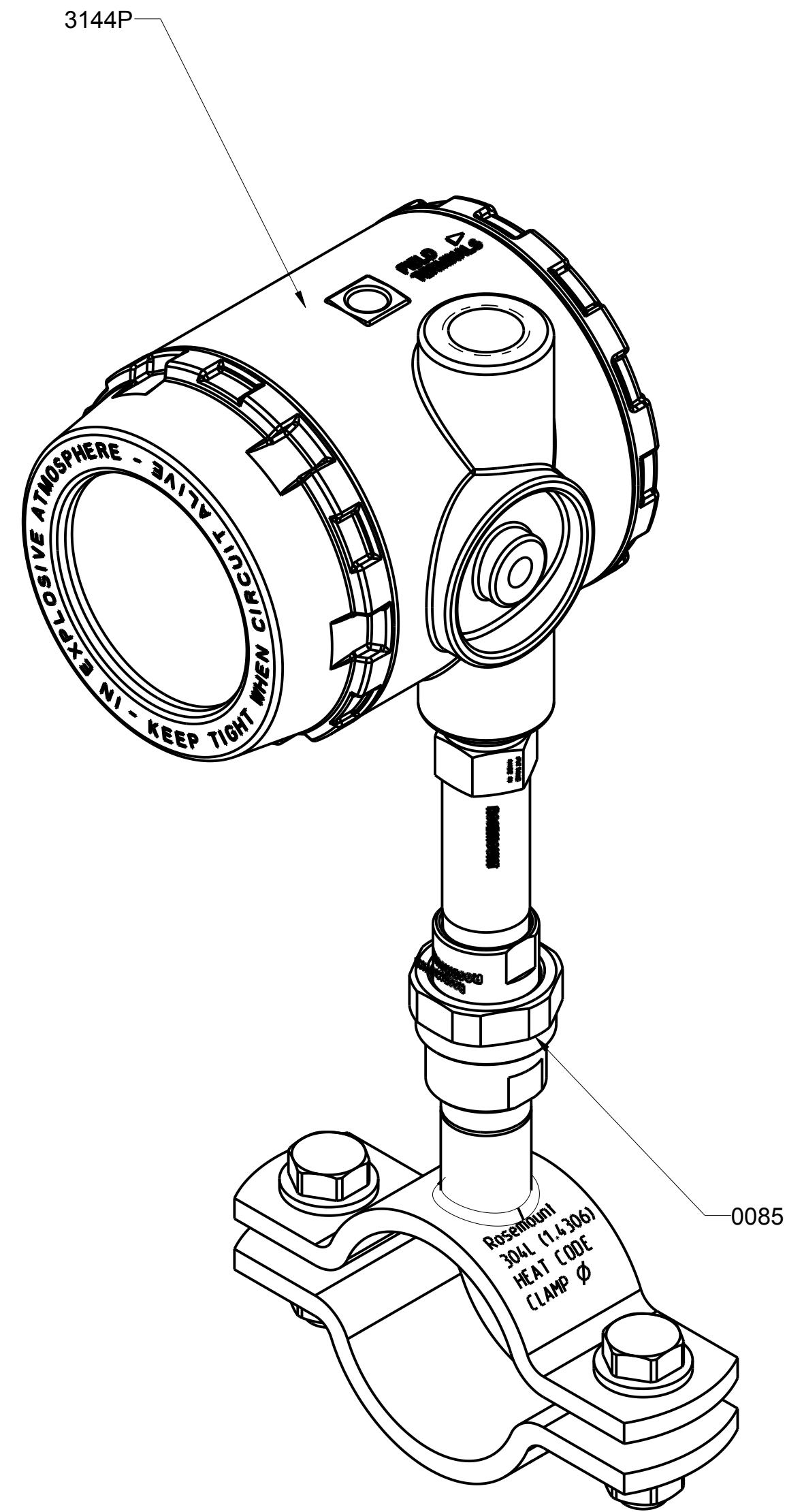
3RD ANGLE

EMERSON

ROSEMOUNT 3144P TRANSMITTER
TYPE I DRAWING

DR:	JLA	4/3/13	DRAWING NO.	03144-0111
APPD:	JR	4/3/13		
CAD MAINTAINED, (PROE)			SHEET 2 OF 3	

ROSEMOUNT 3144P TEMPERATURE TRANSMITTER
MOUNTING CONFIGURATIONS WITH OPTION CODE PT



- 3. PLEASE REFER TO DRAWING NUMBER 00085-7000 FOR MORE INFORMATION IN REGARDS TO DIMENSIONS D,L,T, F AND W ON THE 0085 SENSOR ASSEMBLY.
- 2. 0085 SENSOR ASSEMBLY IS REQUIRED WITH OPTION CODE PT.

NOTES:

©2015 ROSEMOUNT INC. ROSEMOUNT INC. CERTIFIES THIS DRAWING TO BE IN ACCORDANCE WITH ROSEMOUNT ENGINEERING SPECIFICATIONS. UNIT NOTES IN INCHES (mm). REFERENCE ROSEMOUNT PRODUCT SPECIFICATIONS. CLICK HERE			3RD ANGLE		SIZE	SCALE	
	ROSEMOUNT 3144P TRANSMITTER TYPE I DRAWING						
	DR.	JLA	4/3/13	DRAWING NO.			
	APP'D	JR	4/3/13				03144-0111
CAD MAINTAINED, (PROE)						SHEET 3 OF 3	