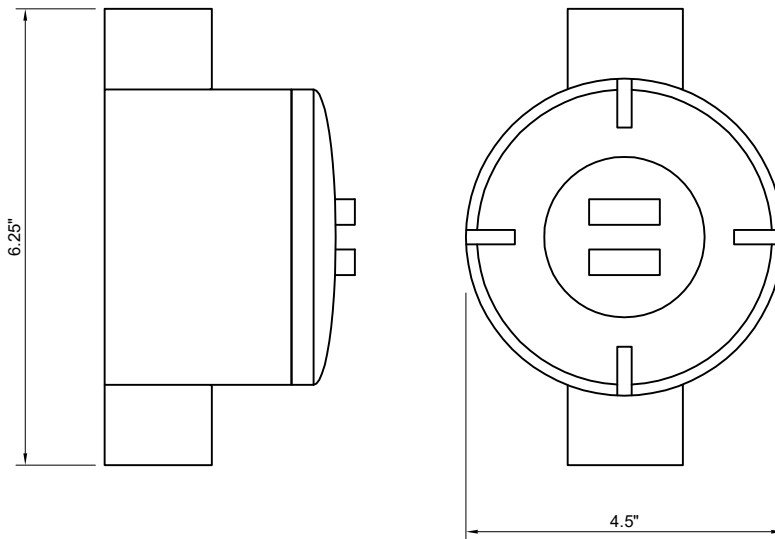


LEVEL SWITCHES FOR MAGNETIC LEVEL GAGES
MLS-10EX SERIES

SPECIFICATIONS:

DEADBAND	0.5 inch.
MAXIMUM TEMP.	200 Deg. F
HT VERSION.	450 Deg. F
CONTACTS.	DPDT
CONTACT RATINGS:	
	10 AMP MAX. @ 125/250 VAC
	1/2 AMP MAX. @ 125 VDC
HOUSING	Ex-Proof Condulet CLASS 1, DIV 1, Grp B, C, D.



MLS-10EX