



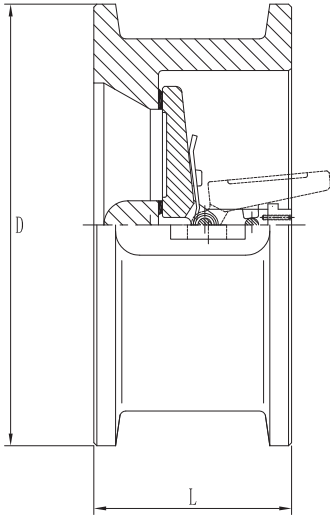
RANGER

VALVE AMERICA

API 594 Dual Plate Check Valves

ASME CLASS 150 - 2500#

Dual Plate Wafer Check Valves



Part Name		Material**
1	Body	WCB, LCC, CF8M (316), WCC, LCB, WC6, WC9, C5, CF3 (304L), CF3M (316L), CN7M, CF8C (347SS), Duplex, Super Duplex, Monel, C12A and other special materials*
2	Disc	WCB, LCC, CF8M (316), WCC, LCB, WC6, WC9, C5, CF3 (304L), CF3M (316L), CN7M, CF8C (347SS), Duplex, Super Duplex, Monel, C12A and other special materials*
3	Spring	INCONEL X750
4	Hinge Pin	F6a, F316, F304, F316L, F304L, F22, F91, F347, F5

* Other materials available as allowed by ANSI B16.34.

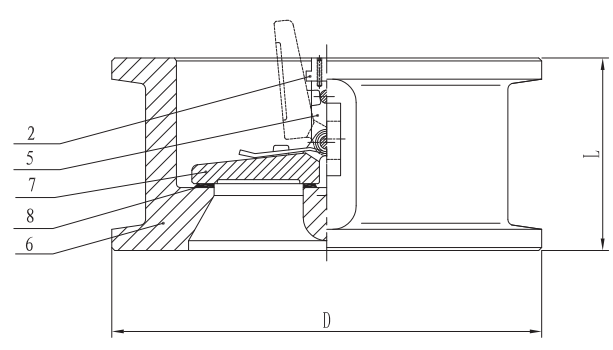
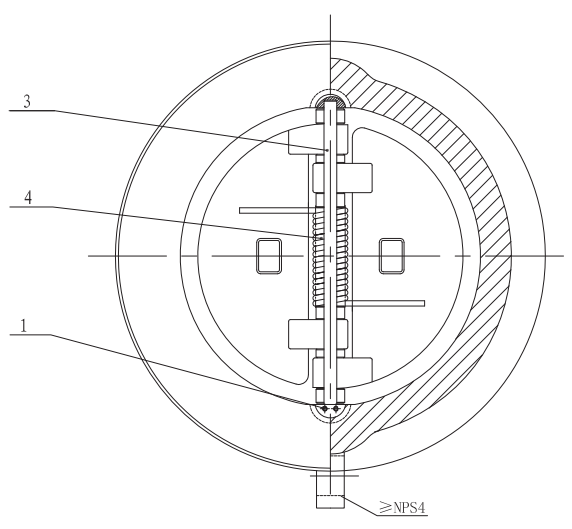
Weights and Dimensions

Class**	Bore (Inch**)	Class 150			Class 300			Class 600			Class 900			Class 1500		
		L (Inch)	D (Inch)	WT (Lbs.)	L (Inch)	D (Inch)	WT (Lbs.)	L (Inch)	D (Inch)	WT (Lbs.)	L (Inch)	D (Inch)	WT (Lbs.)	L (Inch)	D (Inch)	WT (Lbs.)
150~1500*	2	2-3/8	4	4	2-3/8	4-5/16	7	2-3/8	4-5/16	9	2-3/4	5-1/2	18	2-3/4	5-1/2	18
	2-1/2	2-5/8	4-13/16	7	2-5/8	5-1/16	9	2-5/8	5-1/16	11	3-1/4	6-3/8	24	3-1/4	6-3/8	24
	3	2-7/8	5-5/16	9	2-7/8	5-13/16	13	2-7/8	5-13/16	18	3-1/4	6-1/2	31	3-1/4	6-3/4	42
	4	2-7/8	6-13/16	13	2-7/8	7-1/16	18	3-1/8	7-9/16	24	4	8	44	4	8-1/8	57
	5	3-3/8	7-11/16	18	3-3/8	8-7/16	33	4-1/8	9-7/16	44	4-5/16	9-5/8	66	4-5/16	9-15/16	112
	6	3-7/8	8-3/4	29	3-7/8	9-13/16	40	5-3/8	10-3/8	57	6-1/4	11-1/4	93	6-1/4	11	150
	8	5	11	55	5	12-1/16	68	6-1/2	12-9/16	121	8-1/8	14	185	8-1/8	13-3/4	287
	10	5-3/4	12-3/4	86	5-3/4	14-3/16	112	8-3/8	15-11/16	209	9-1/2	17	320	9-3/4	17-1/16	463
	12	7-1/8	16	119	7-1/8	16-9/16	170	9	17-15/16	309	11-1/2	19-1/2	485	12	20-3/8	847
	14	7-1/4	17-5/8	176	8-3/4	19-1/16	258	10-3/4	19-5/16	492	14	20-3/8	772	14	22-11/16	1213
	16	7-1/2	20-1/4	258	9-1/8	21-3/16	419	12	22-3/16	794	15-1/8	22-1/2	1036	15-1/8	24-13/16	1400
	18	8	21-5/8	304	10-3/8	23-7/16	441	14-1/4	24-1/16	871	17-3/4	25	1113	-	-	-
	20	8-5/8	23-7/8	359	11-1/2	25-11/16	584	14-1/2	26-13/16	1142	17-3/4	27-3/8	1808	-	-	-
	24	8-3/4	28-1/4	730	12-1/2	30-7/16	904	17-1/4	31-1/16	1843	19-1/2	32-7/8	2315	-	-	-
	28	12	30-7/16	838	-	-	-	-	-	-	-	-	-	-	-	-
	30	12	32-7/16	937	14-1/2	34-3/4	1455	-	-	-	-	-	-	-	-	-
32	12	34-9/16	1235	-	-	-	-	-	-	-	-	-	-	-	-	

** Additional sizes and classes available on request.

DESIGN AND MANUFACTURING STANDARDS

Design and manufacturing standards	ASME B16.34, API 594 and API 6D
Face-to-face standard	API 594, API 6D
Connection dimension standards	ASME B16.5, ASEM B16.47
Inspection and test standards	API 598



VALVE COMPONENTS

1 NUT	3 HINGE PIN	5 SHAFT SEAT	7 DISC
2 STOP	4 SPRING	6 BODY	8 BODY SEAT



HOW TO ORDER

API 594 DUAL PLATE CHECK VALVES

ASME CLASS 150-2500#

Type	Size	Ends	ASME Class	Body	Disc	Hinge Pin	Designator	Service
DPW	12	E	1	W	S	B	-	HS
1	2	3	4	5	6	7	8	9

1 - VALVE TYPE	2 - SIZE	3 - ENDS
----------------	----------	----------

DPW = Dual Plate Wafer	2 = 2"	R = RF
DPL = Dual Plate Lug	25 = 2 1/2"	J = RTJ
DPD = Dual Plate Double Flange	3 = 3"	E = Wafer Ends
	4 = 4"	X = Special
	5 = 5"	
	6 = 6"	
	8 = 8"	
	10 = 10"	
	12 = 12"	

4 - ASME CLASS	5 - BODY MATERIAL	6 - DISC
----------------	-------------------	----------

1 = 150	W = WCB	G = CF3M (316L)
3 = 300	L = LCC	H = CN7M
6 = 600	S = CF8M (316)	I = CF8C (347SS)
9 = 900	A = WCC	J = Duplex
15 = 1500	B = LCB	K = Super Duplex
25 = 2500	C = WC6	M = Monel
	D = WC9	N = C12A
	E = C5	X = Special
	F = CF3 (304L)	

7 - HINGE PIN	8 - DESIGNATOR	9 - SERVICE
---------------	----------------	-------------

A = F6a	J = F9	If applicable, please put a dash as the designator for a service condition identification.	N = NACE
B = F316	K = F53		C = Cryogenic
C = F304	L = F55		H = Hard faced disc
D = F316L	M = F321		S = Stellite seat facing
E = F304L	X = Special		X = Special
F = F22			
G = F91			
H = F347			
I = F5			

Example valve figure number: DPW12E1WSB-HS

Dual Plate Wafer, 12", Wafer end connection, 150 ASME, WCB Body, CF8M Disc, F316 Hinge pin, with hard faced disc and stellite seat facing.

RANGER
VALVE AMERICA