

TABLE 1: AVAILABLE BORE VALUES AND MACHINING DIMENSIONS, STANDARD LINE SIZES						
LINE SIZE	PIPE SCH	EQUIVALENT BORE TABULATION	EQUIVALENT BORE	BETA RATIO	METER Ø OD	METER Ø ID
2NPS	SCH40	0827	0.827	0.40	3.015 [76,58]	2.067 [52,50]
		1034	1.034	0.50		
		1240	1.240	0.60		
		OTHER (NON-STD)				
3NPS	SCH40	1227	1.227	0.40	4.000 [101,60]	3.068 [77,93]
		1534	1.534	0.50		
		1994	1.994	0.65		
		OTHER (NON-STD)				
4NPS	SCH40	1610	1.610	0.40	5.000 [127,00]	4.026 [102,26]
		2013	2.013	0.50		
		2617	2.617	0.65		
		OTHER (NON-STD)				
6NPS	SCH40	2426	2.426	0.40	7.000 [177,80]	6.065 [154,05]
		3033	3.033	0.50		
		3942	3.942	0.65		
		OTHER (NON-STD)				
2NPS	SCH80	0776	0.776	0.40	3.015 [76,58]	1.939 [49,25]
		0970	0.970	0.50		
		1163	1.163	0.60		
		OTHER (NON-STD)				
3NPS	SCH80	1160	1.160	0.40	4.000 [101,60]	2.900 [73,66]
		1450	1.450	0.50		
		1885	1.885	0.65		
		OTHER (NON-STD)				
4NPS	SCH80	1530	1.530	0.40	5.000 [127,00]	3.826 [97,18]
		1913	1.913	0.50		
		2487	2.487	0.65		
		OTHER (NON-STD)				
6NPS	SCH80	2304	2.304	0.40	7.000 [177,80]	5.761 [146,33]
		2881	2.881	0.50		
		3745	3.745	0.65		
		OTHER (NON-STD)				
4NPS	SCH120	1449	1.449	0.40	5.000 [127,00]	3.624 [92,05]
		1812	1.812	0.50		
		2356	2.356	0.65		
		OTHER (NON-STD)				
6NPS	SCH120	2200	2.200	0.40	7.000 [177,80]	5.501 [139,73]
		2751	2.751	0.50		
		3576	3.576	0.65		
		OTHER (NON-STD)				
2NPS	SCH160	0675	0.675	0.40	3.015 [76,58]	1.687 [42,85]
		0844	0.844	0.50		
		1012	1.012	0.60		
		OTHER (NON-STD)				
3NPS	SCH160	1050	1.050	0.40	4.000 [101,60]	2.624 [66,65]
		1312	1.312	0.50		
		1706	1.706	0.65		
		OTHER (NON-STD)				
4NPS	SCH160	1375	1.375	0.40	5.000 [127,00]	3.438 [87,33]
		1719	1.719	0.50		
		2235	2.235	0.65		
		OTHER (NON-STD)				
6NPS	SCH160	2075	2.075	0.40	7.000 [177,80]	5.187 [131,75]
		2594	2.594	0.50		
		3372	3.372	0.65		
		OTHER (NON-STD)				

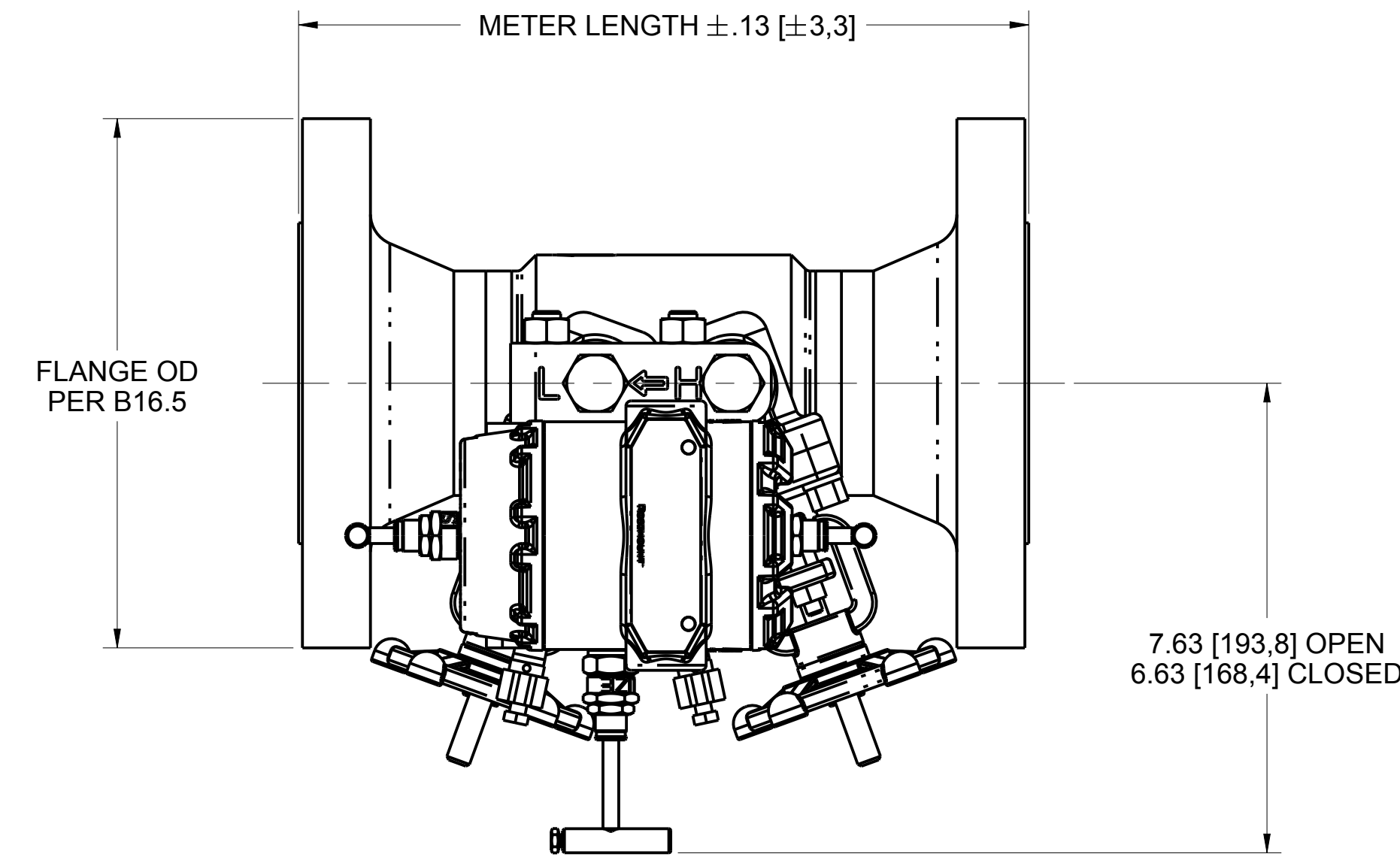
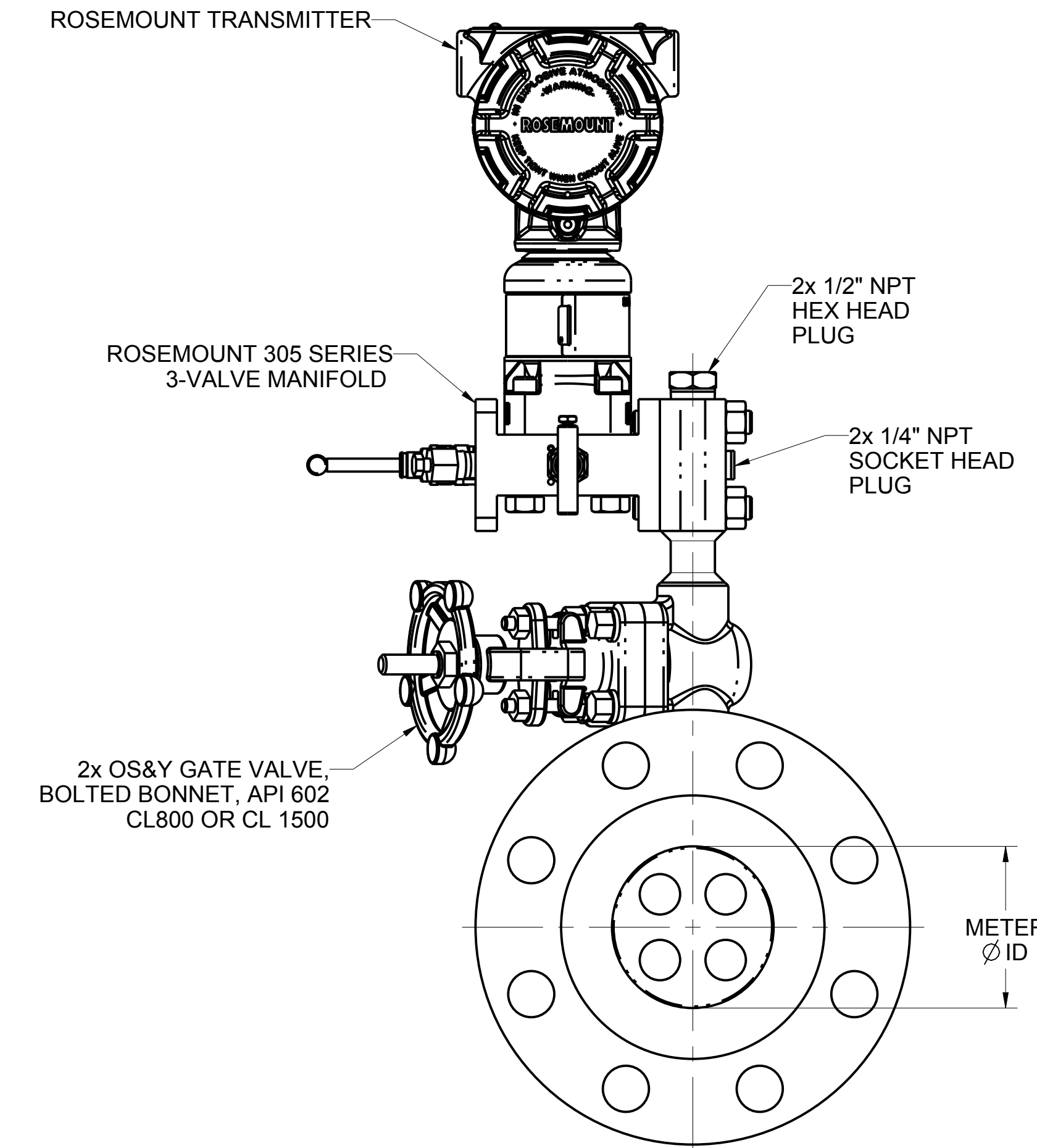
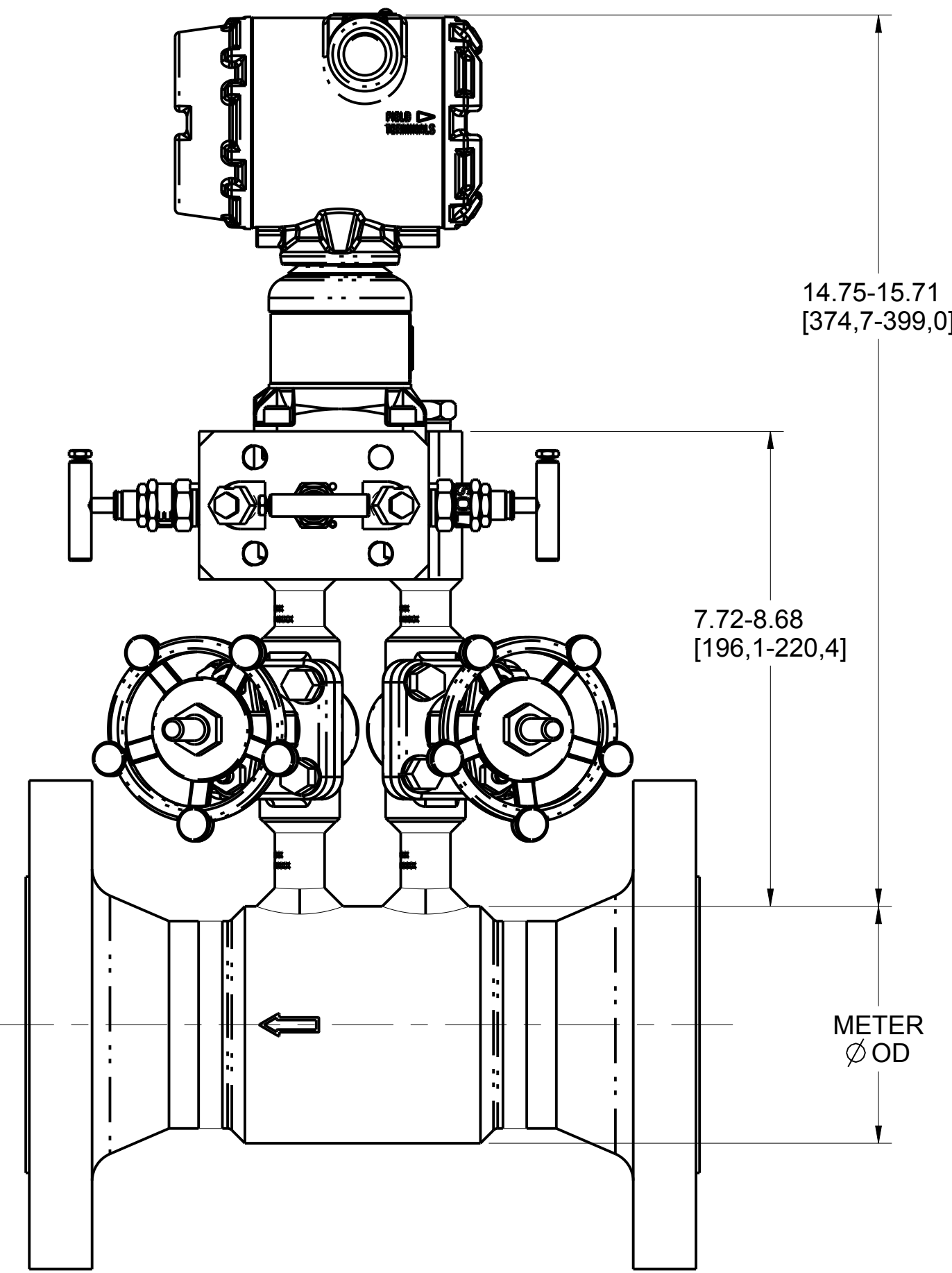


TABLE 2: METER LENGTH				
	CL150	CL300	CL600	CL900
2NPS	9.96 [253,0]	10.46 [265,7]	11.22 [285,0]	13.46 [341,9]
3NPS	10.44 [265,2]	11.18 [284,0]	11.94 [291,9]	13.44 [341,8]
4NPS	11.08 [281,4]	11.84 [300,7]	13.58 [344,9]	14.58 [370,3]
6NPS	12.33 [313,2]	13.09 [332,5]	15.07 [382,8]	16.83 [427,5]

REVISION TABLE			
REVISION	ECO NO.	APP'D	DATE
AB	DSI1055017	N.KENYON	08/14/18
DESCRIPTION			
GENERAL UPDATES			



©2015 ROSEMOUNT INC.
ROSEMOUNT INC. CERTIFIES
THIS DOCUMENT IS IN
ACCORDANCE WITH
ROSEMOUNT ENGINEERING
SPECIFICATIONS.
UNIT NOTES IN INCHES (mm).
REFERENCE ROSEMOUNT
PRODUCT SPECIFICATIONS.
CLICK HERE

3RD ANGLE

SIZE D SCALE NTS

EMERSON

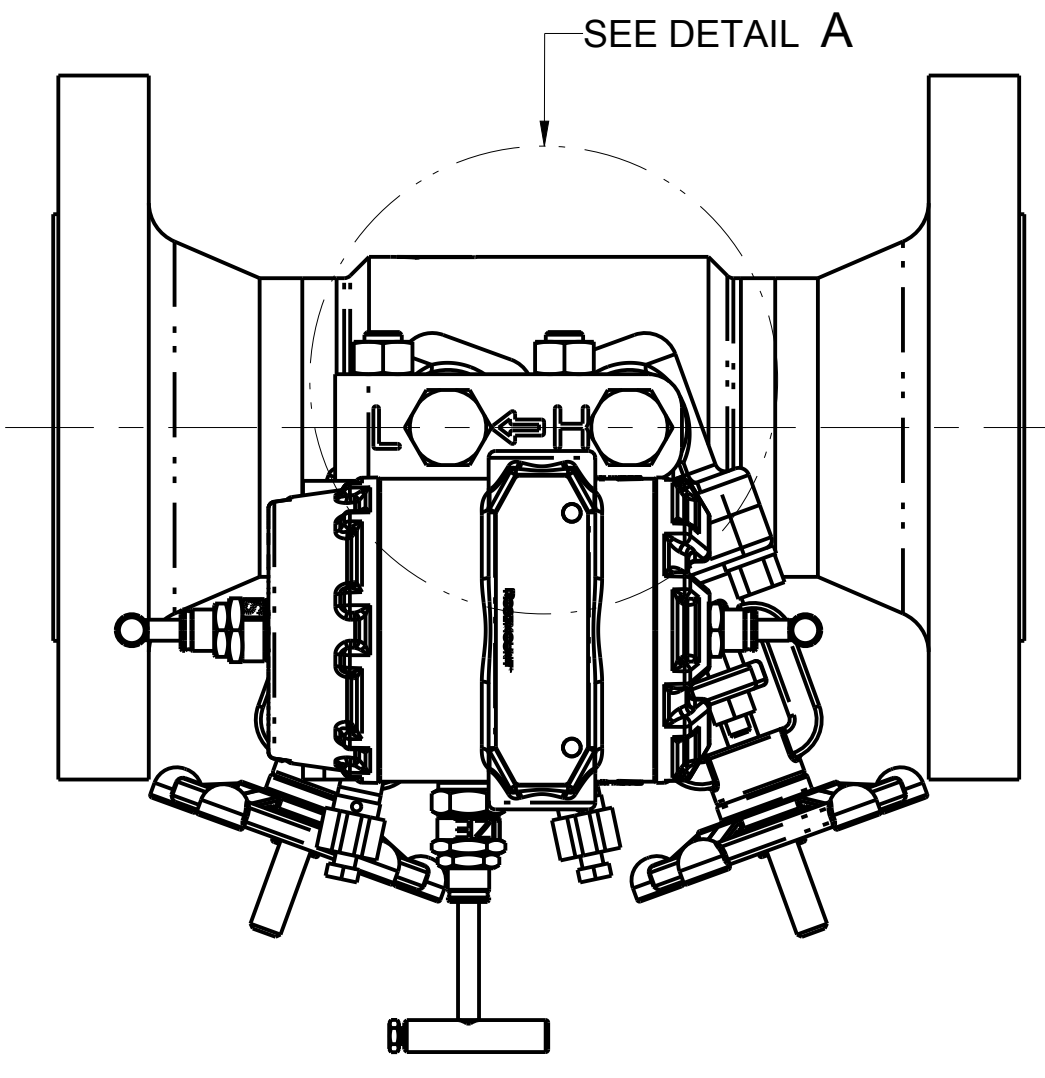
TITLE
**ROSEMOUNT 9295
TYPE 1 DRAWING**

DR. J.RUMSEY | 05/17/18 | DRAWING NO. 09295-1001
APP'D N.KEMYON | 05/22/18

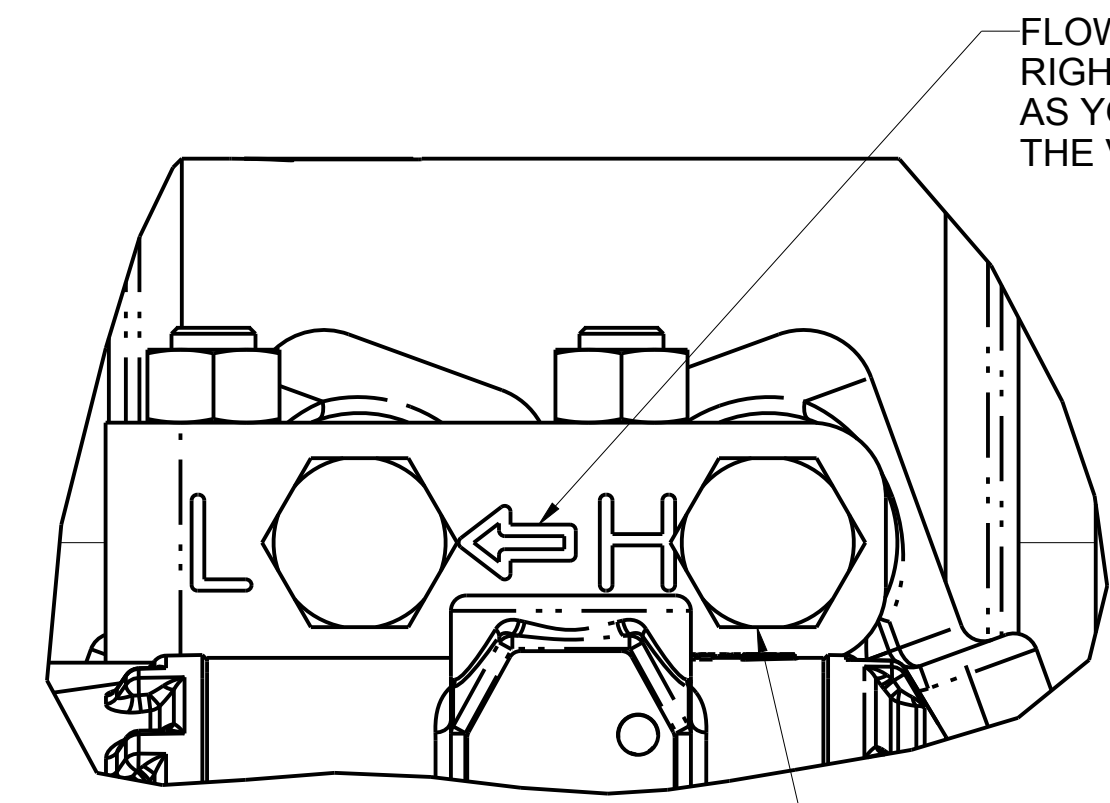
CAD MAINTAINED, (PROE) SHEET 1 OF 7

1 2 3 4 5 6 7 8 9 10 11 12 13 14 15 16

A
B
C
D
E
F
G
H
J
K
L
M



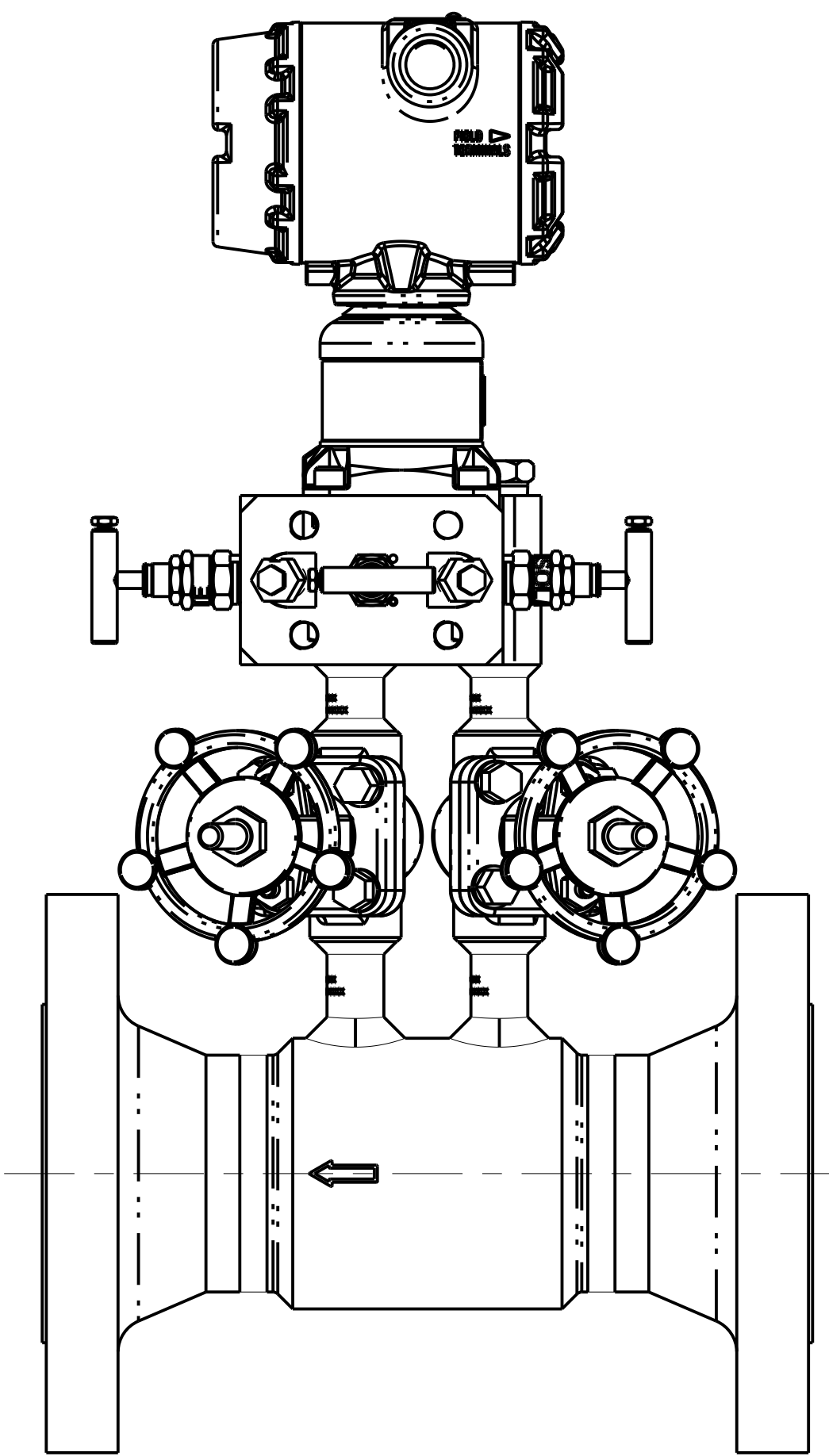
SEE DETAIL A



FLOW IS FROM RIGHT TO LEFT AS YOU LOOK AT THE VALVES

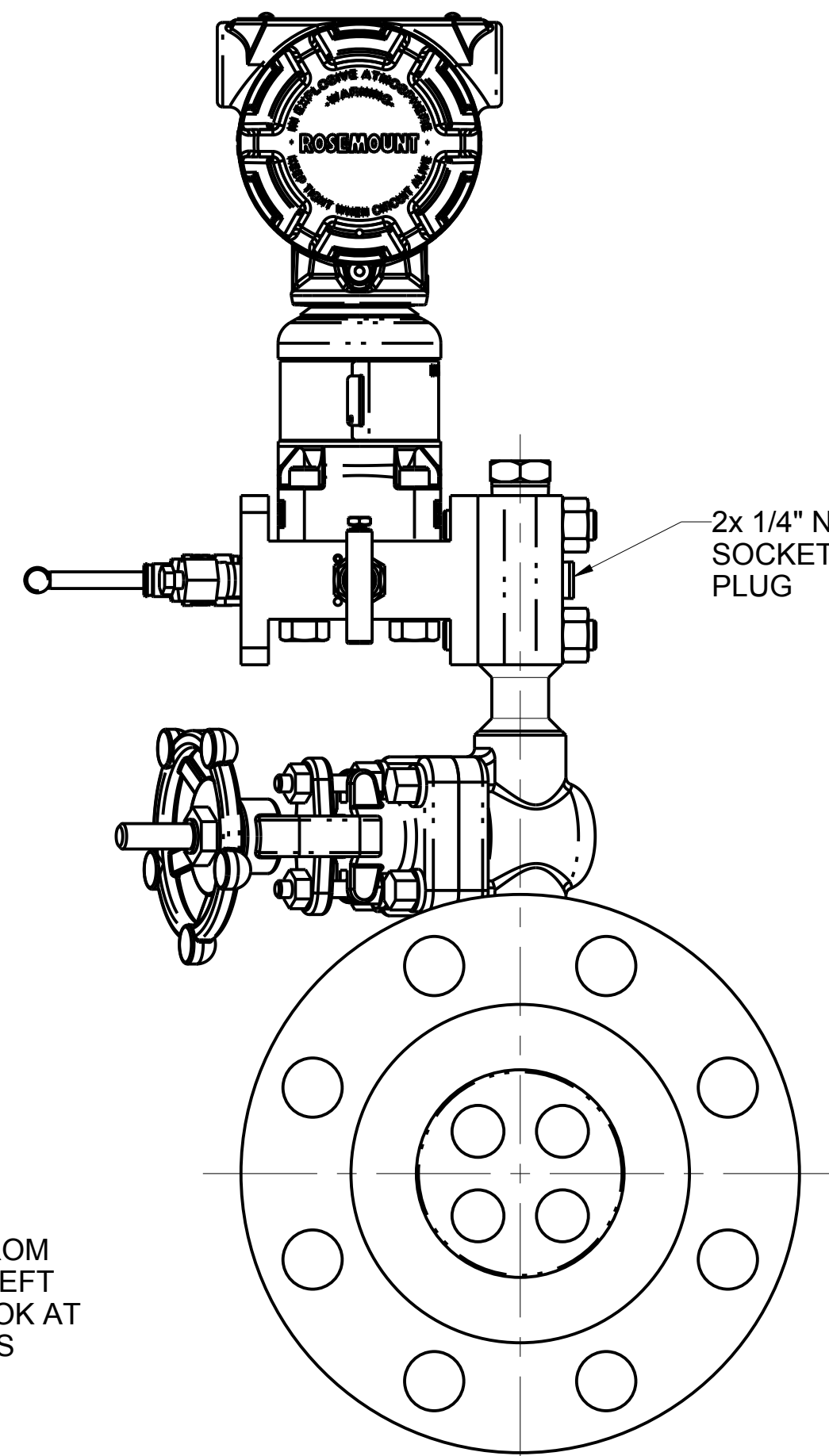
DETAIL A SCALE 1/1

2x 1/2" NPT HEX HEAD PLUG



← FLOW

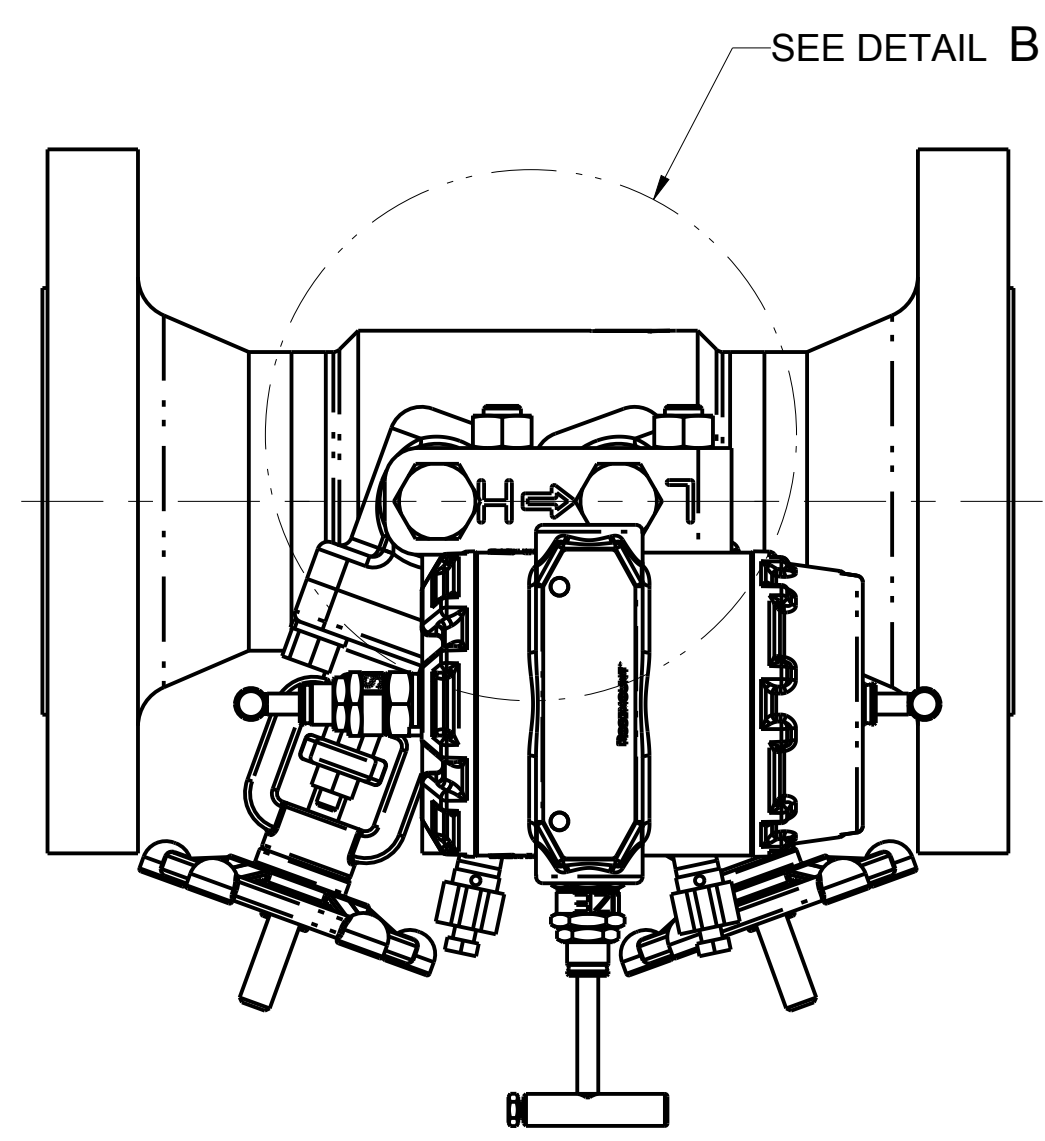
FLOW IS FROM RIGHT TO LEFT AS YOU LOOK AT THE VALVES



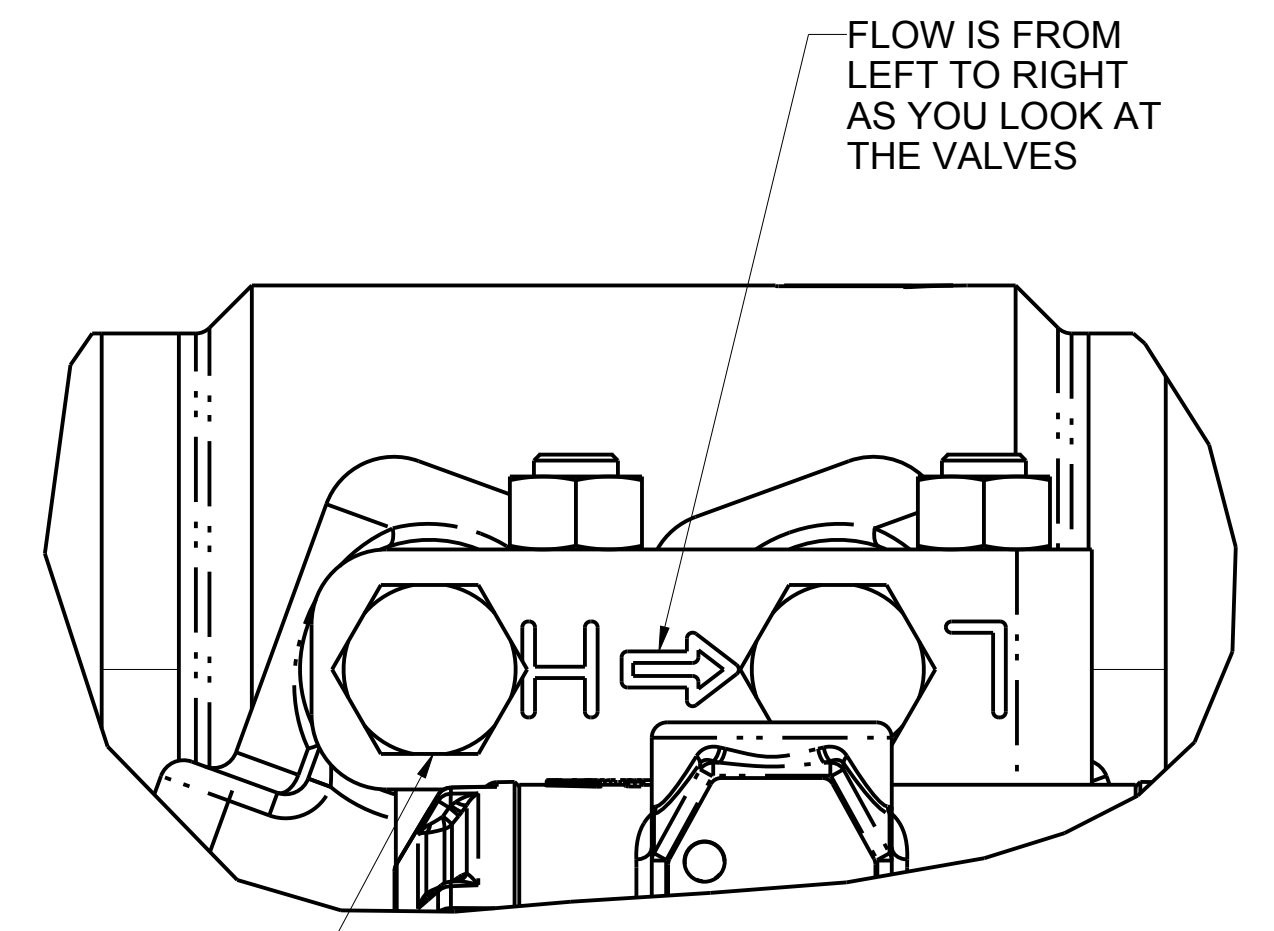
2x 1/4" NPT SOCKET HEAD PLUG

(LOOKING DOWNSTREAM)

DIRECT MOUNT, SINGLE TAP WITH VALVES, LEFT HANDED



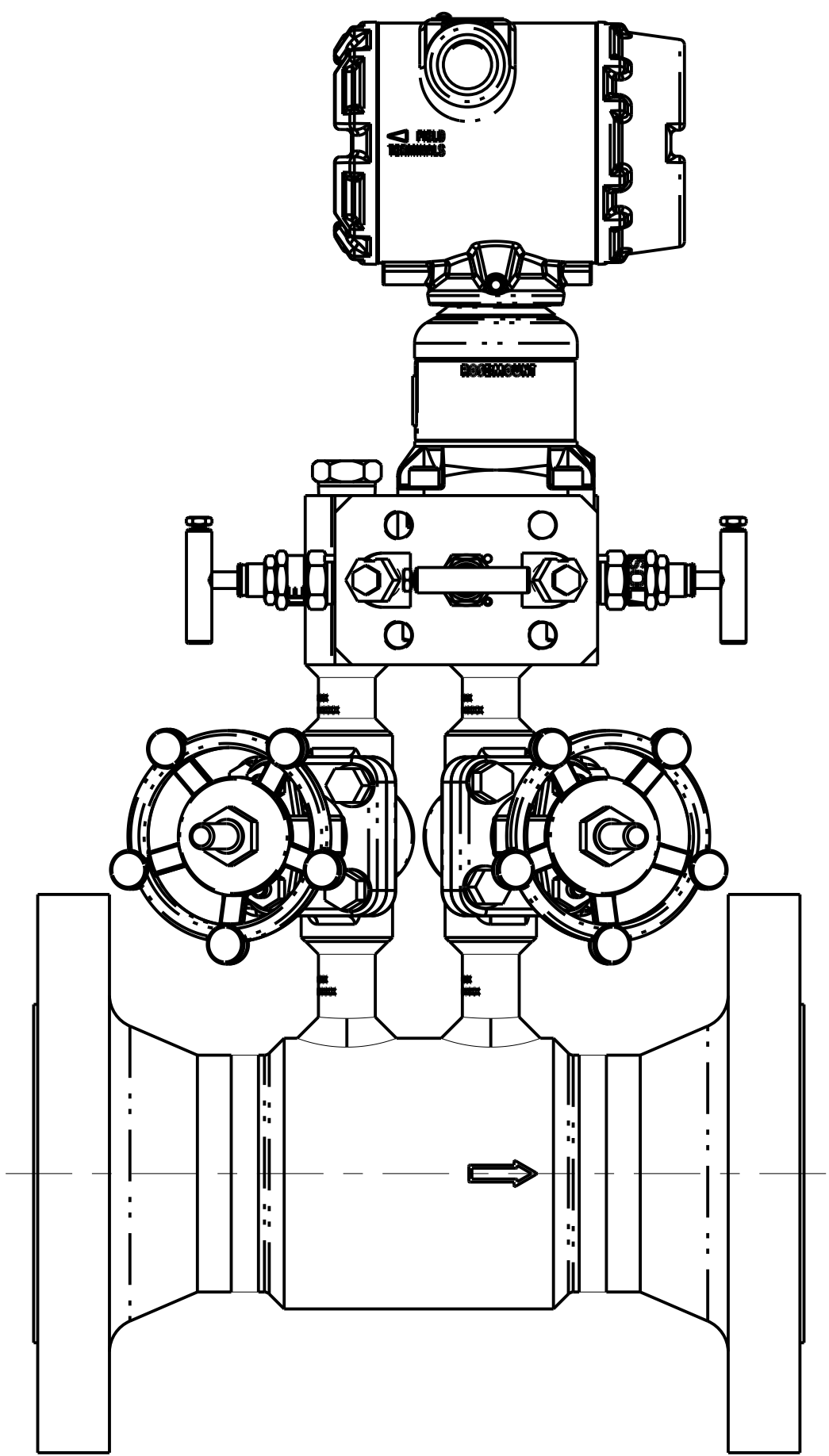
SEE DETAIL B



FLOW IS FROM LEFT TO RIGHT AS YOU LOOK AT THE VALVES

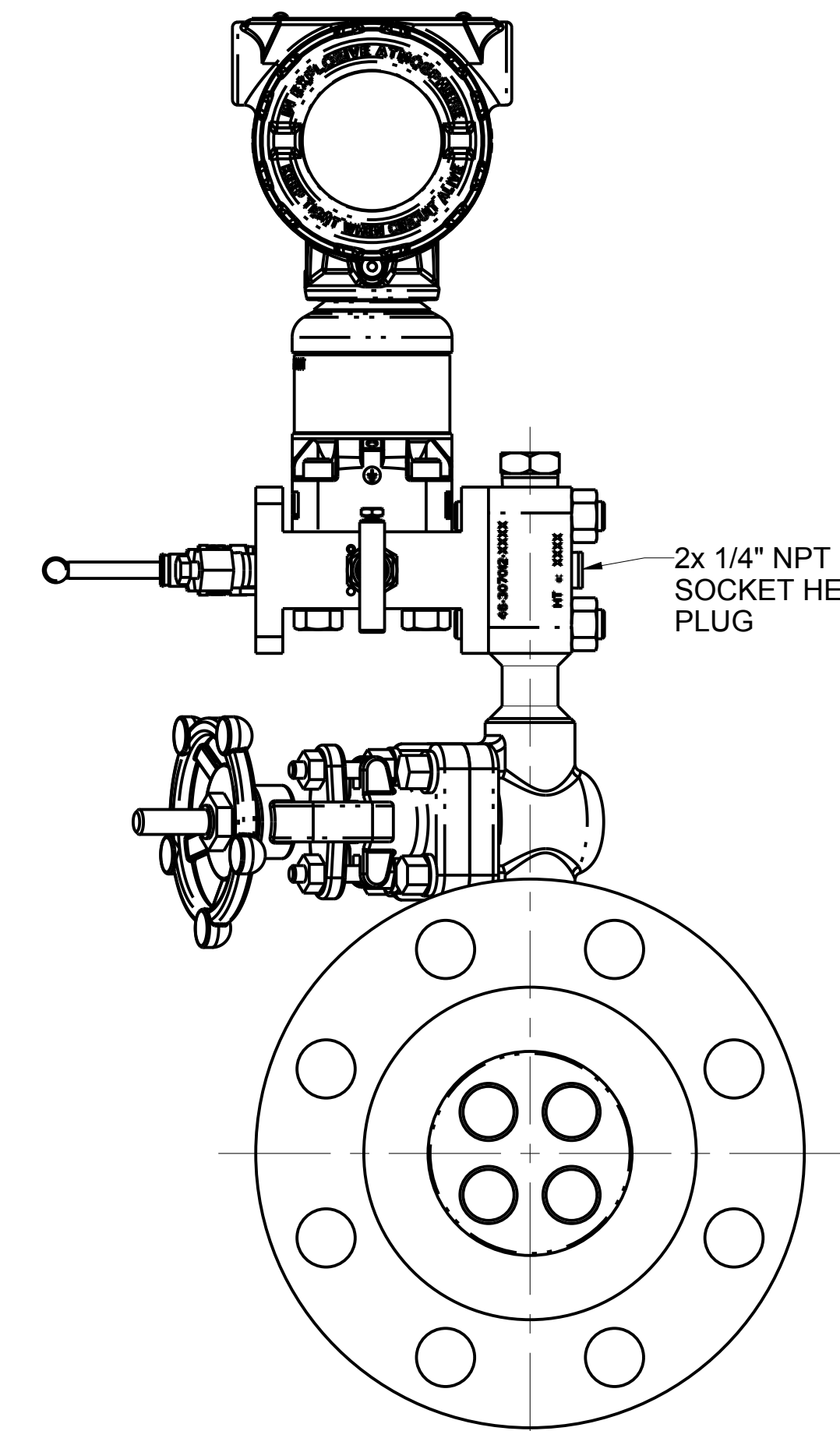
DETAIL B SCALE 1/1

2x 1/2" NPT HEX HEAD PLUG



→ FLOW

FLOW IS FROM LEFT TO RIGHT AS YOU LOOK AT THE VALVES

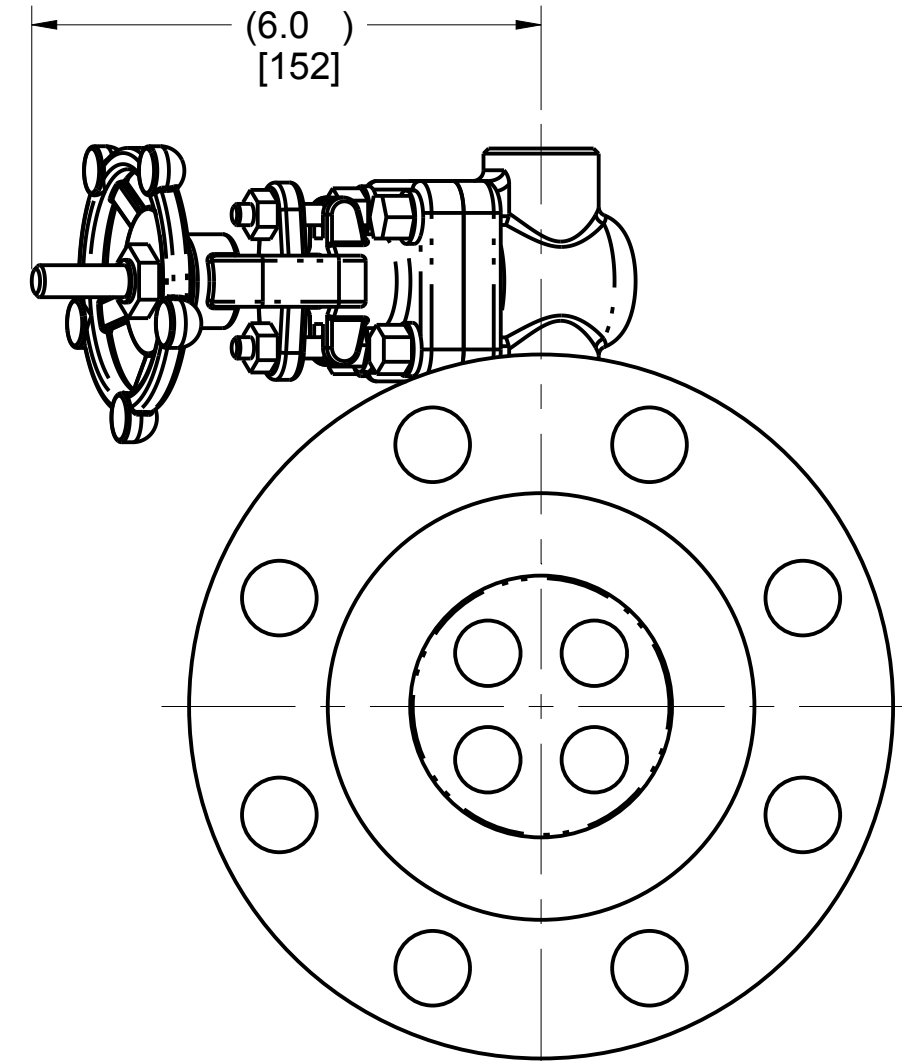
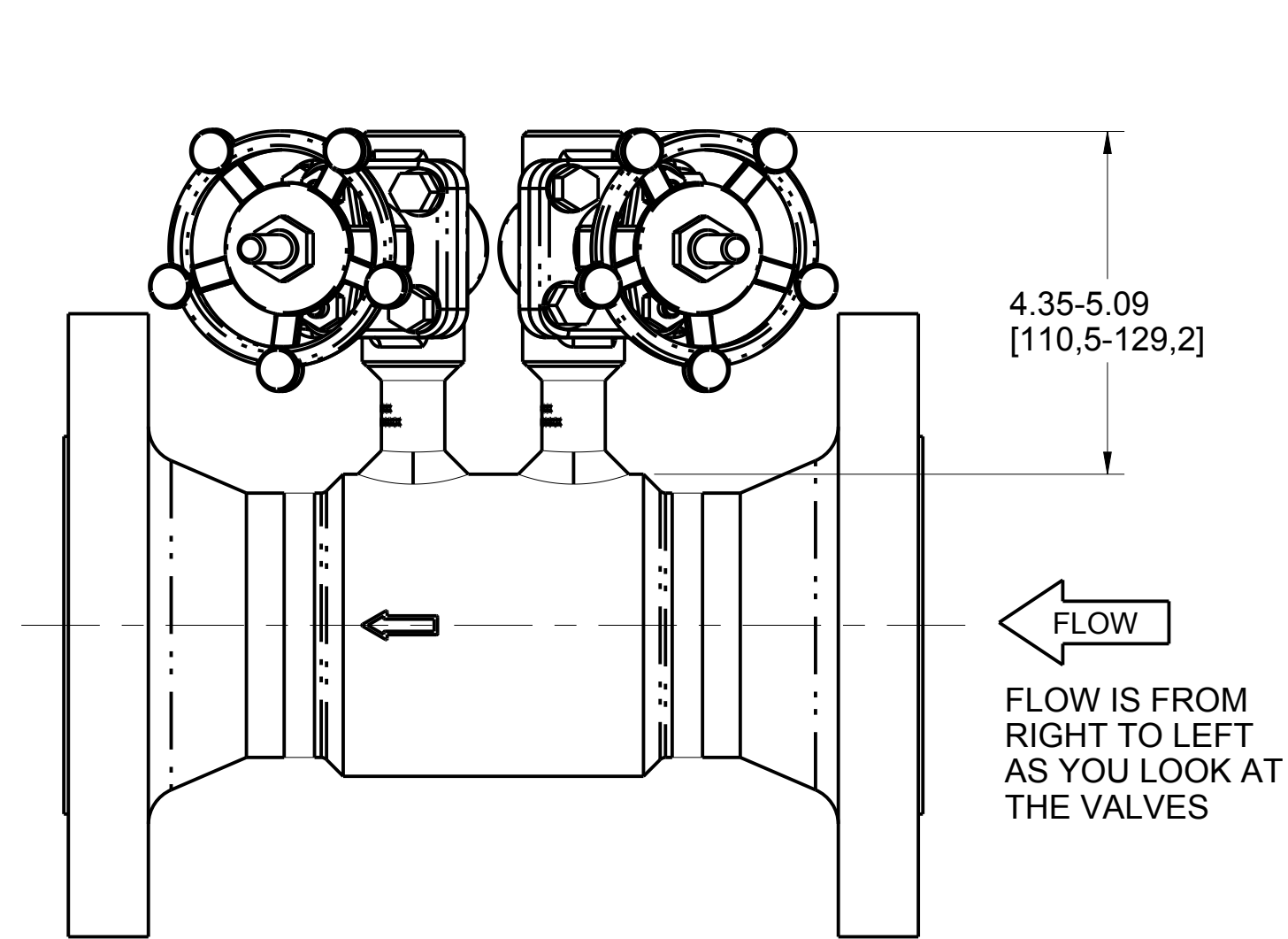
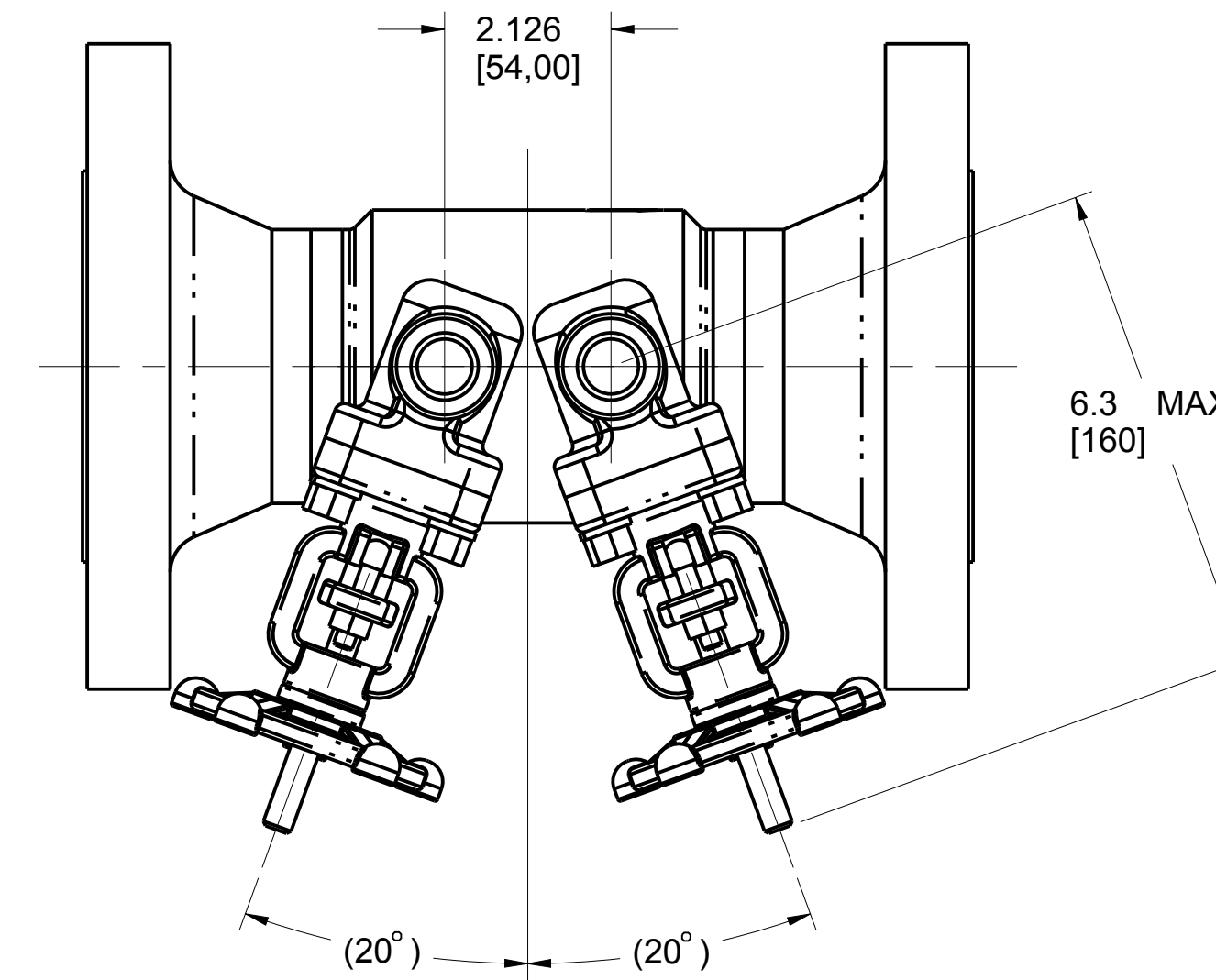
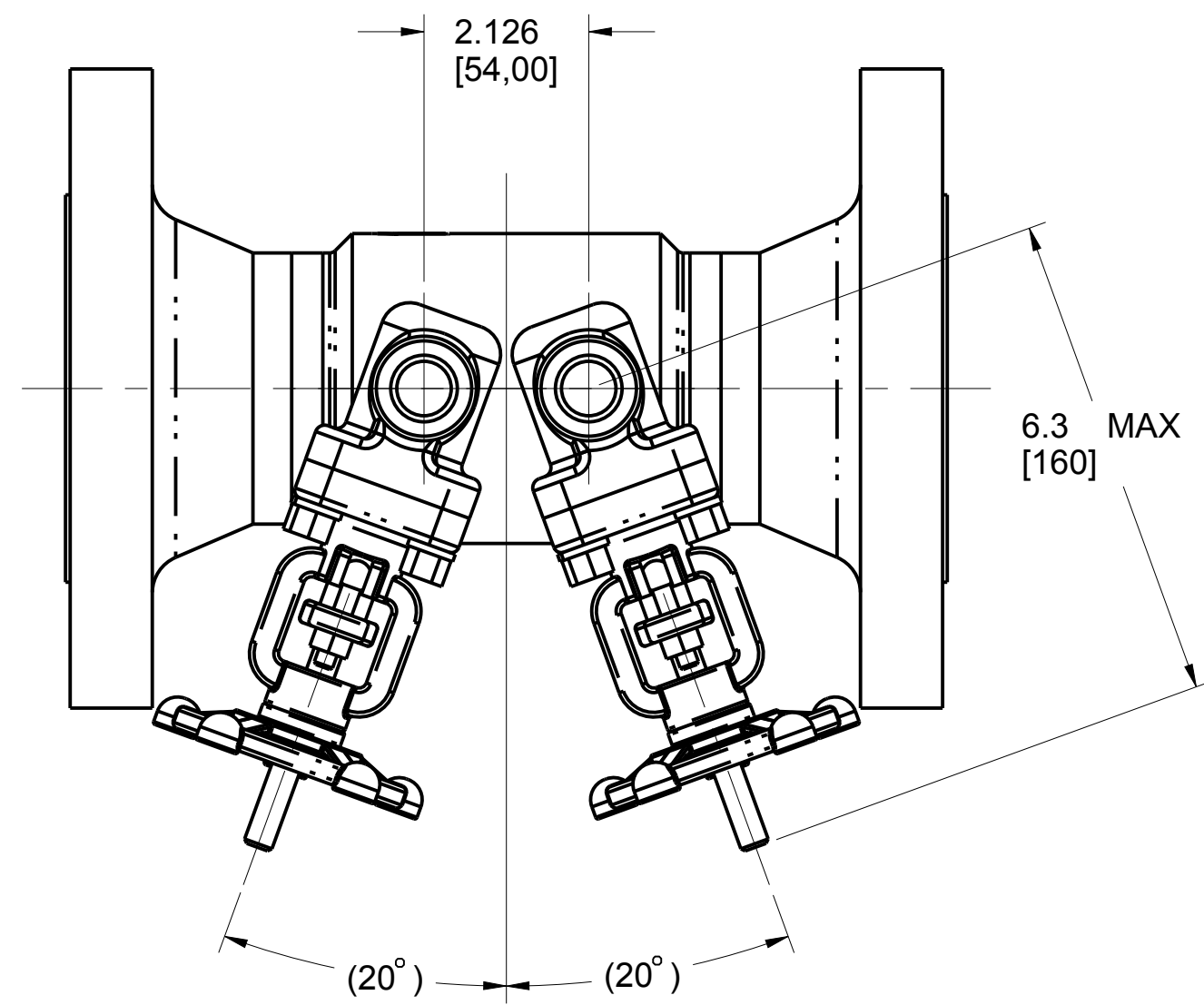


2x 1/4" NPT SOCKET HEAD PLUG

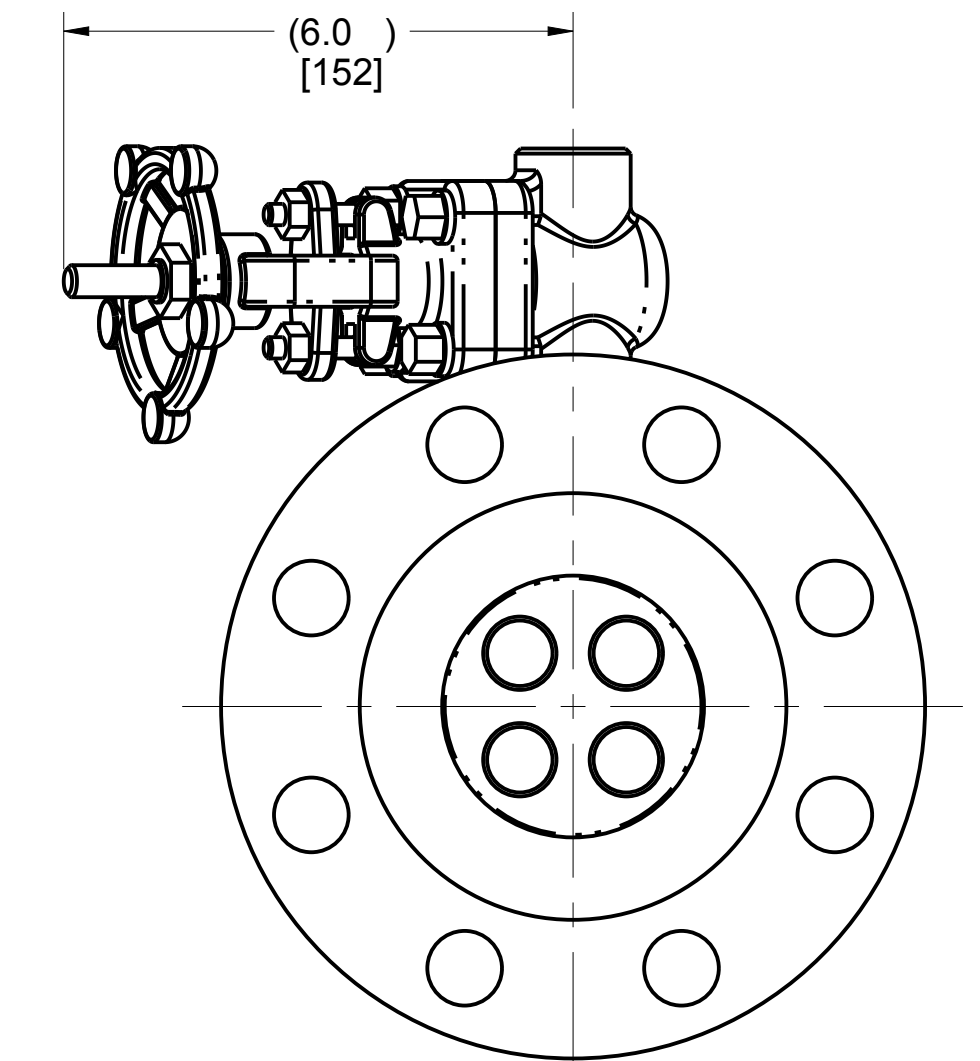
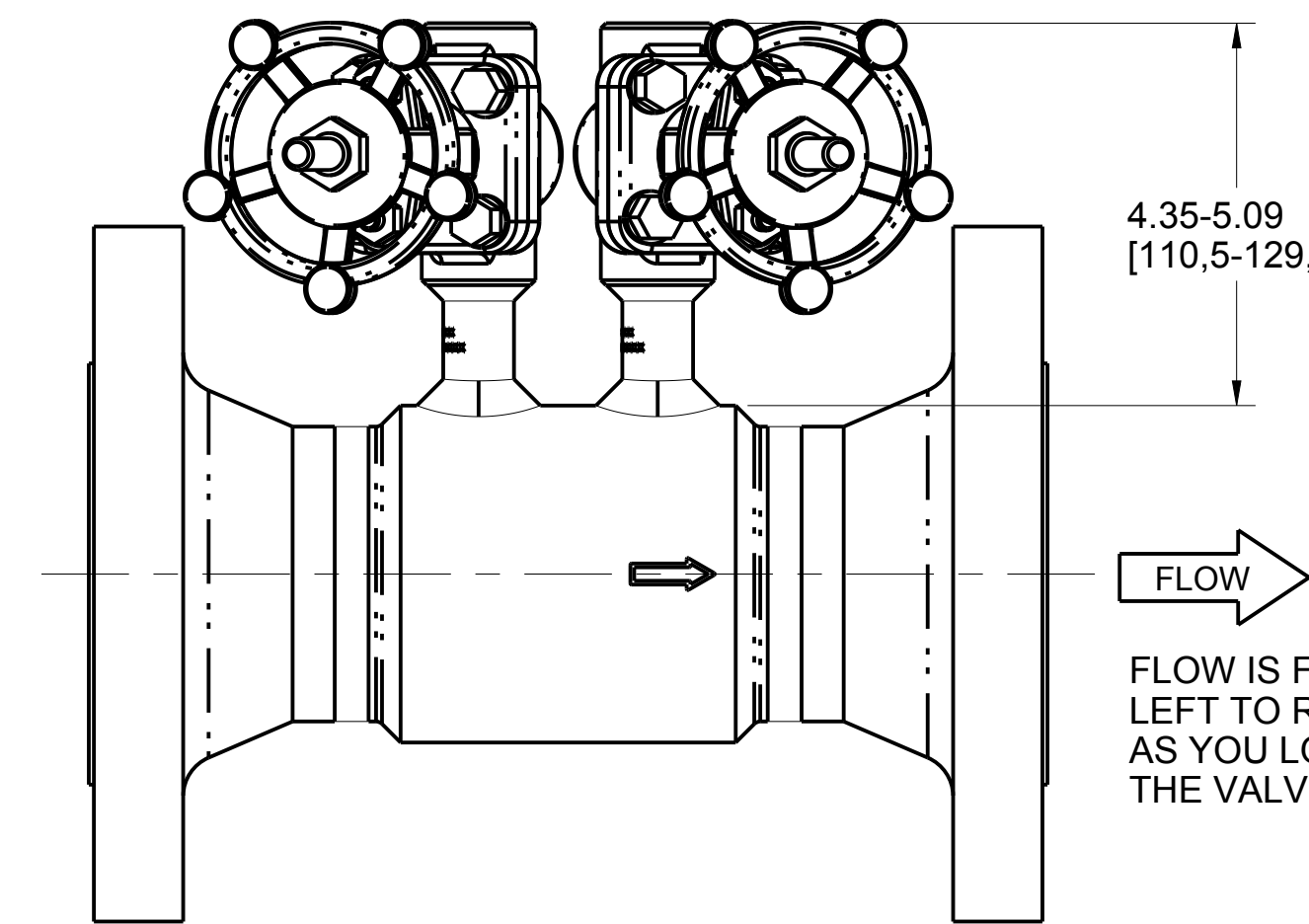
(LOOKING UPSTREAM)

DIRECT MOUNT, SINGLE TAP WITH VALVES, RIGHT HANDED

©2015 ROSEMOUNT INC. ROSEMOUNT INC. CERTIFIES THIS DRAWING TO BE IN ACCORDANCE WITH ROSEMOUNT ENGINEERING SPECIFICATIONS. UNIT NOTES IN INCHES (mm). REFERENCE ROSEMOUNT PRODUCT SPECIFICATIONS. CLICK HERE	3RD ANGLE	SIZE D	SCALE NTS
	TITLE ROSEMOUNT 9295 TYPE 1 DRAWING		
	DR. J. RUMSEY 05/17/18 DRAWING NO.	APP'D N. KEMYON 05/22/18	
CAD MAINTAINED, (PRO/E)		SHEET 2 OF 7	



(LOOKING DOWNSTREAM)

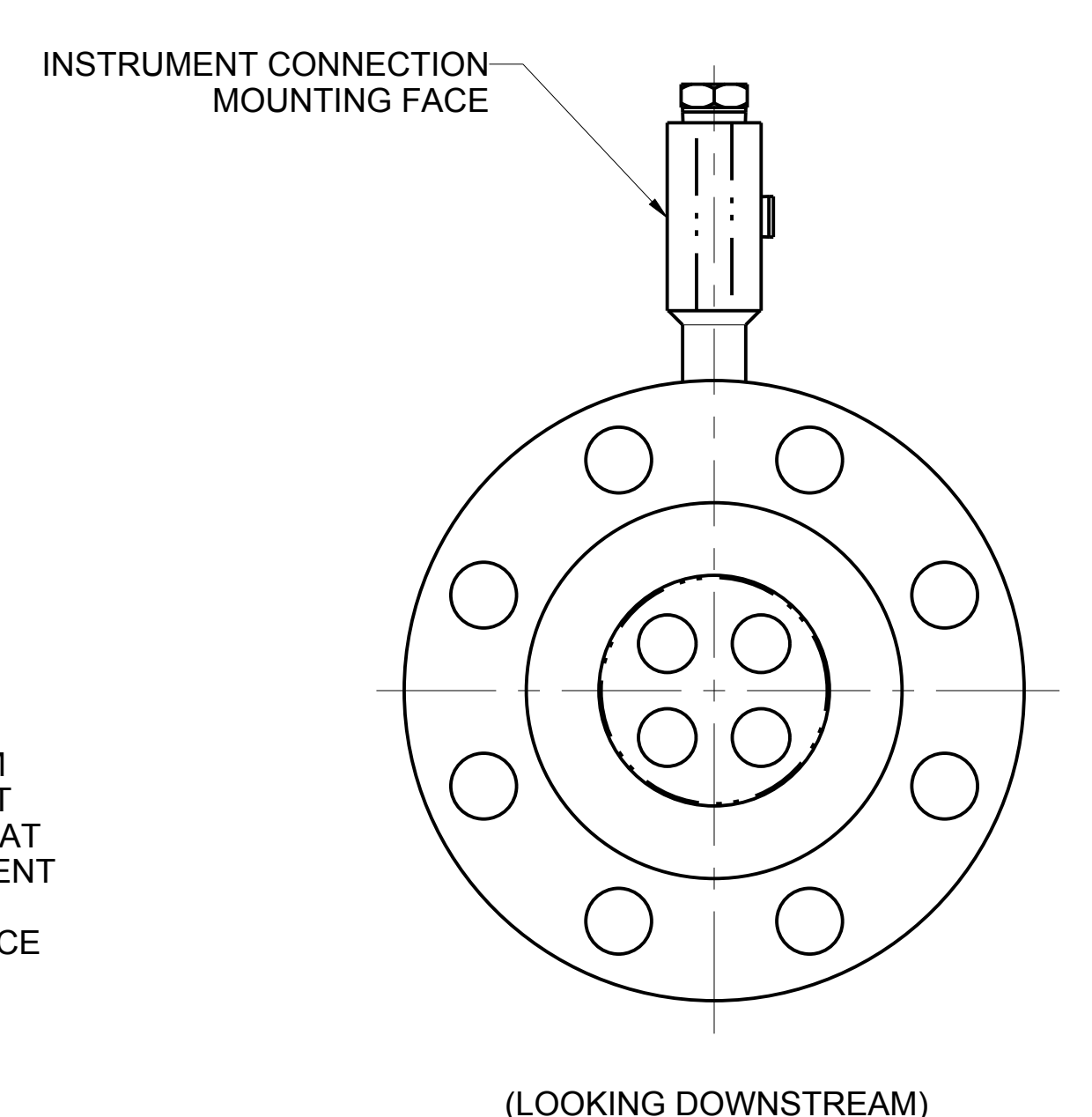
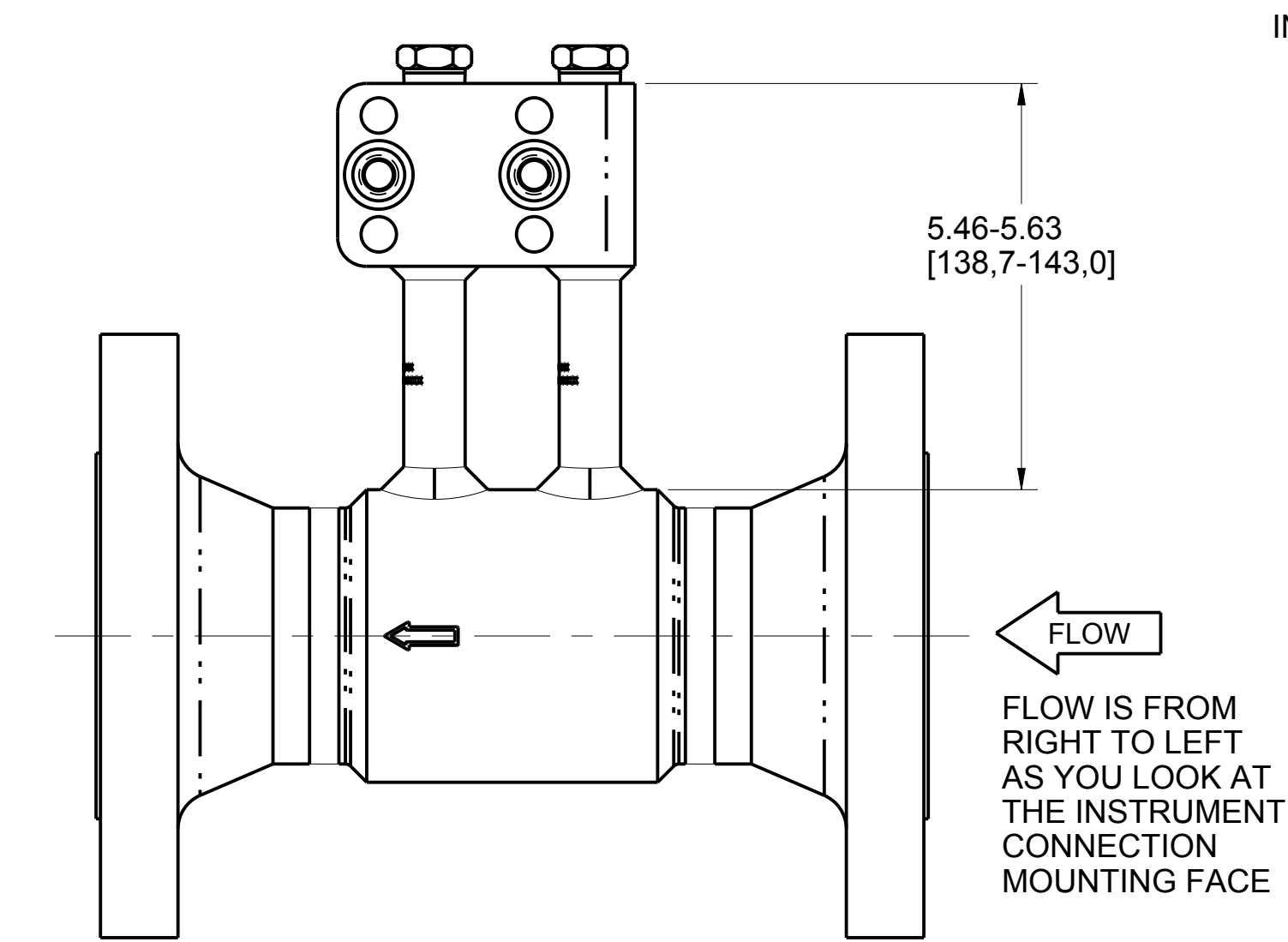
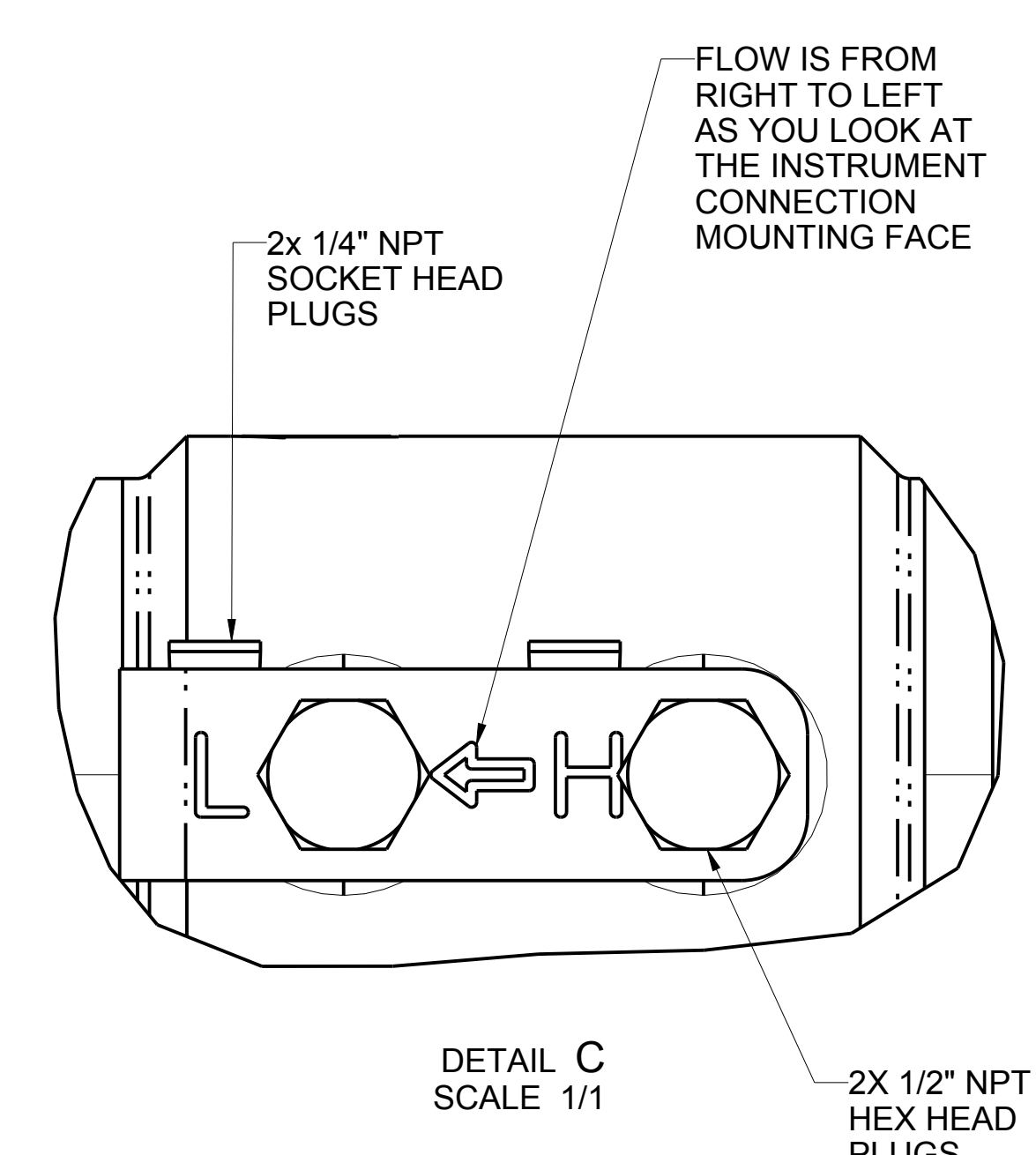
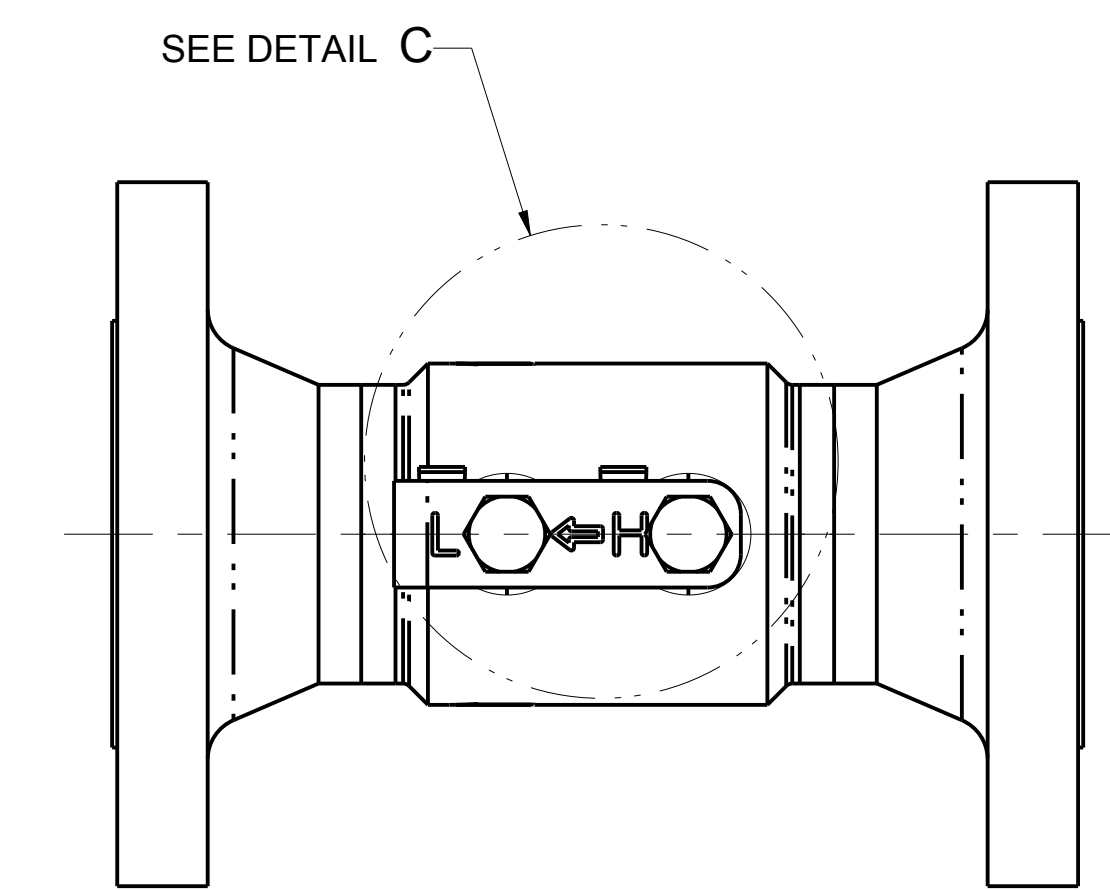


(LOOKING UPSTREAM)

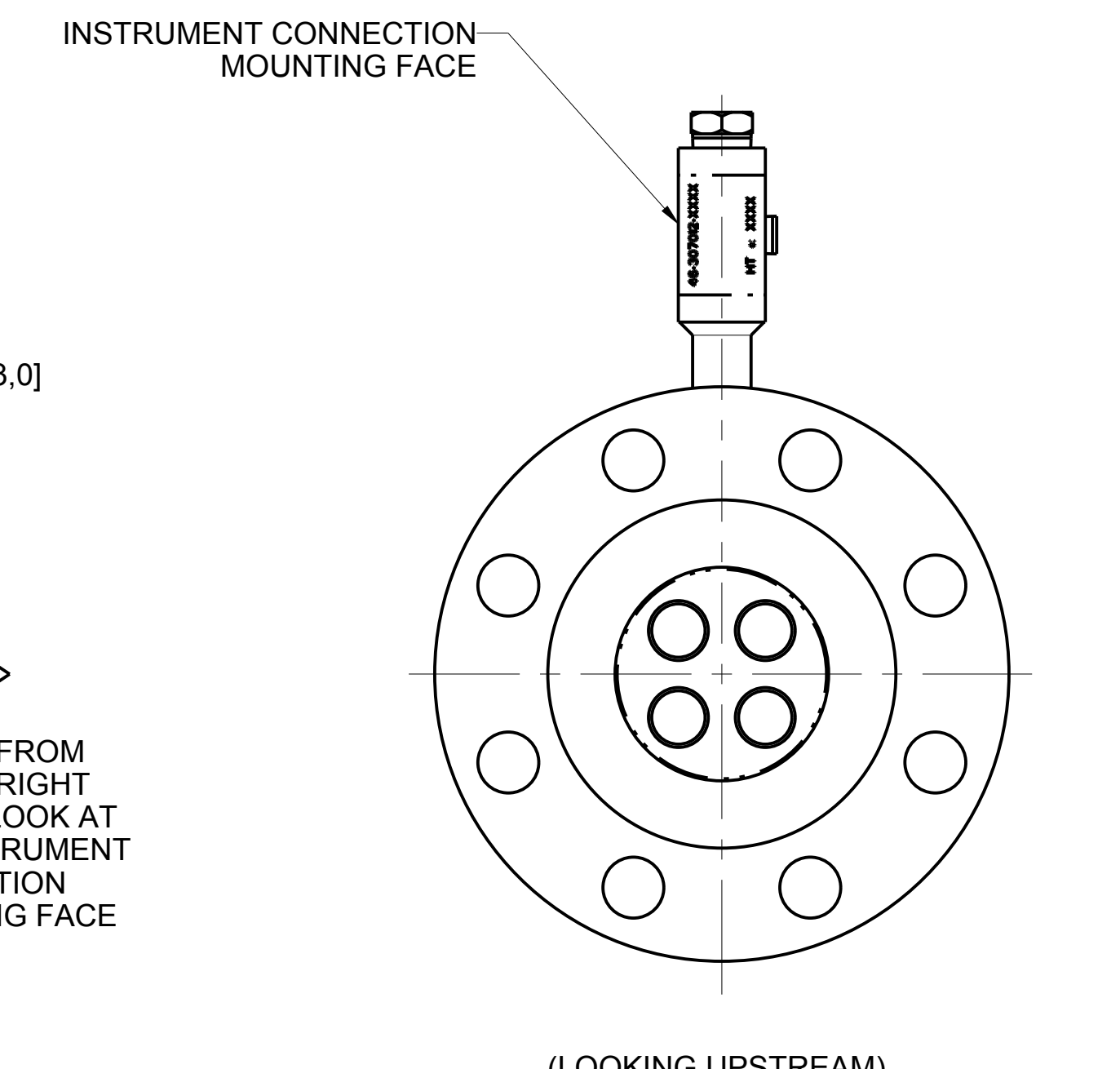
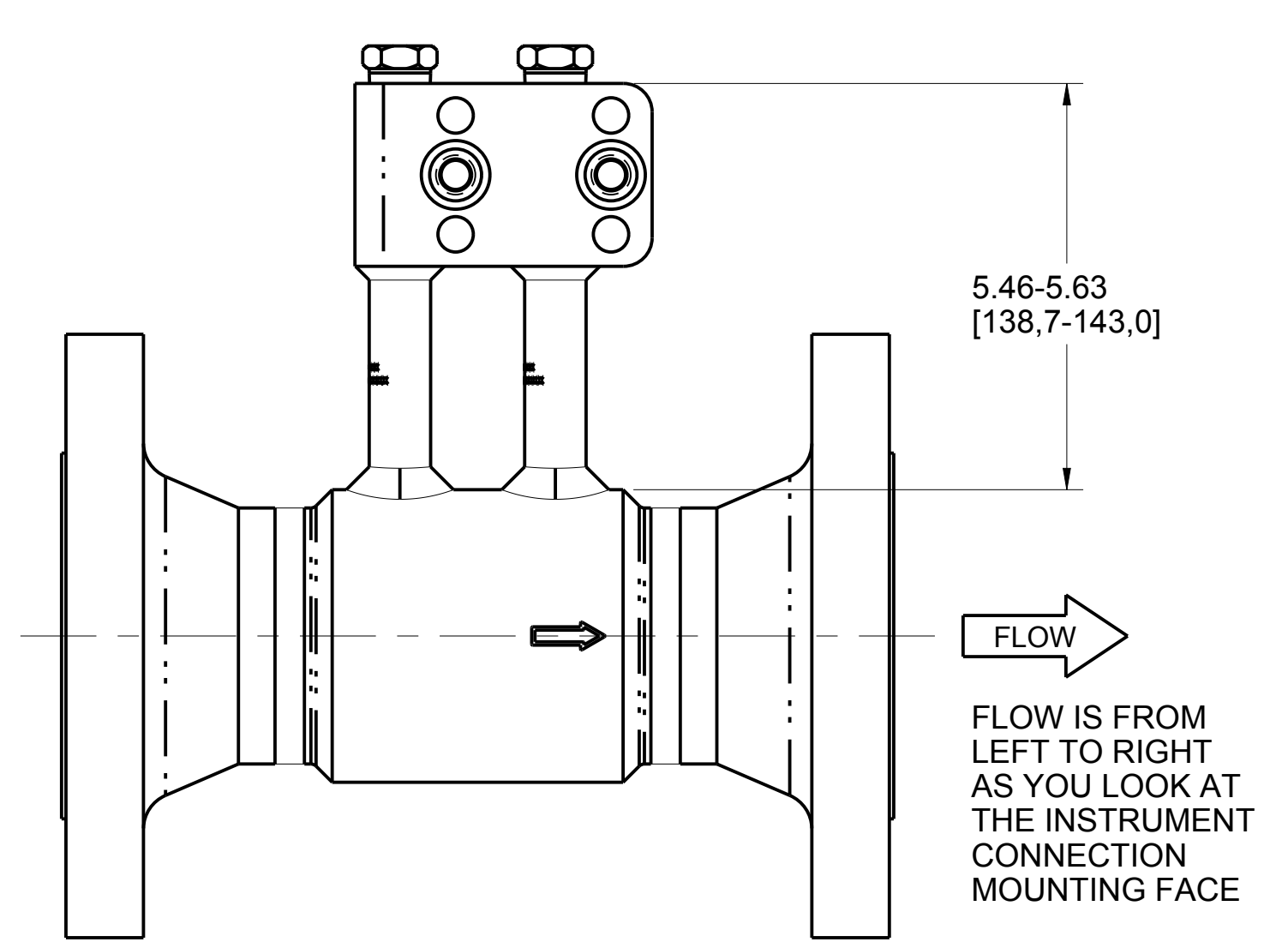
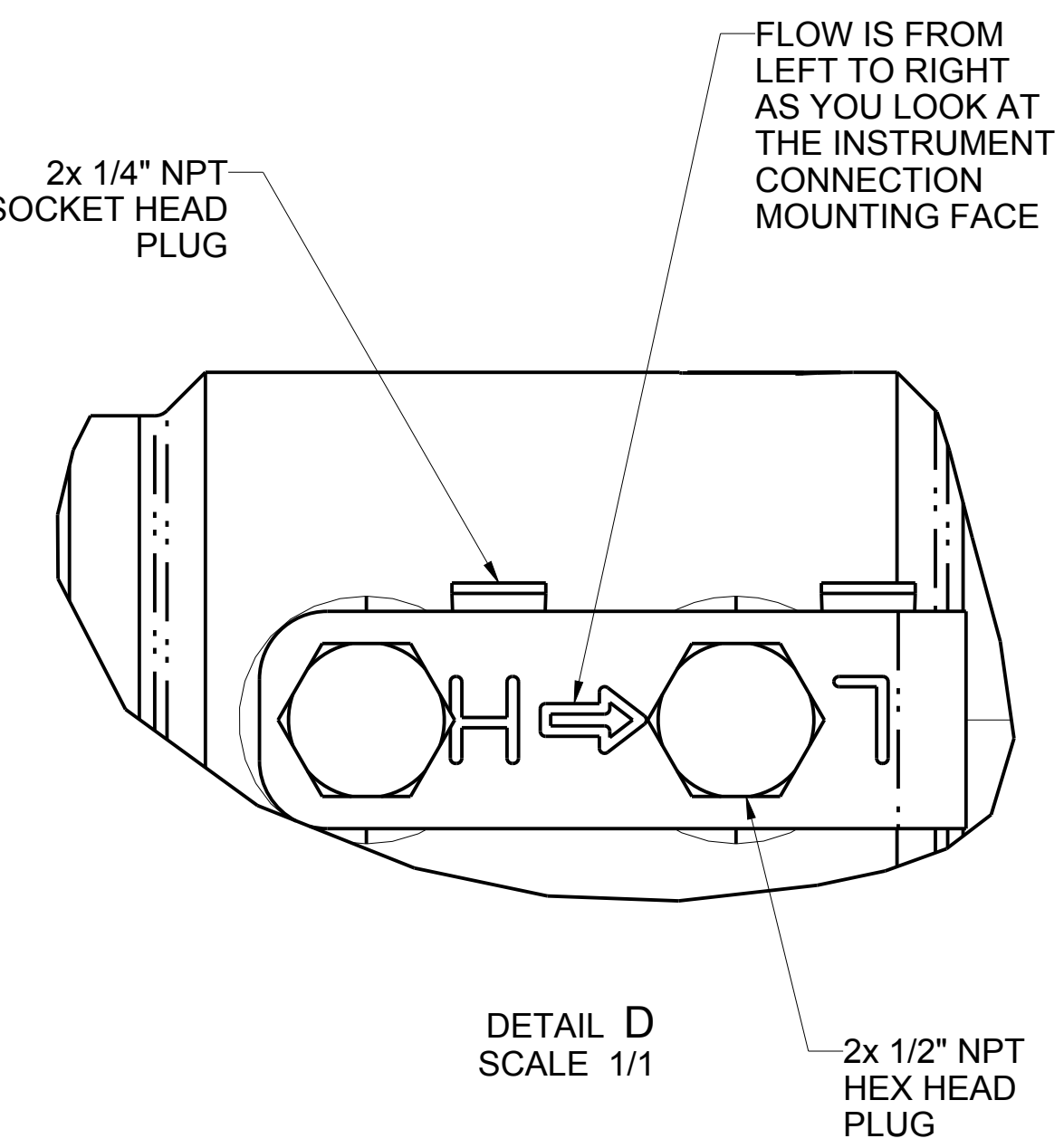
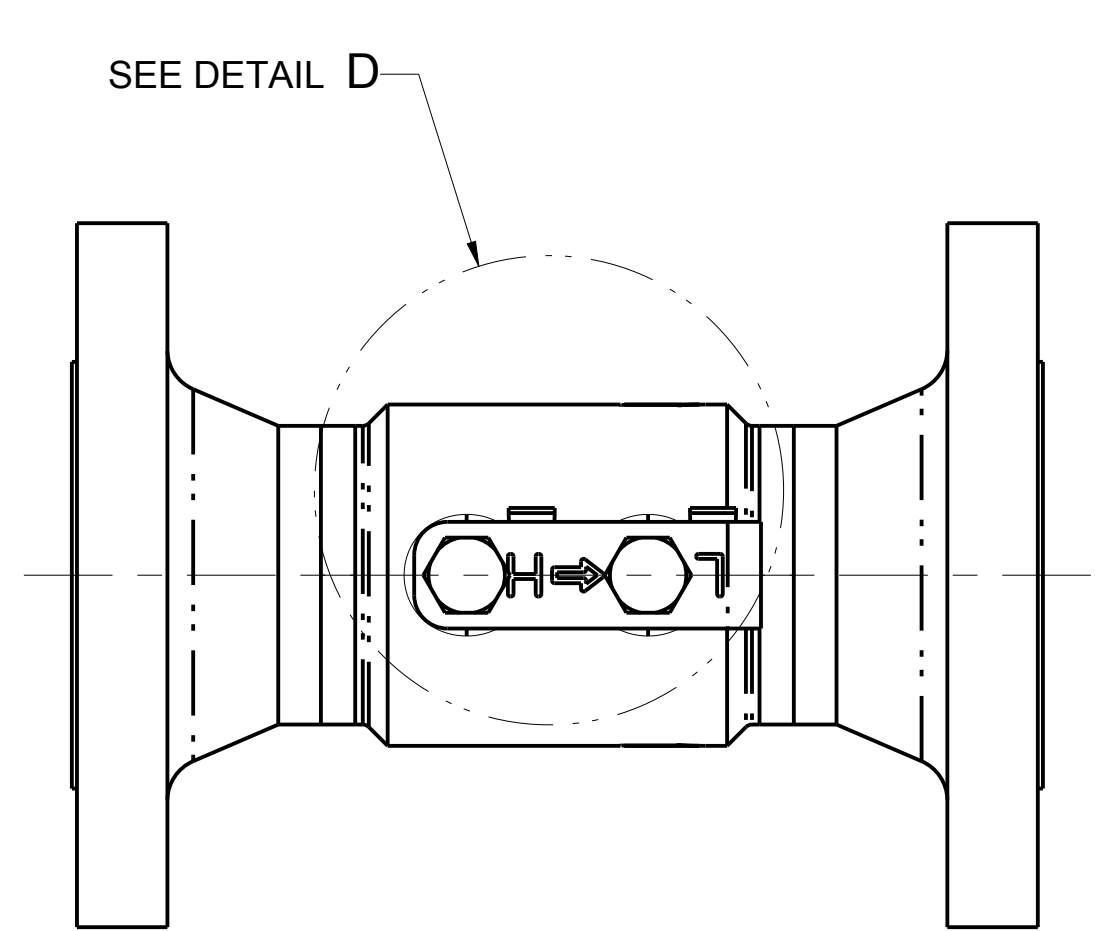
REMOTE MOUNT, SINGLE TAP WITH VALVES, LEFT HANDED

REMOTE MOUNT, SINGLE TAP WITH VALVES, RIGHT HANDED

<small>©2015 ROSEMOUNT INC. ROSEMOUNT INC. CERTIFIES THIS DRAWING TO BE IN ACCORDANCE WITH ROSEMOUNT ENGINEERING SPECIFICATIONS. UNIT NOTES IN INCHES (mm). REFERENCE ROSEMOUNT PRODUCT SPECIFICATIONS. CLICK HERE</small>			<small>3RD ANGLE</small> 	<small>SIZE</small> D	<small>SCALE</small> NTS	
	TITLE ROSEMOUNT 9295 TYPE 1 DRAWING					
	<small>DR.</small> J.RUMSEY	<small>05/17/18</small>	<small>DRAWING NO.</small>	09295-1001		
	<small>APP'D</small> N.KEMYON	<small>05/22/18</small>	<small>CAD MAINTAINED, (PROE)</small>			<small>SHEET 3 OF 7</small>

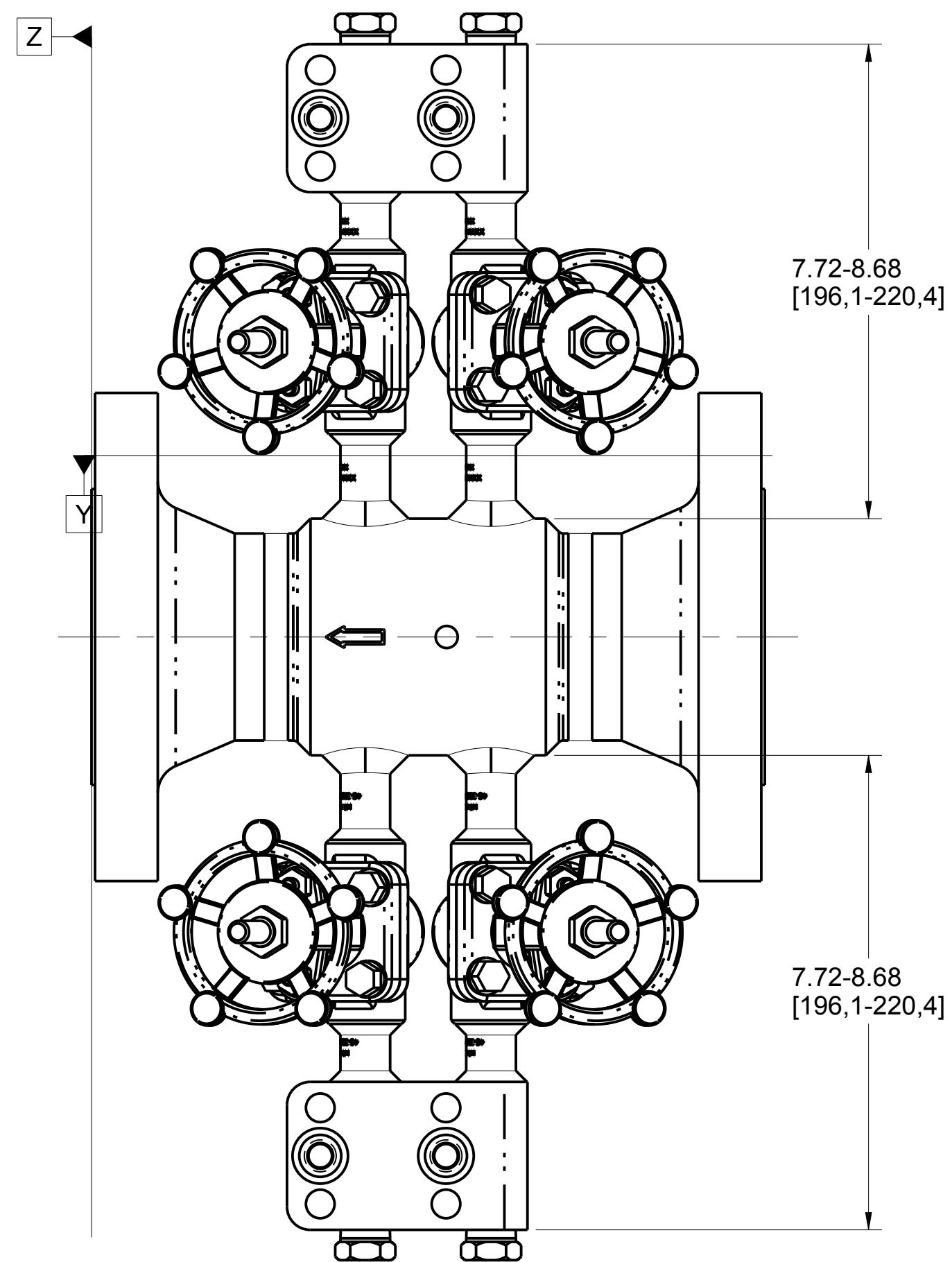
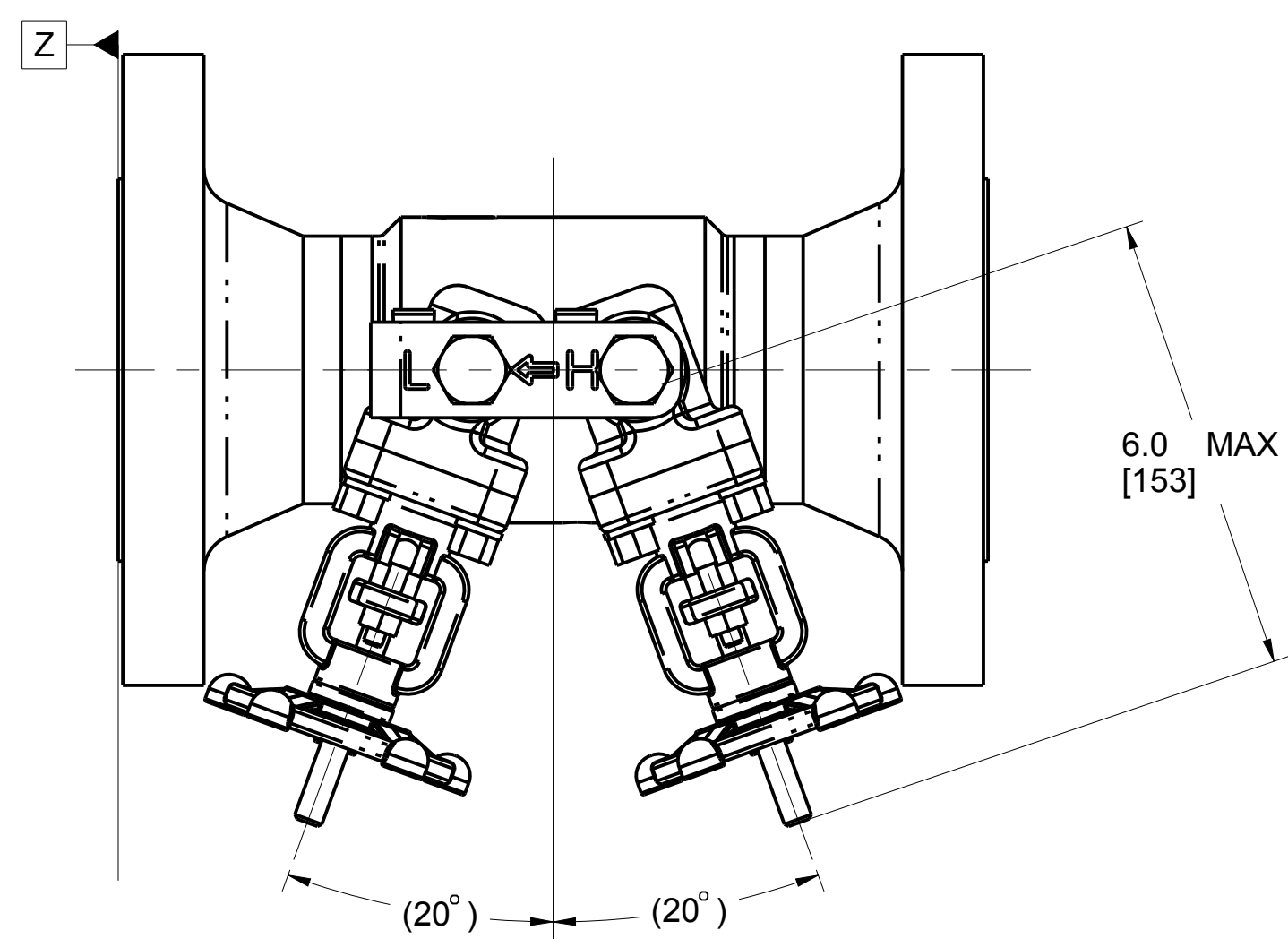


DIRECT MOUNT, SINGLE TAP NO VALVES, LEFT HANDED

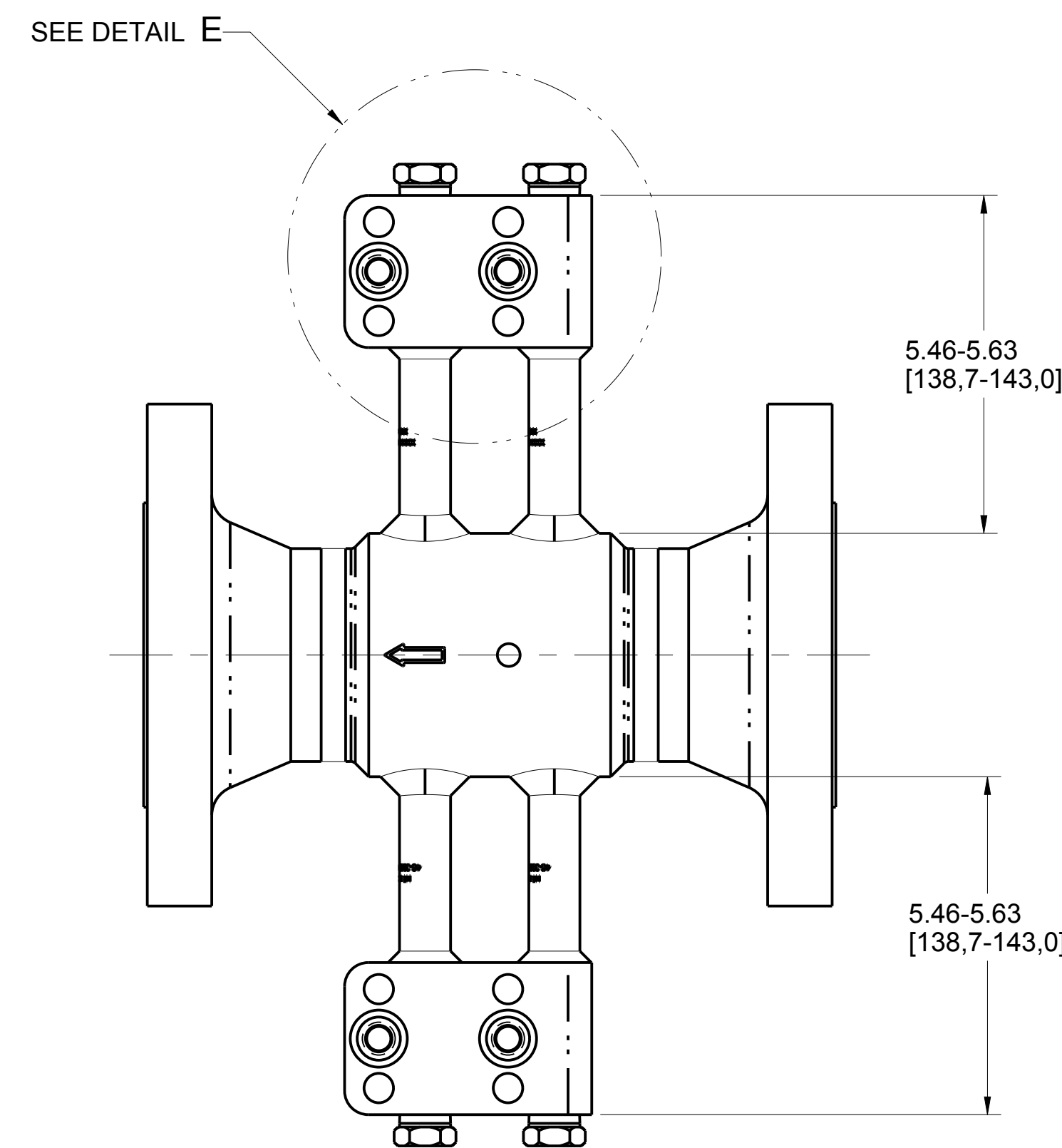
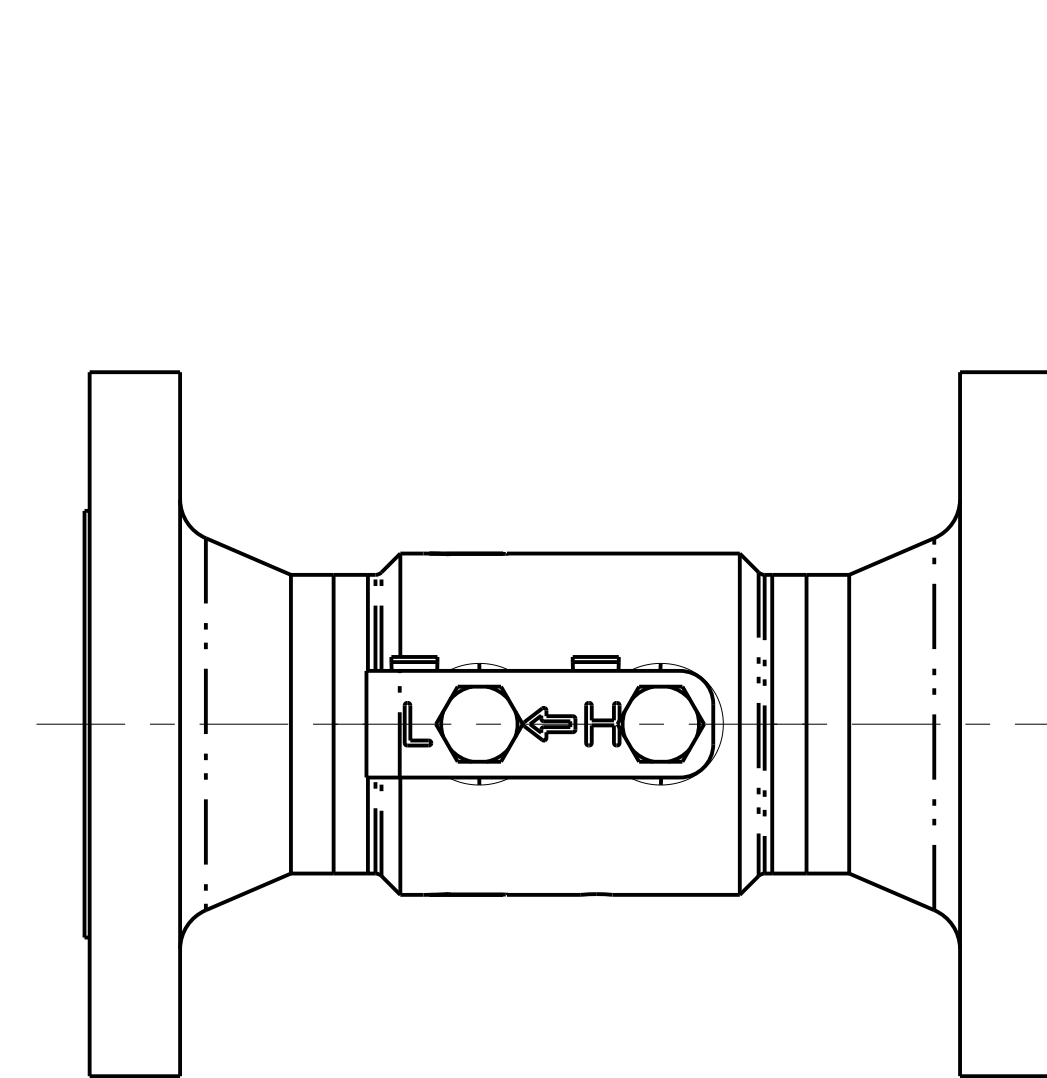
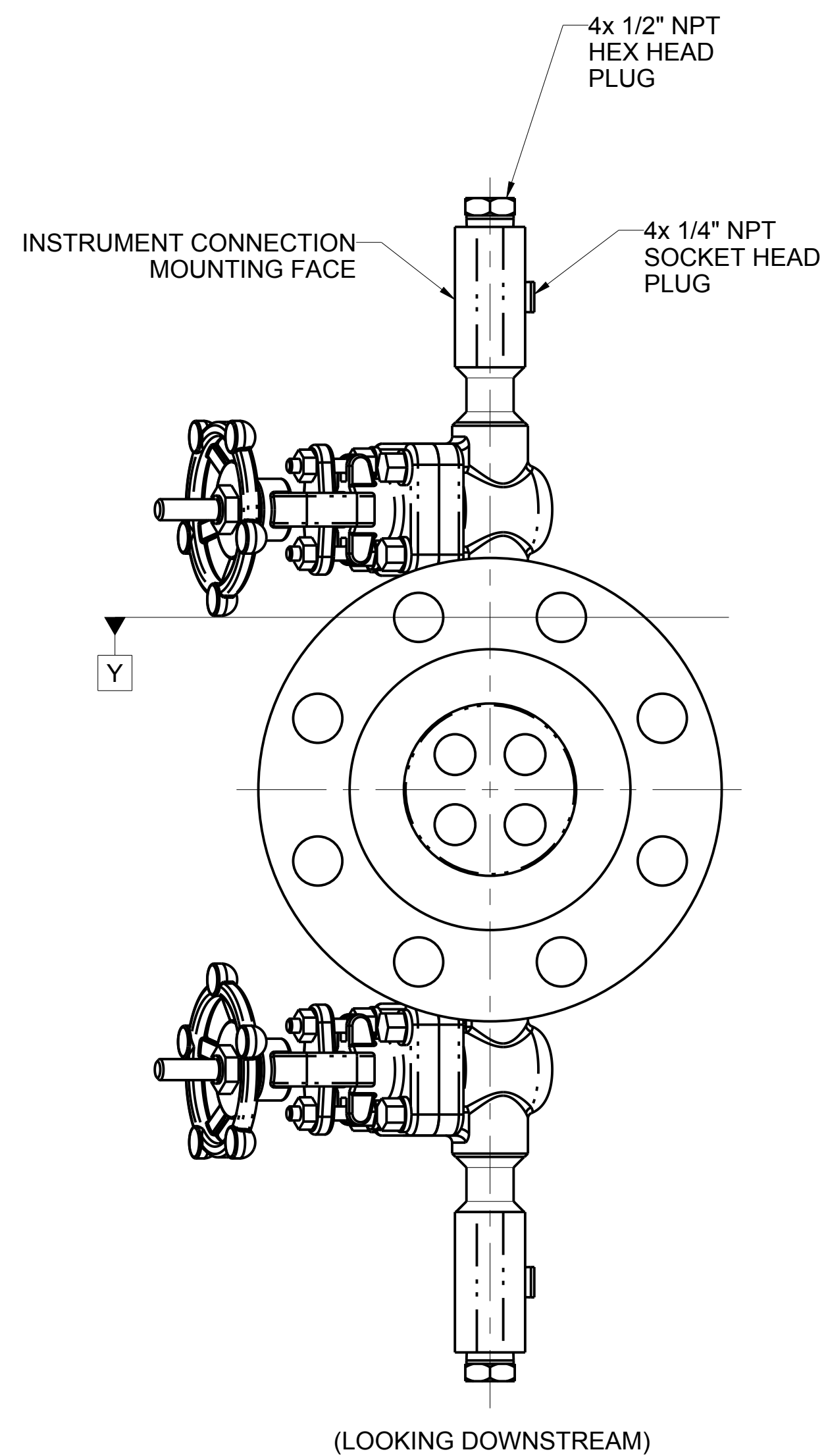


DIRECT MOUNT, SINGLE TAP NO VALVES, RIGHT HANDED

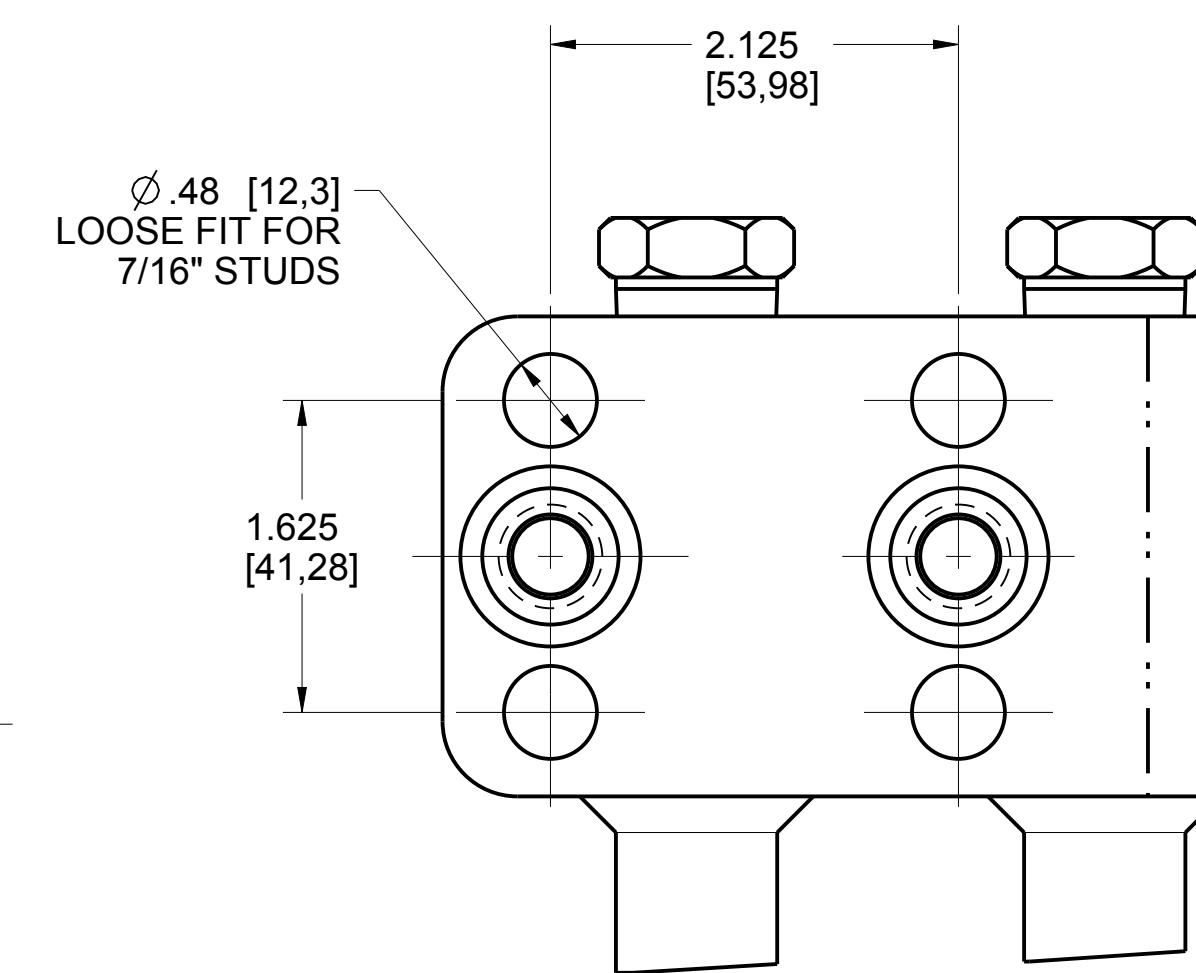
©2015 ROSEMOUNT INC. ROSEMOUNT INC. CERTIFIES THIS DRAWING TO BE IN ACCORDANCE WITH ROSEMOUNT ENGINEERING SPECIFICATIONS. UNIT NOTES IN INCHES (mm). REFERENCE ROSEMOUNT PRODUCT SPECIFICATIONS. CLICK HERE	3RD ANGLE	SIZE D	SCALE NTS
	TITLE ROSEMOUNT 9295 TYPE 1 DRAWING		
	DR. J. RUMSEY 05/17/18	DRAWING NO.	09295-1001
APP'D N. KEMYON 05/22/18			SHEET 4 OF 7
CAD MAINTAINED, (PROE)			



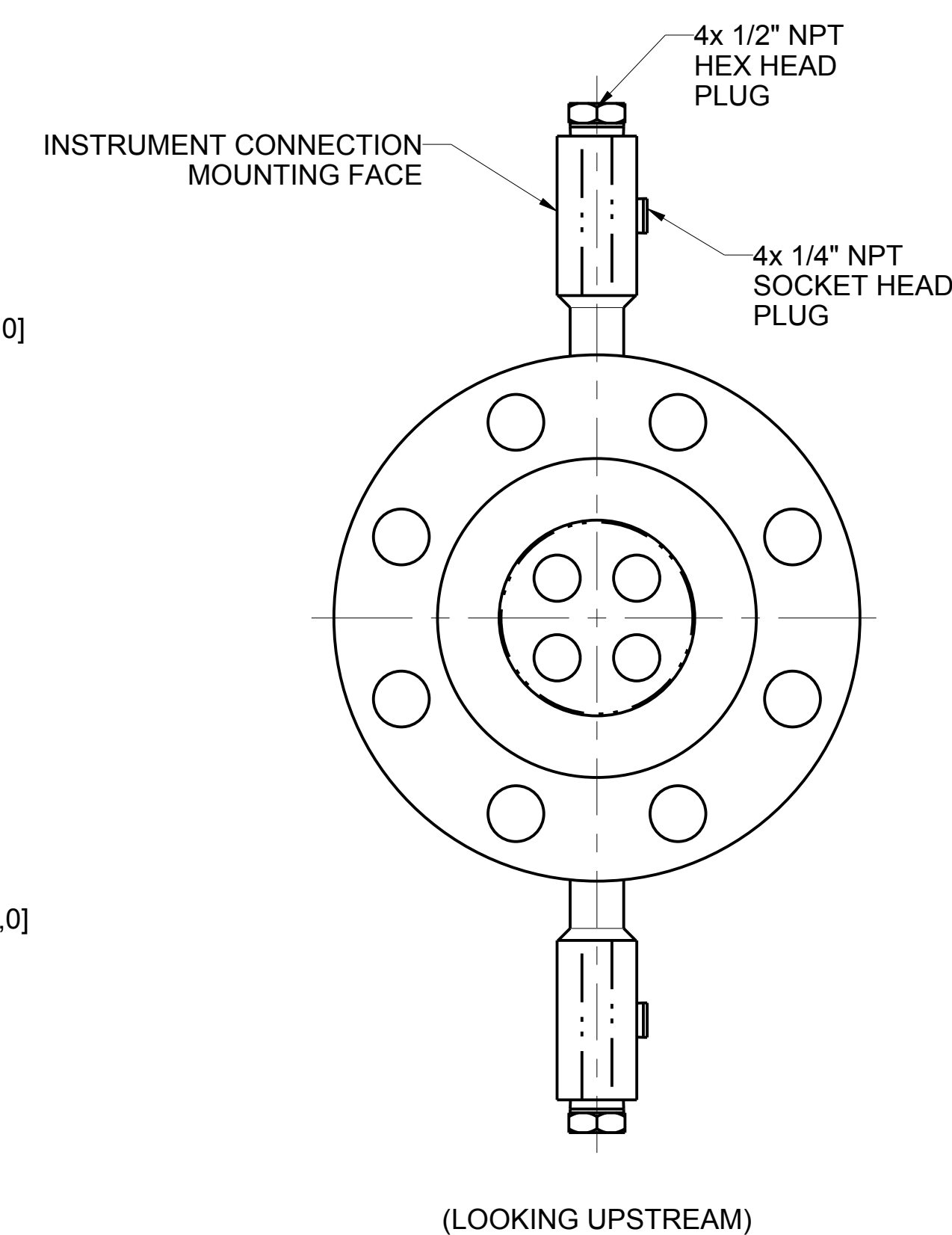
DIRECT MOUNT, REDUNDANT TAP WITH VALVES



DIRECT MOUNT, REDUNDANT TAP NO VALVES

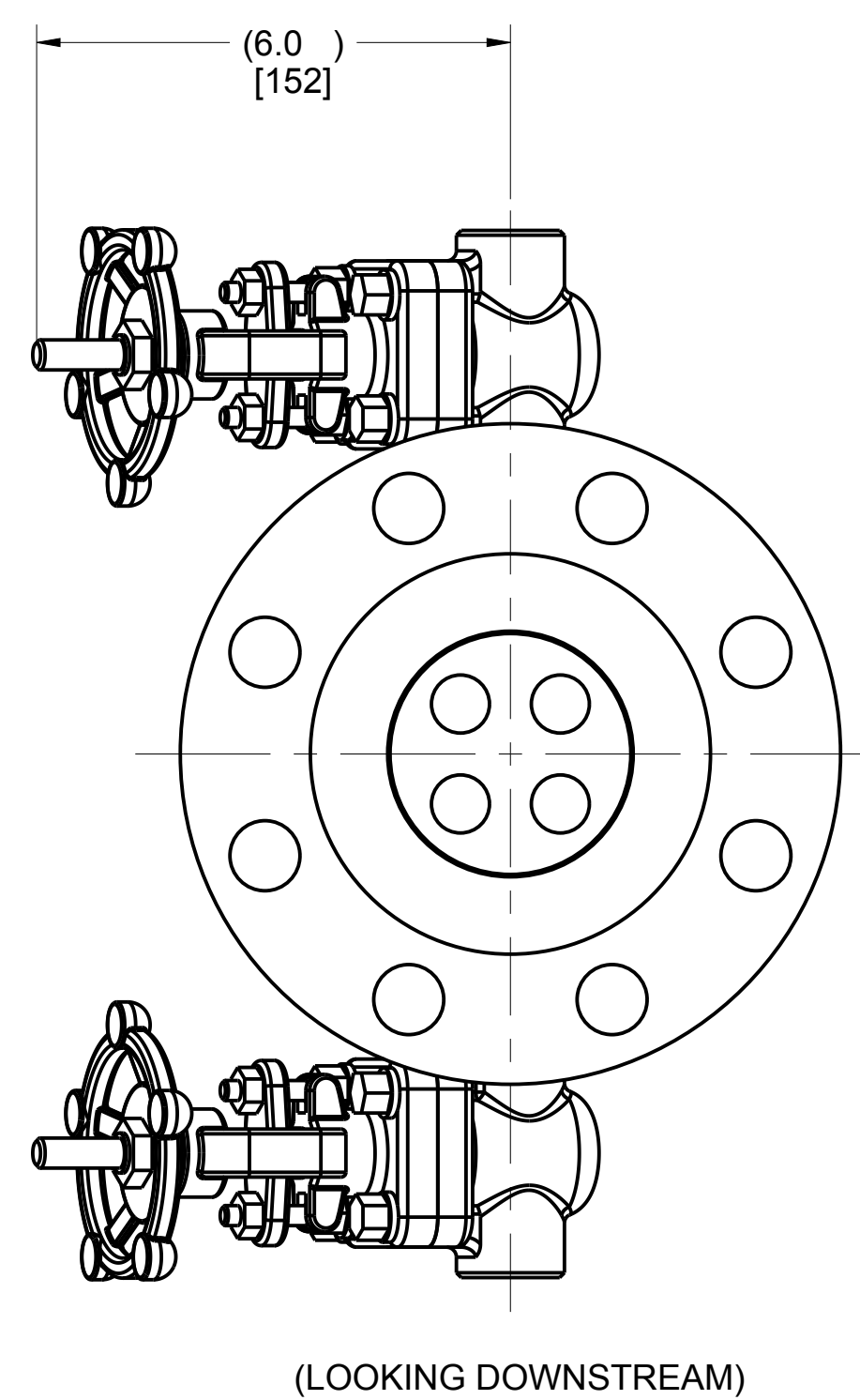
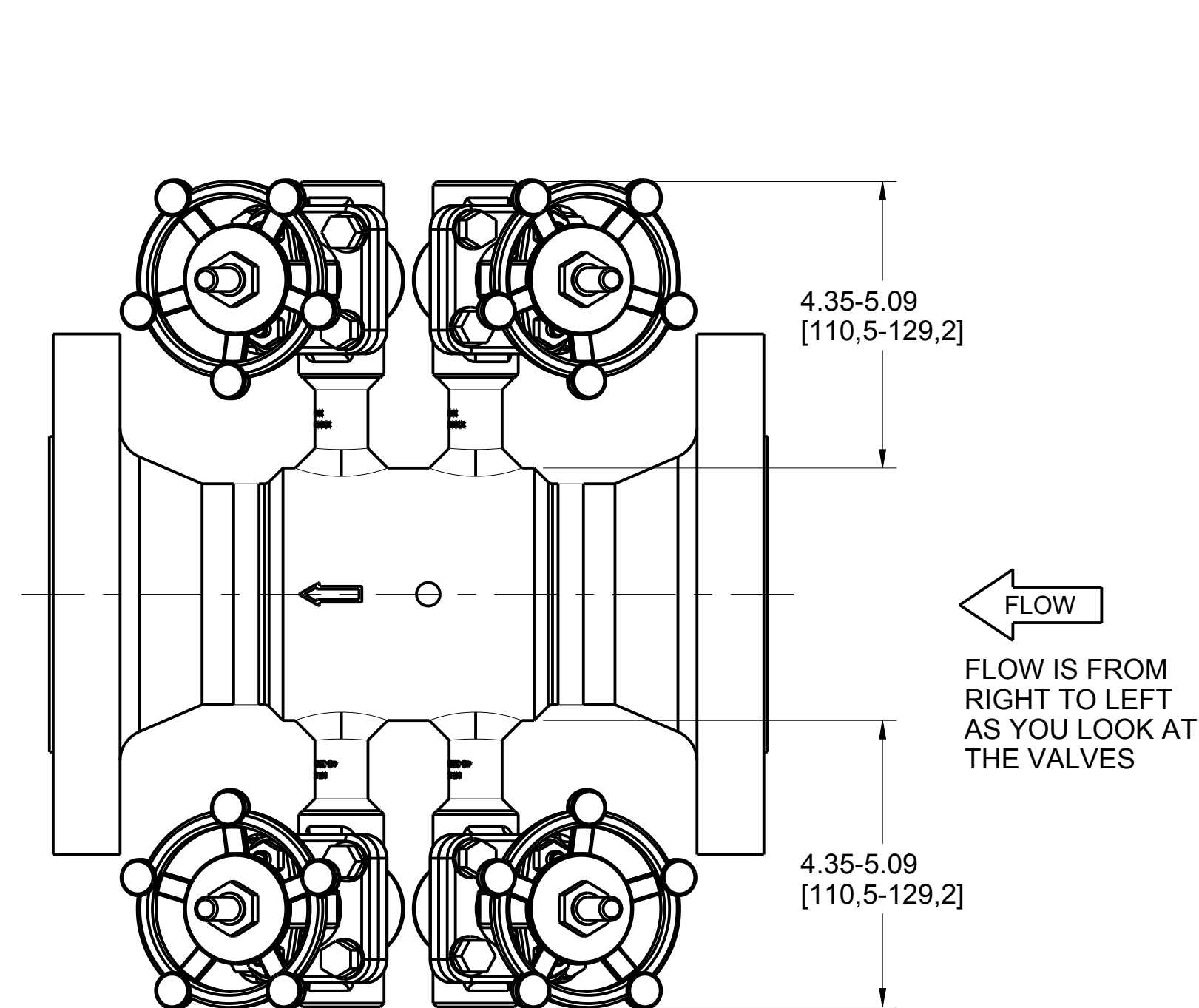
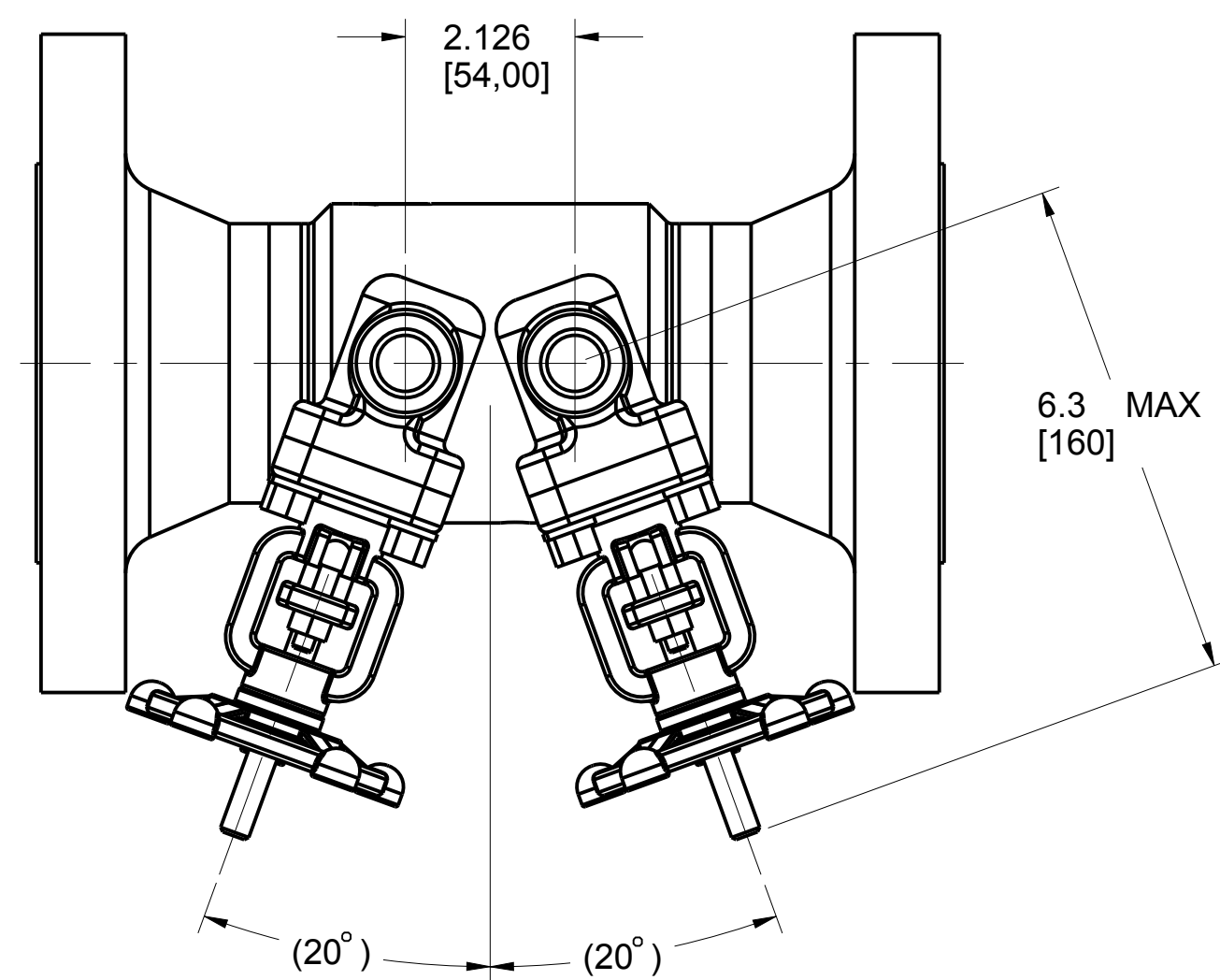


**DETAIL E
TYPICAL DIRECT MOUNT HEAD
SCALE 1/1**

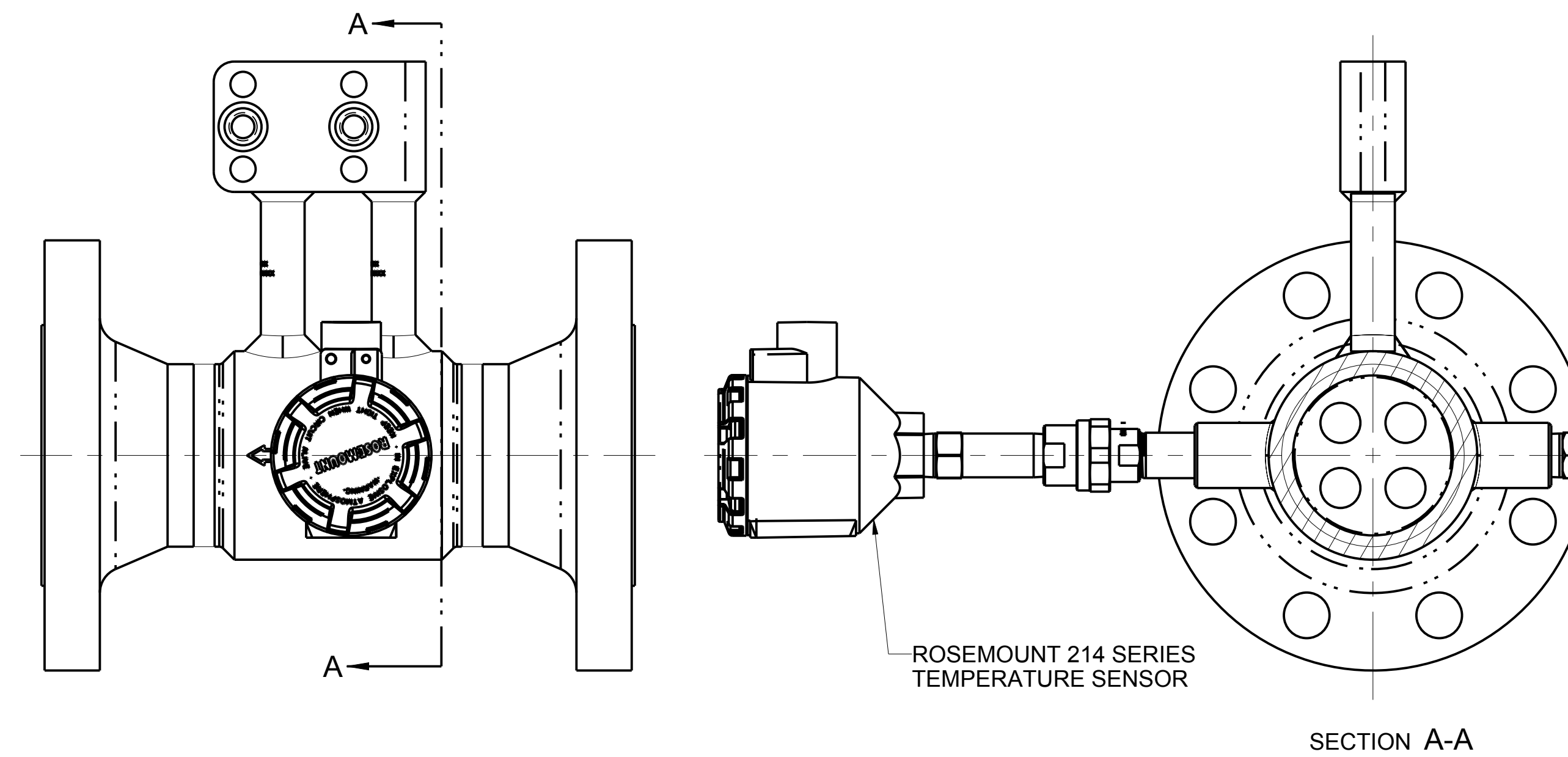
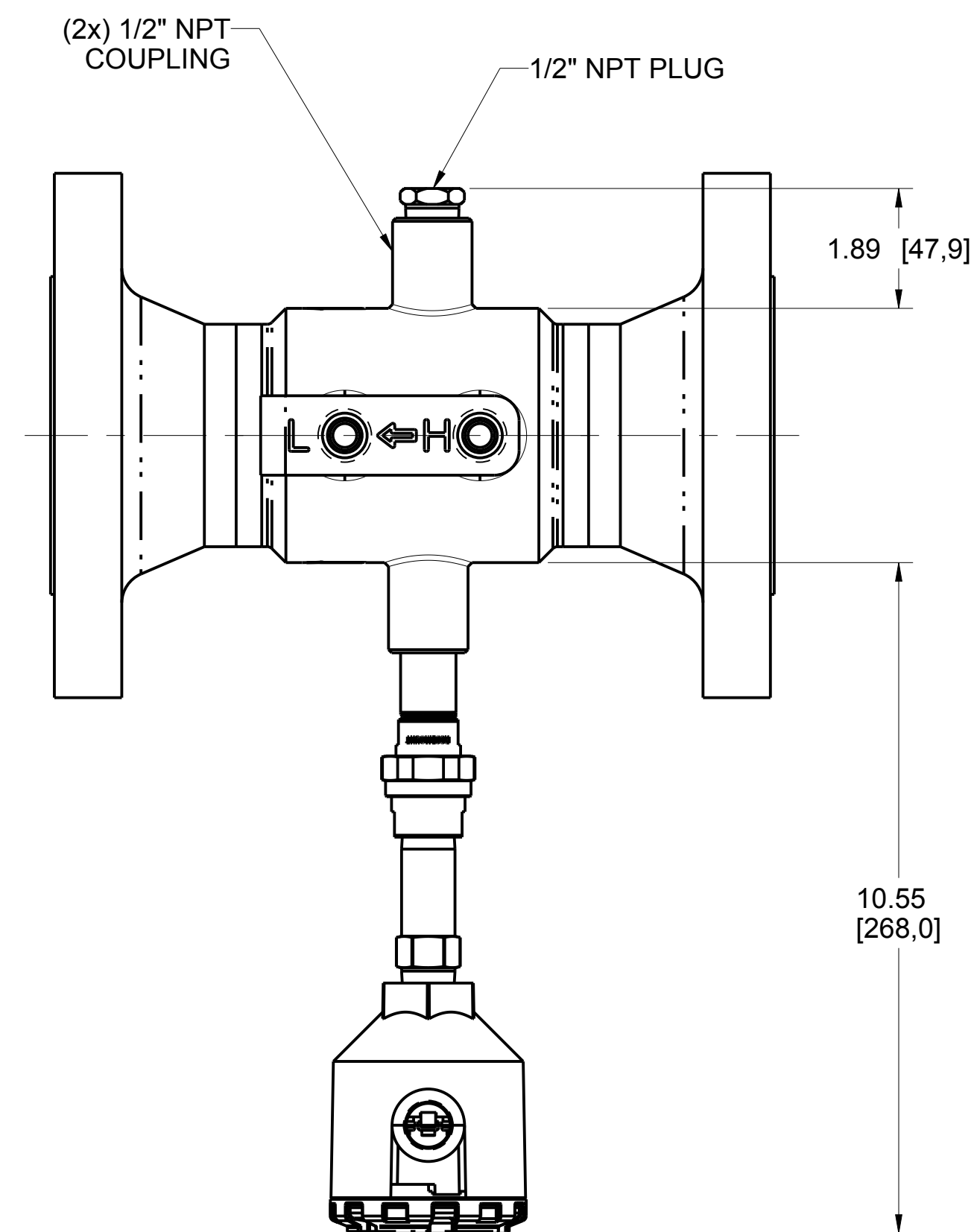


(LOOKING UPSTREAM)

©2015 ROSEMOUNT INC. ROSEMOUNT INC. CERTIFIES THIS DRAWING TO BE IN ACCORDANCE WITH ROSEMOUNT ENGINEERING SPECIFICATIONS. UNIT NOTES IN INCHES (mm). REFERENCE ROSEMOUNT PRODUCT SPECIFICATIONS. CLICK HERE	3RD ANGLE	SIZE D	SCALE NTS
	TITLE ROSEMOUNT 9295 TYPE 1 DRAWING		
	DR. J.RUMSEY 05/17/18 DRAWING NO.	09295-1001	
APP'D N.KEMYON 05/22/18			SHEET 5 OF 7
CAD MAINTAINED, (PROE)			



REMOTE MOUNT, REDUNDANT TAP WITH VALVES



OPTIONAL TEMPERATURE MEASUREMENT

©2015 ROSEMOUNT INC. ROSEMOUNT INC. CERTIFIES THIS DRAWING TO BE IN ACCORDANCE WITH ROSEMOUNT ENGINEERING SPECIFICATIONS. UNIT NOTES IN INCHES (mm). REFERENCE ROSEMOUNT PRODUCT SPECIFICATIONS. CLICK HERE	3RD ANGLE	SIZE D	SCALE NTS
	TITLE ROSEMOUNT 9295 TYPE 1 DRAWING		
	DR. J.RUMSEY 05/17/18 DRAWING NO.	09295-1001	
APP'D N.KEMYON 05/22/18	CAD MAINTAINED, (PROE) SHEET 6 OF 7		

1 2 3 4 5 6 7 8 9 10 11 12 13 14 15 16

A

B

C

D

E

F

G

H

J

K

L

M

A

B

C

D

E

F

G

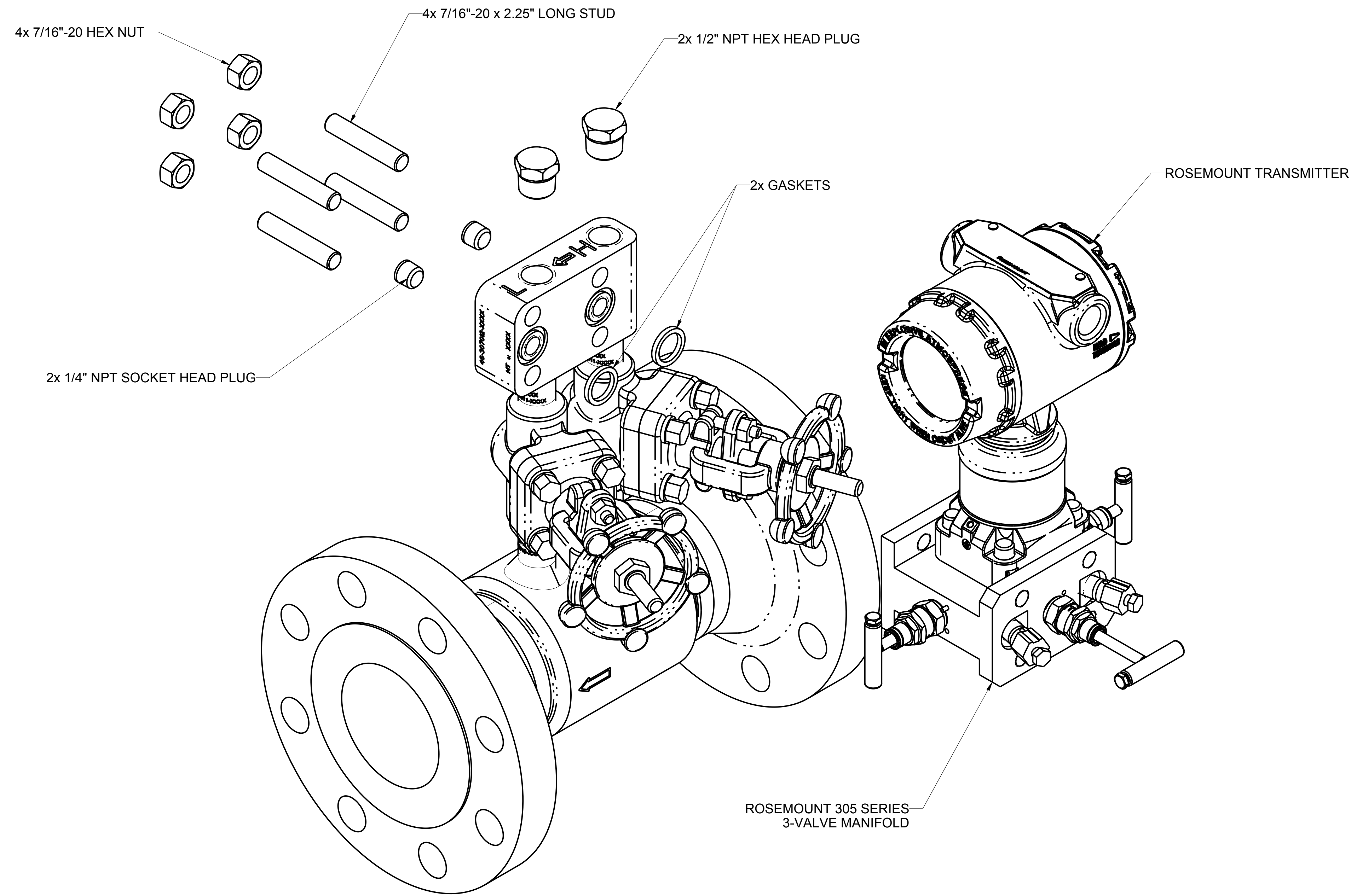
H

J

K

L

M



©2015 ROSEMOUNT INC.
 ROSEMOUNT INC. CERTIFIES
 THIS DRAWING IS MADE
 IN ACCORDANCE WITH
 ROSEMOUNT ENGINEERING
 SPECIFICATIONS.
 UNIT NOTES IN INCHES (mm).
 REFERENCE ROSEMOUNT
 PRODUCT SPECIFICATIONS.
 CLICK HERE

3RD ANGLE

EMERSON

TITLE
**ROSEMOUNT 9295
 TYPE 1 DRAWING**

DR.	J.RUMSEY	05/17/18	DRAWING NO.	
APP'D	N.KEMYON	05/22/18		09295-1001
CAD MAINTAINED, (PROE)				SHEET 7 OF 7