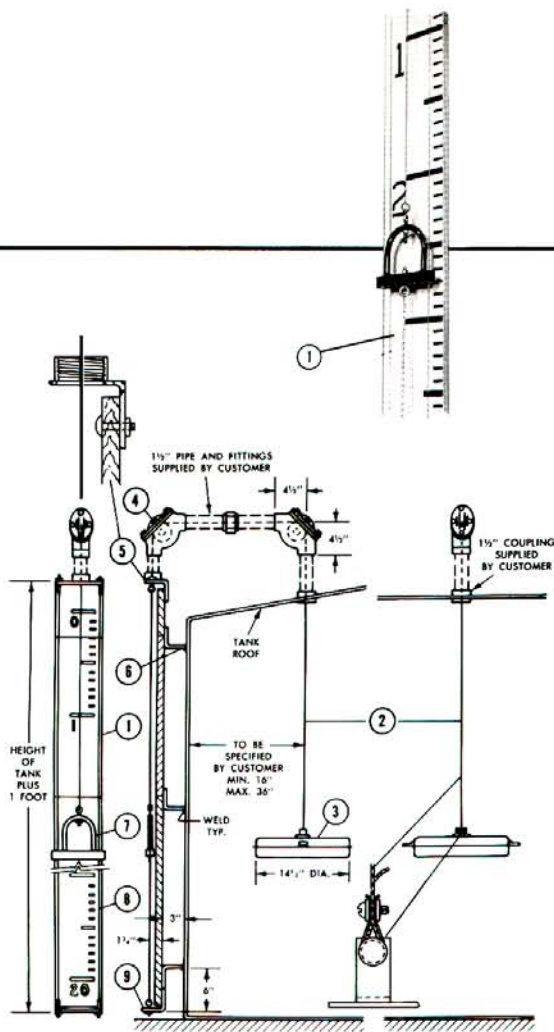


Liquid Level Indicators

PROTECTOSEAL SERIES No. 40000

TARGET INDICATOR WITH UNGUIDED FLOAT

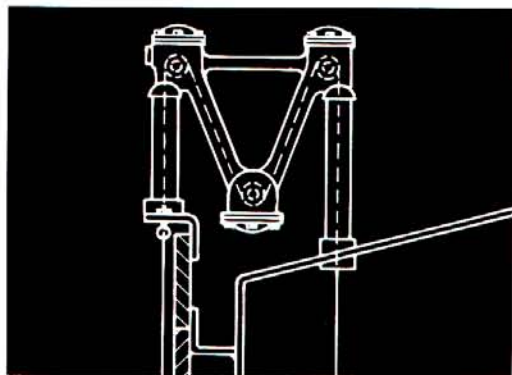


CAT. NO. 40000 AND 40000A
CONE OR FLAT ROOF TANK (UNGUIDED FLOAT)

Liquid Seal

Where it is necessary to store solvents under slight pressures, a liquid seal can be installed as shown in the Figure below. Using a liquid seal will also retain the flammable or toxic vapors within the tank and prevent excess vapor loss.

Standard liquid seals are made of aluminum with 18/8 sheaves and Teflon bearings and are designed for 8 1/2" W.C. pressure or vacuum.



Protectoseal Series No. 40000 Liquid Level Indicators are used for accurate liquid level gaging of fixed or floating roof tanks storing oil, water, solvents and other products. The units are designed and constructed to permit simple, easy installation on "tanks-in-service" or "tanks-out-of-service", and to provide a maximum of trouble-free service. This particular type Indicator is especially recommended for applications requiring a low cost, low maintenance method for liquid level gaging.

The Indicators are float-actuated, and have a steel target that runs vertically up and down a calibrated board to register the tank contents. The board is mounted outside of the tank and has bold, legible markings to permit quick, convenient readings.

Features of Construction

The sturdy design and stainless steel construction of the float is resistant to the corrosive effects of petroleum products and assures a long, dependable use. The float cable used to secure the float to the Target Indicator is also stainless steel.

Indicator target guide wires are galvanized steel. The target assembly is constructed of steel, and furnished together with all of the other items listed above as standard equipment.

A gageboard is supplied only when specified. The Protectoseal gageboard is constructed of aluminum and has bold, legible markings in inches and feet with easy-to-read numerals every foot. Stainless steel gageboards are also available on special order. When Protectoseal gageboards are specified, all brackets and fittings, necessary for mounting and installation are included with instructions for installing.

Limit switches are available upon request.

ITEM	PART NO.	DESCRIPTION	MATERIAL	REQ.
1	41000-320	Board	Aluminum	*
2	41000-190	Cable, Float	Stainless Steel, Type 316	*
3	41000-225	Float Assembly	Stainless Steel, Type 316	1
4	42000-275	Sheave Assembly	Aluminum Housing, 18/8 Wheel, Teflon Bearing	2
5	41000-155	Top Board Connector	Steel	1
6	41000-135	Board Bracket	Steel	*
7	41000-185	Indicator Assembly	Steel	1
8	41000-120	Guide Wire, Indicator	Steel Galvanized	*
9	41000-145	Bottom Bracket Assembly	Steel	1

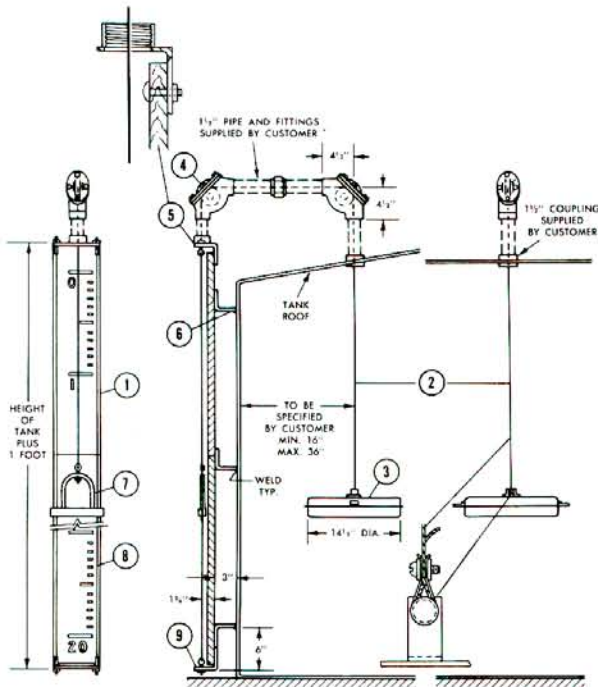
*Depends upon tank height

40000 includes items 1-9

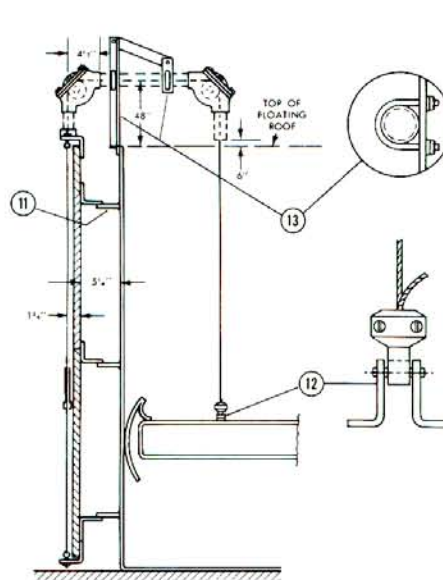
40000A includes items 2, 3, 4, 5, 7, 8 and 9

Various Applications of Liquid Level Indicators

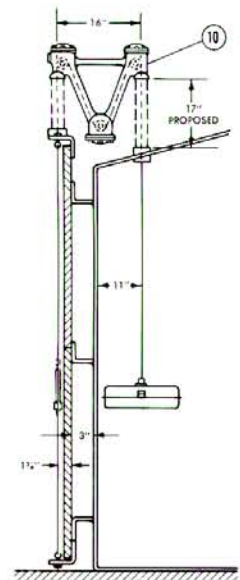
PROTECTOSEAL SERIES No. 40000



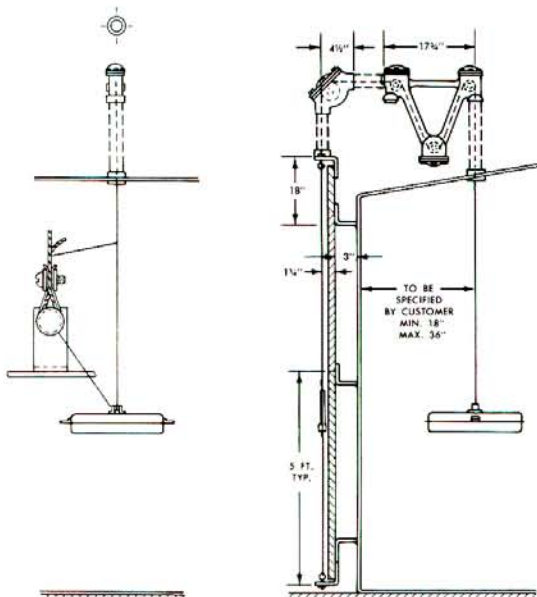
CAT. NO. 40000 AND 40000A
CONE OR FLAT ROOF TANK (UNGUIDED FLOAT)



CAT. NO. 40100
FLOATING ROOF TANK
(WITHOUT FLOAT WELL)



CAT. NO. 40200 AND 40200A
CONE OR FLAT ROOF TANK
WITH LIQUID SEAL
(UNGUIDED FLOAT)



CAT. NO. 40500 AND 40500A
CONE OR FLAT ROOF TANK
WITH LIQUID SEAL
(UNGUIDED FLOAT)

ITEM	PART NO.	DESCRIPTION	MATERIAL	REQUIRED			
				40000	40100	40200	40500
1	41000-320	Board	Aluminum	*	*	*	*
2	41000-190	Cable, Float	Stainless Steel, Type 316	*	*	*	*
3	41000-225	Float Assembly	Stainless Steel, Type 316	1	—	1	1
4	42000-275	Sheave Assembly	Aluminum Housing, 1 8/8 Wheel, Teflon Bearing	2	2	—	1
5	41000-155	Top Board Connector	Steel	1	1	1	1
6	41000-135	Board Bracket	Steel	*	*	*	*
7	41000-185	Indicator Assembly	Steel	1	1	1	1
8	41000-120	Guide Wire, Indicator	Steel Galvanized	*	*	*	*
9	41000-145	Bottom Bracket Assembly	Steel	1	1	1	1
10	41200-175	Liquid Seal Assembly	Aluminum Housing, 1 8/8 Wheel, Teflon Bearings	—	—	1	1
11	43000-165	Tank Bracket	Steel	—	*	—	—
12	41000-230	Cable	Stainless Steel, Type 316	—	1	—	—
13	43000-150	Attachment Pipe Bracket	Steel	—	1	—	—

*Depends upon tank height
40000 includes items 1-9
40000A includes items 2, 3, 4, 5, 7, 8 and 9
The Protectoseal Company