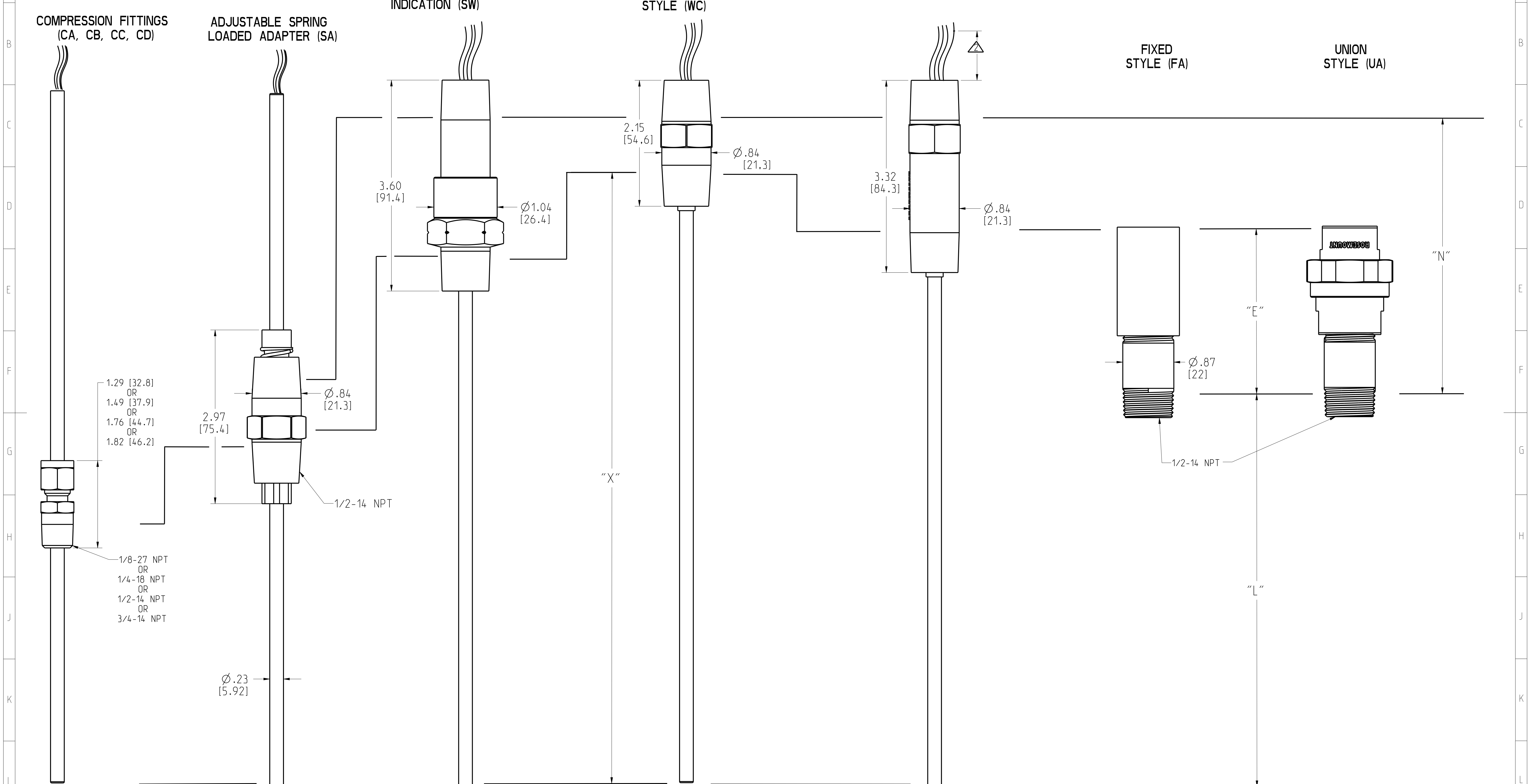


ROSEMOUNT 214C ADAPTER/FITTING MOUNTING STYLES AND EXTENSIONS

REVISION TABLE			
REVISION	ECO NO.	APP'D	DATE
AF	RTC1074836	J. ALLERDINGS	2/28/20
DESCRIPTION			
ADD LEAD WIRE EXTENSIONS			



SCALE 5/4

STANDARD LEAD WIRES ARE 8". LEAD WIRES LONGER THAN 8" ARE DESCRIBED ON PAGE 2

- 1. .75 [19] CLEARANCE REQUIRED TO REMOVE COVERS.

NOTES:

SENSORS

EQUATIONS
 WITH EXTENSION
 $X = E + L$
 WITHOUT EXTENSION
 $X = L$
 N=ADAPTER LENGTH + E

EXTENSIONS

©2015 ROSEMOUNT, INC. ALL RIGHTS RESERVED. THIS DRAWING IS THE PROPERTY OF ROSEMOUNT, INC. AND IS TO BE USED ONLY FOR THE SPECIFIC PROJECT AND PRODUCT SPECIFICATIONS. UNIT NOTES IN INCHES (mm).

3RD ANGLE SIZE D SCALE 5/4

EMERSON

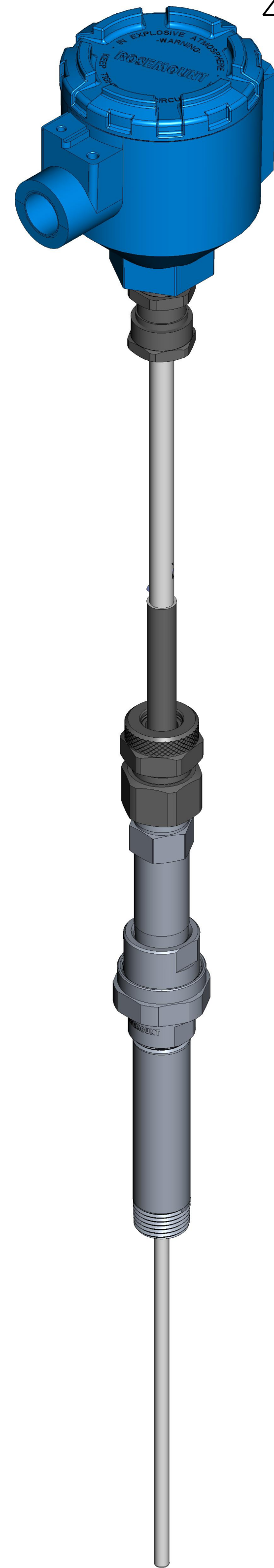
TITLE
ROSEMOUNT 214C TYPE I DRAWING

DR. J. ARMSTRONG 6/25/15 DRAWING NO. 00214-7000
 APP'D O. GHAZI 12/02/15

CAD MAINTAINED (PRO/E) SHEET 1 OF 6

ROSEMOUNT 214C LEAD WIRE EXTENSIONS

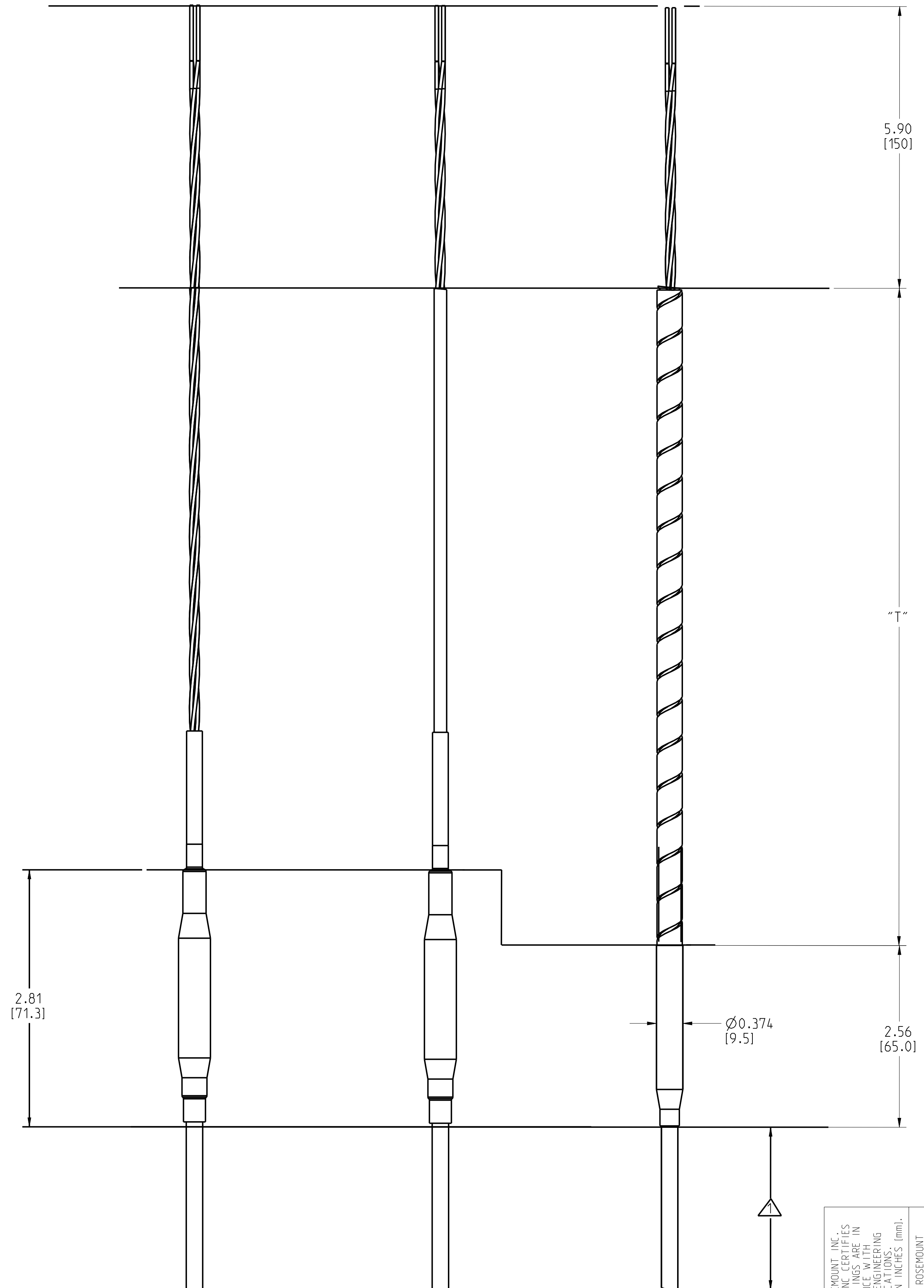
LEAD WIRE EXTENSION ASSEMBLY



TWISTED LEAD WIRE EXTENSION (LA)

SHIELDED, PTFE WRAPPED CABLE LEAD WIRE EXTENSION (LB) W/ DRAIN WIRE (DW)

ARMORED CABLE (AN), PVC COATED
ARMORED CABLE (AC), PTFE COATED ARMORED CABLE (AP)



LEAD WIRE EXTENSIONS

⚠ DRAIN WIRE LENGTH IS 5.9"

⚠ LEAD WIRE EXTENSION SHOWN IS AN ASSEMBLY EXAMPLE AND ACTUAL ASSEMBLY WILL VARY BASED ON SPECIFIC CONFIGURATIONS

⚠ SENSOR MOUNTING STYLES AND EXTENSIONS APPLY AS SHOWN ON PAGE 1

©2015 ROSEMOUNT, INC.
ALL RIGHTS RESERVED.
ROSEMOUNT, INC. AND ALL OTHERS
IN THIS DRAWING ARE TRADEMARKS OF
ROSEMOUNT ENGINEERING.
SPECIFICATIONS.
UNIT NOTES IN INCHES (mm).
REFERENCE ROSEMOUNT FOR
PRODUCT SPECIFICATIONS.
CLICK HERE

		3RD ANGLE		SIZE D	SCALE NTS
TITLE ROSEMOUNT 214C TYPE I DRAWING					
DR. J. ARMSTRONG	6/25/15	DRAWING NO.		00214-7000	
APP'D O. GHAZI	12/02/15				
CAD MAINTAINED (PRO/EI)				SHEET 2 OF 6	

ROSEMOUNT 214C DIN PLATES AND EXTENSIONS

CONNECTION HEAD

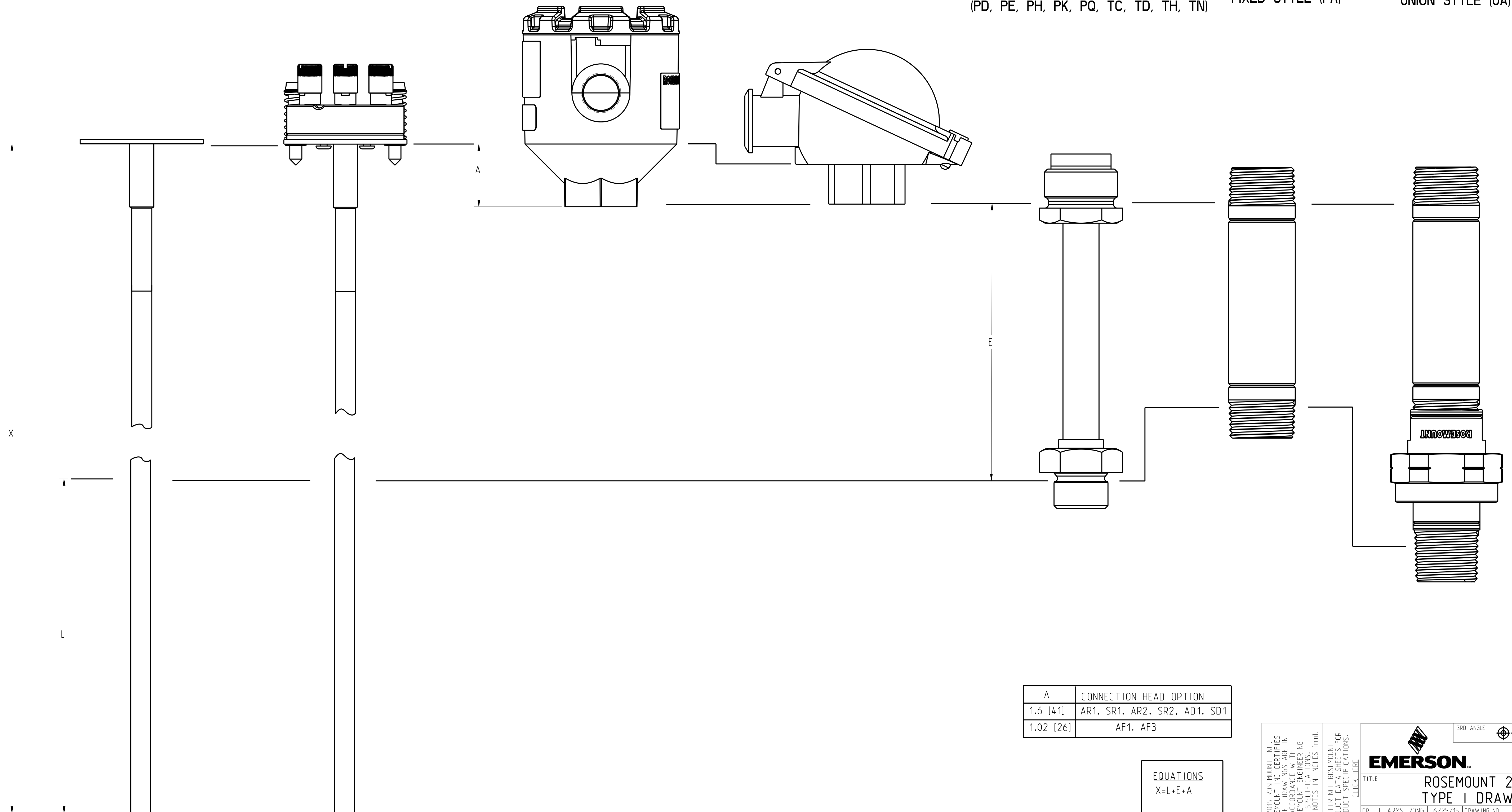
DIN STYLE FLYING LEADS (DF)

DIN STYLE TERMINAL BLOCK (DT)

DIN STYLE EXTENSION
(PD, PE, PH, PK, PQ, TC, TD, TH, TN)

FIXED STYLE (FA)

UNION STYLE (UA)



A	CONNECTION HEAD OPTION
1.6 [41]	AR1, SR1, AR2, SR2, AD1, SD1
1.02 [26]	AF1, AF3

EQUATIONS
 $X=L+E+A$

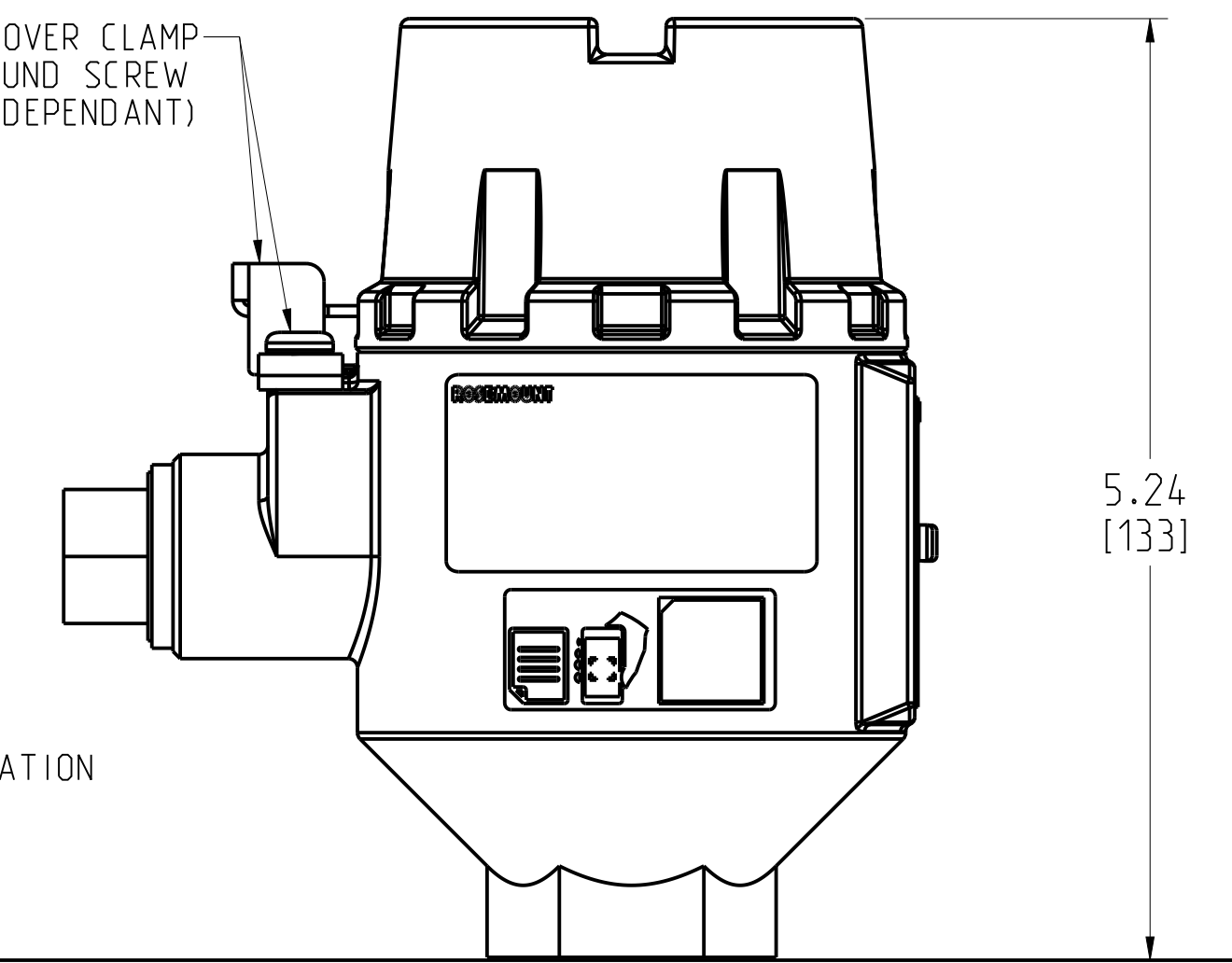
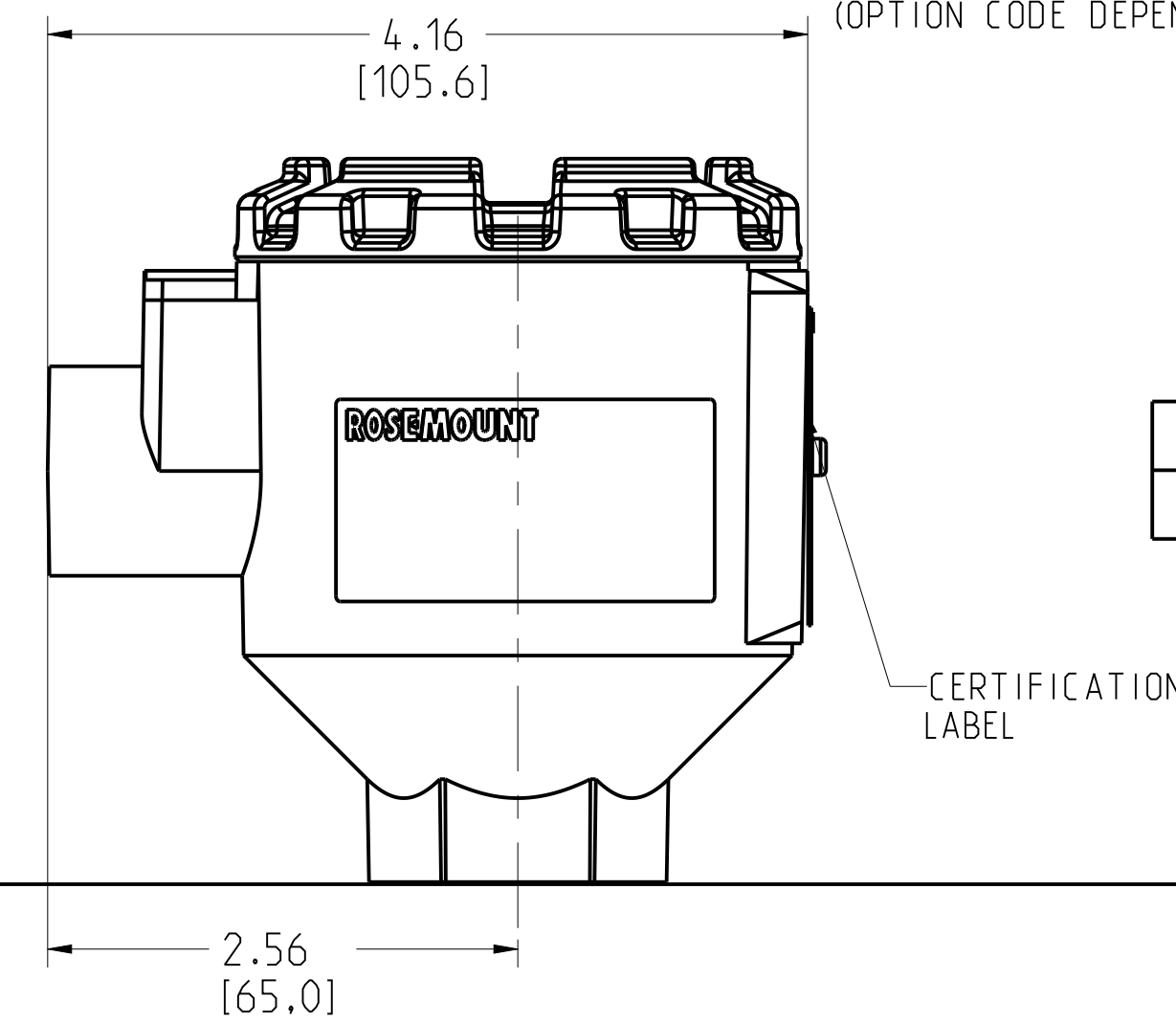
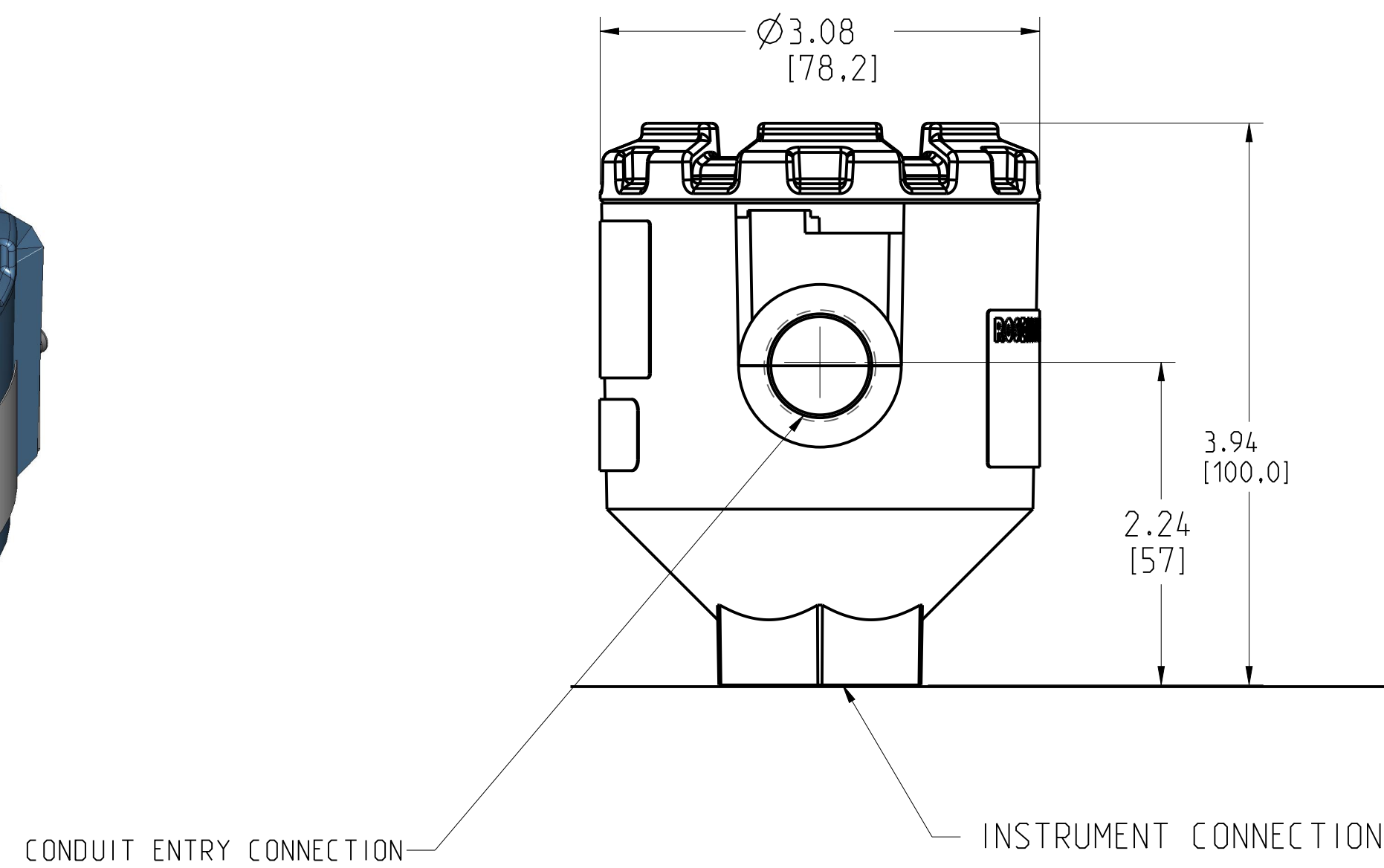
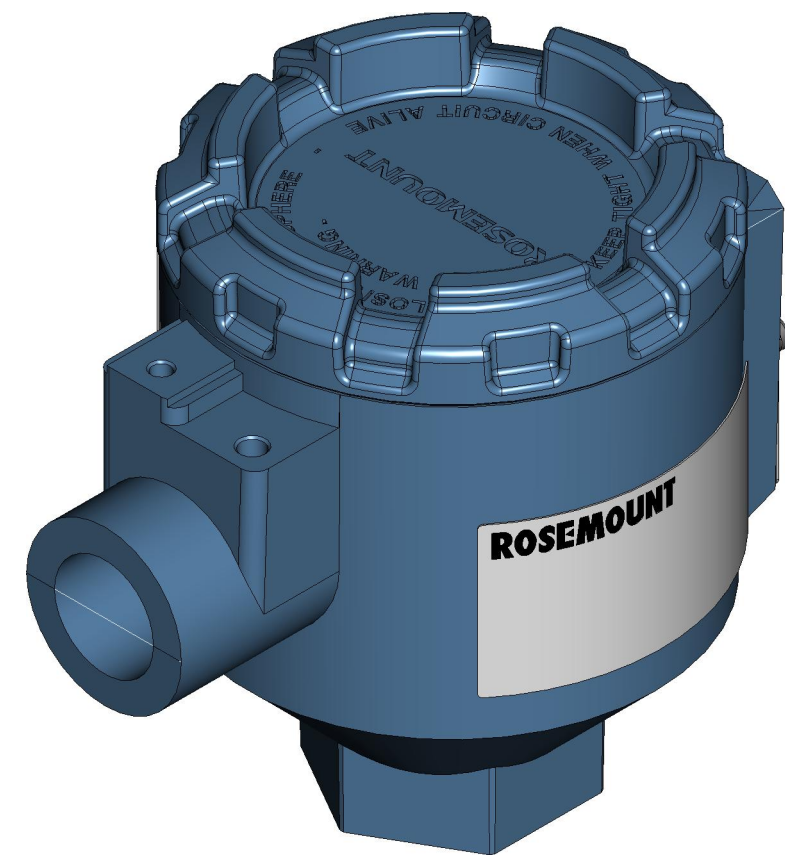
©2015 ROSEMOUNT, INC.
ROSEMOUNT INC. CLAIMS
THESE DRAWINGS ARE MADE IN
ACCORDANCE WITH
ROSEMOUNT ENGINEERING
SPECIFICATIONS.
UNIT NOTES IN INCHES (mm).
REFERENCE ROSEMOUNT
PRODUCT SPECIFICATIONS FOR
PRODUCT SPECIFICATIONS.
CLICK HERE

		3RD ANGLE		SIZE	SCALE
		D	NTS		
TITLE ROSEMOUNT 214C TYPE I DRAWING					
DR. J. ARMSTRONG	6/25/15	DRAWING NO.		00214-7000	
APP'D O. GHAZI	12/02/15				
CAD MAINTAINED (PRO/E)				SHEET 3 OF 6	

ROSEMOUNT 214C SENSOR CONNECTION HEADS

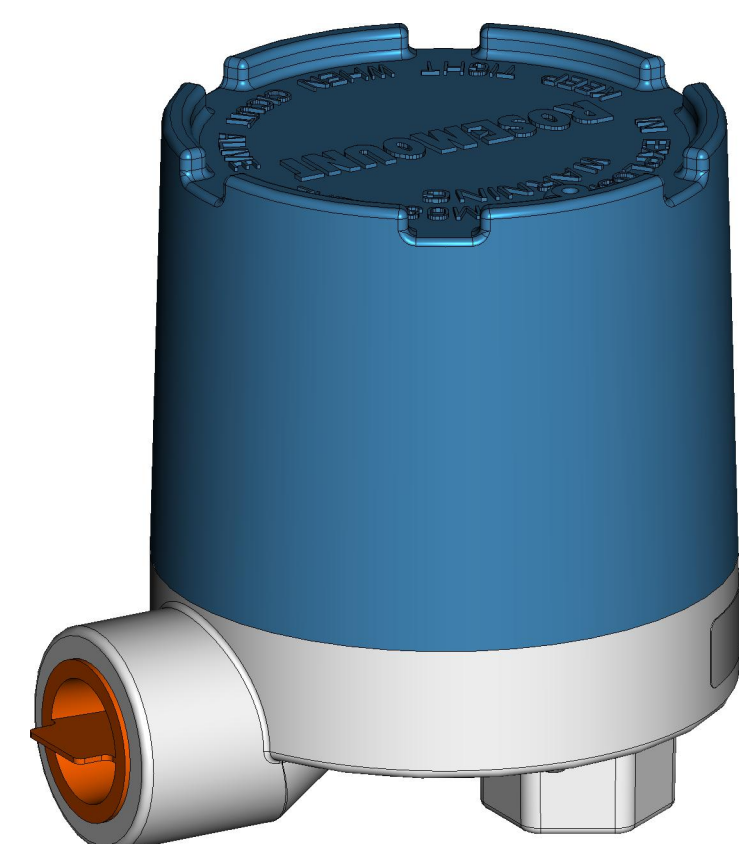
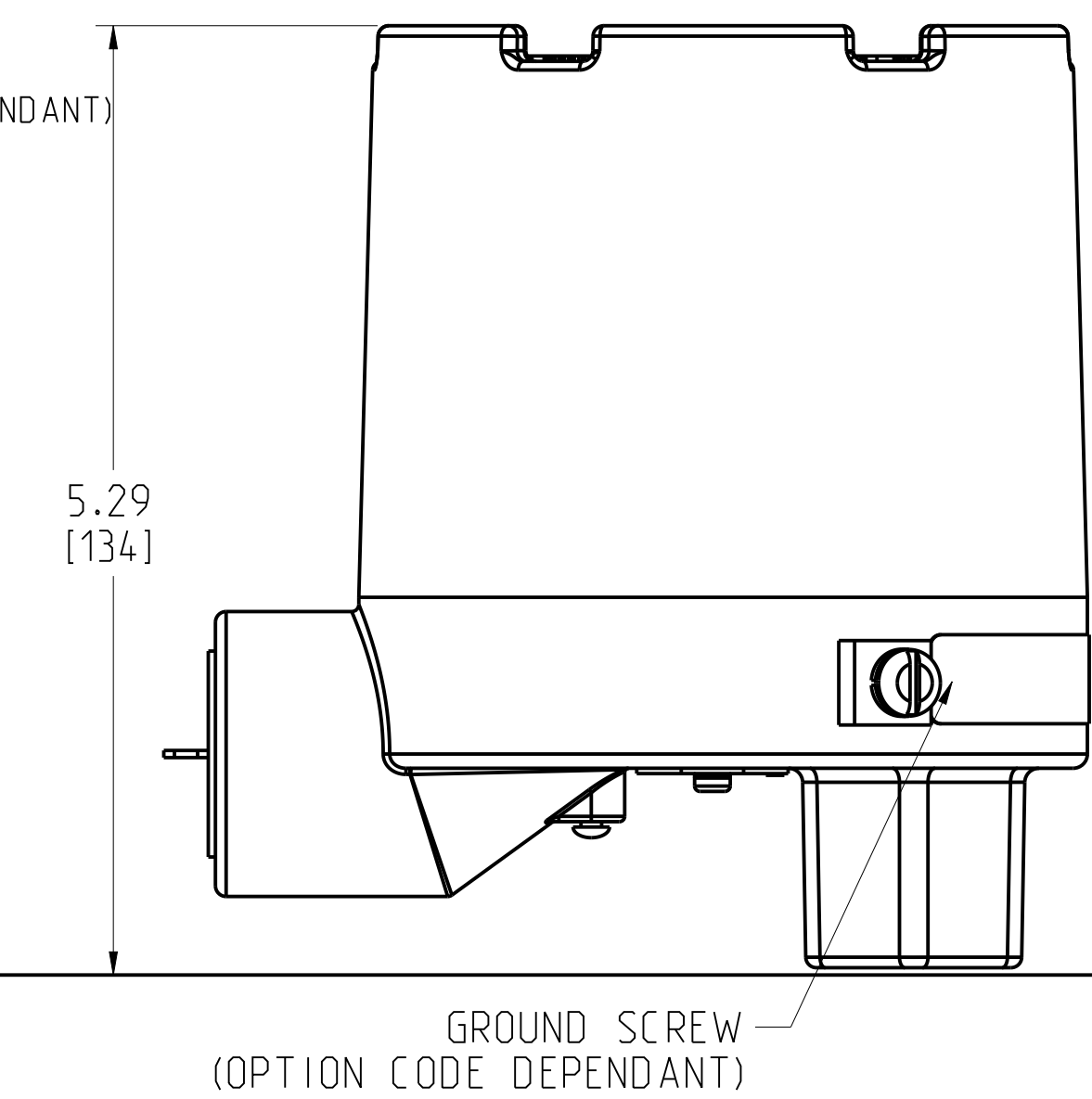
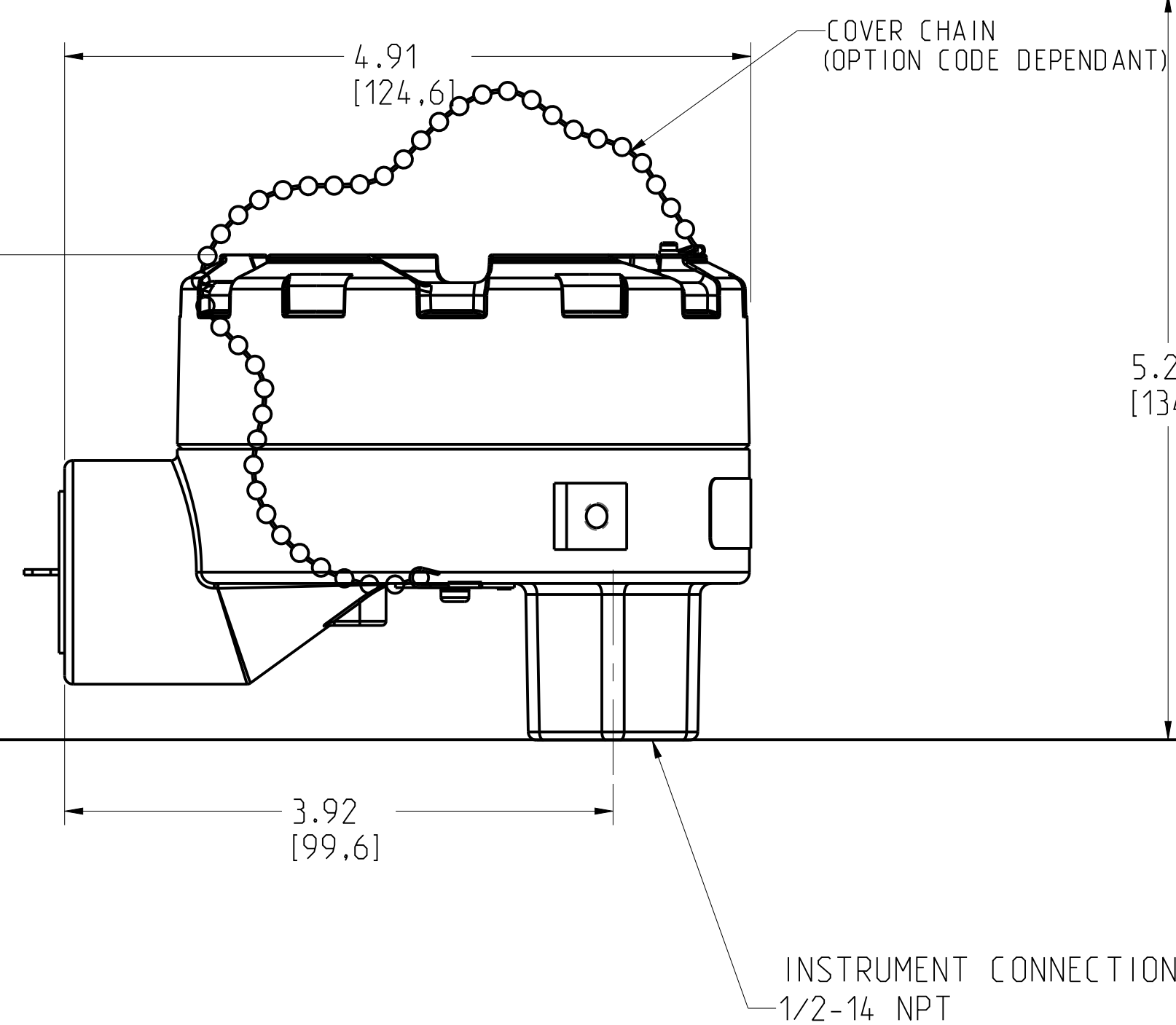
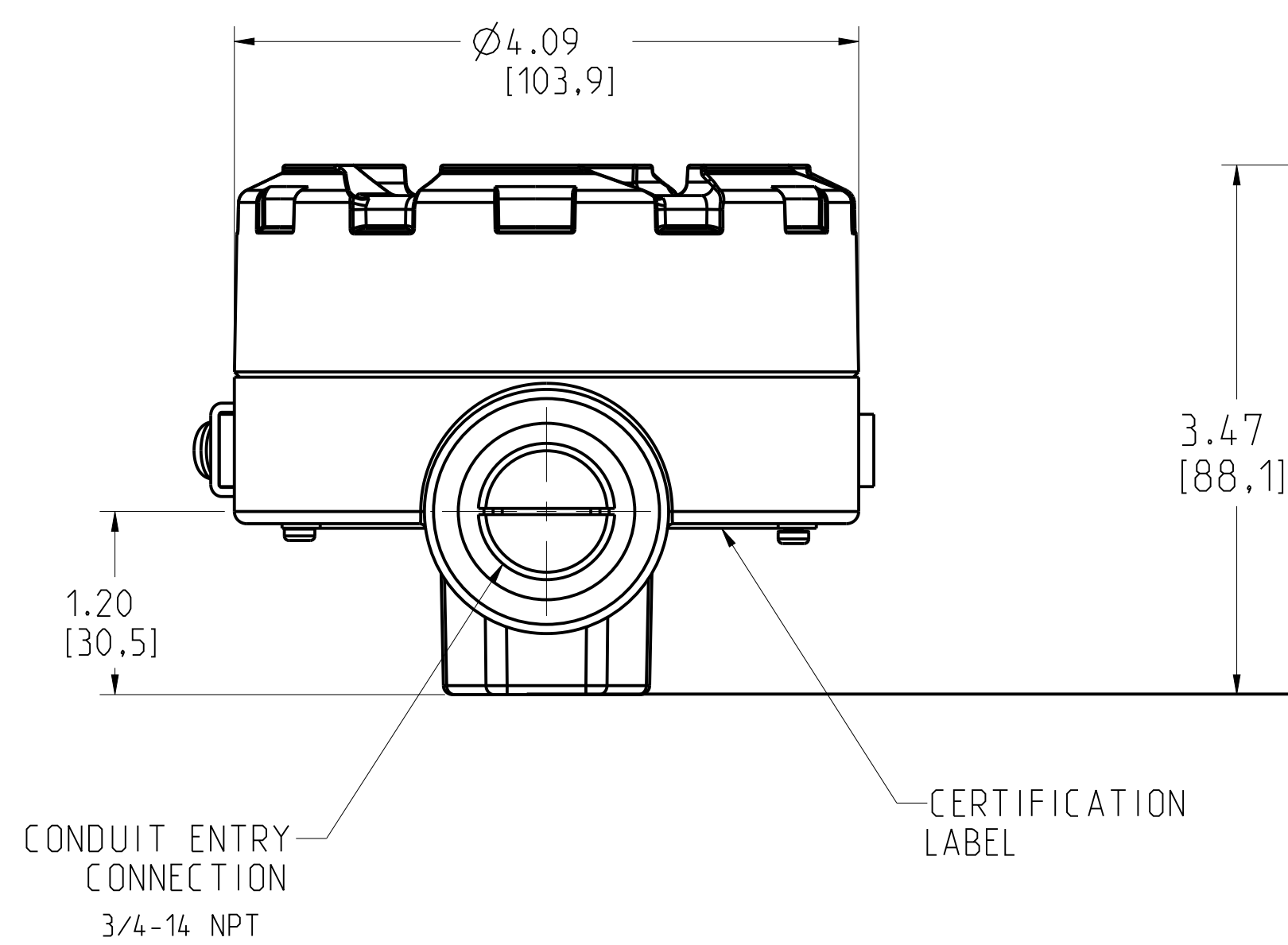
ROSEMOUNT ALUMINUM (AR1)
OR ROSEMOUNT SST (SR1)
(COVER CHAIN OPTION AVAILABLE)

ROSEMOUNT ALUMINUM WITH DISPLAY COVER (AR2)
OR SST ROSEMOUNT SST WITH DISPLAY COVER (SR2)



ALUMINUM CONNECTION
HEAD WITH TERMINAL STRIP (AT1)
(COVER CLAMP OPTION CODE DEPENDANT)

ALUMINUM CONNECTION HEAD WITH
TERMINAL STRIP AND EXTENDED COVER (AT3)
(COVER CHAIN OPTION AVAILABLE)



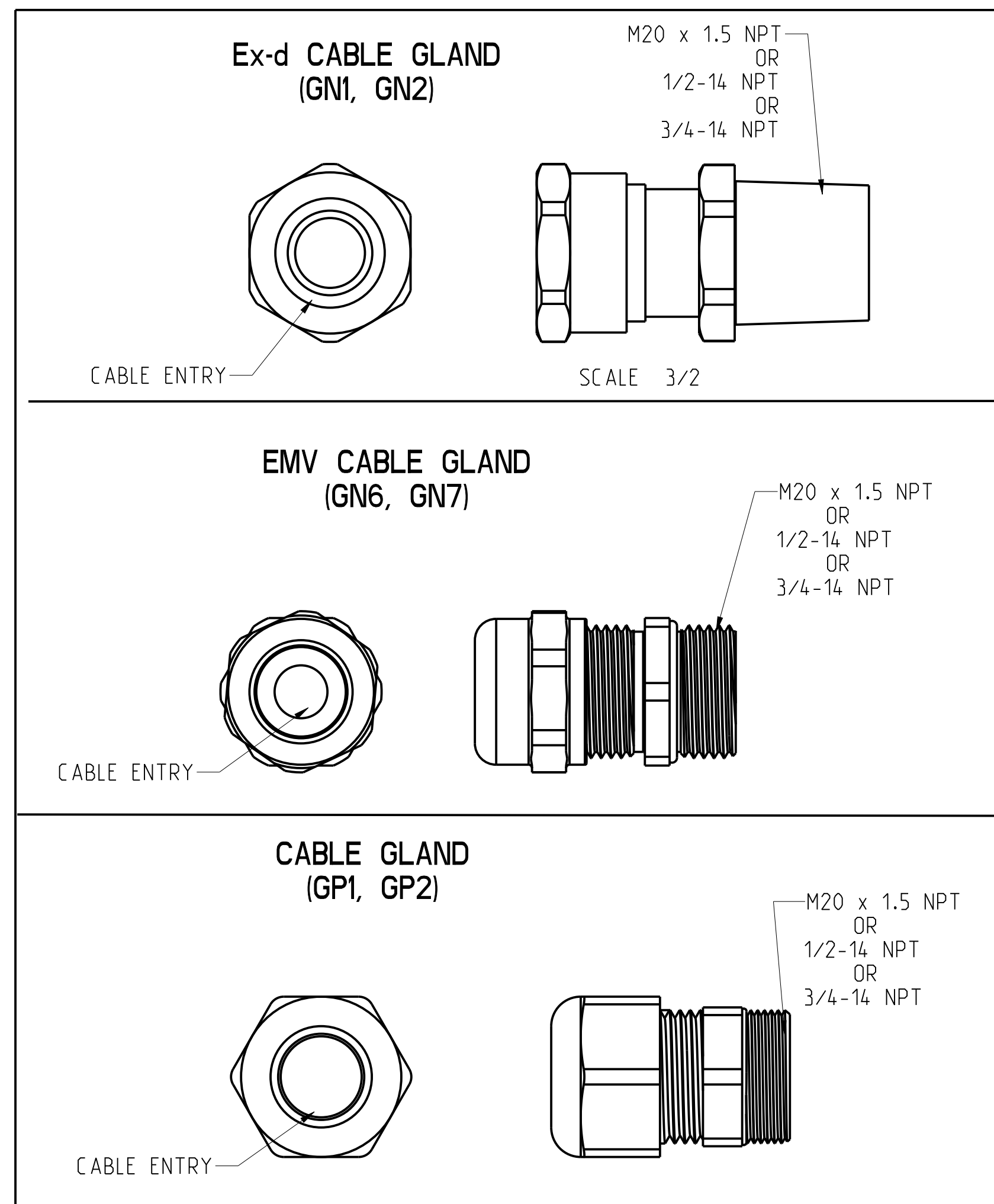
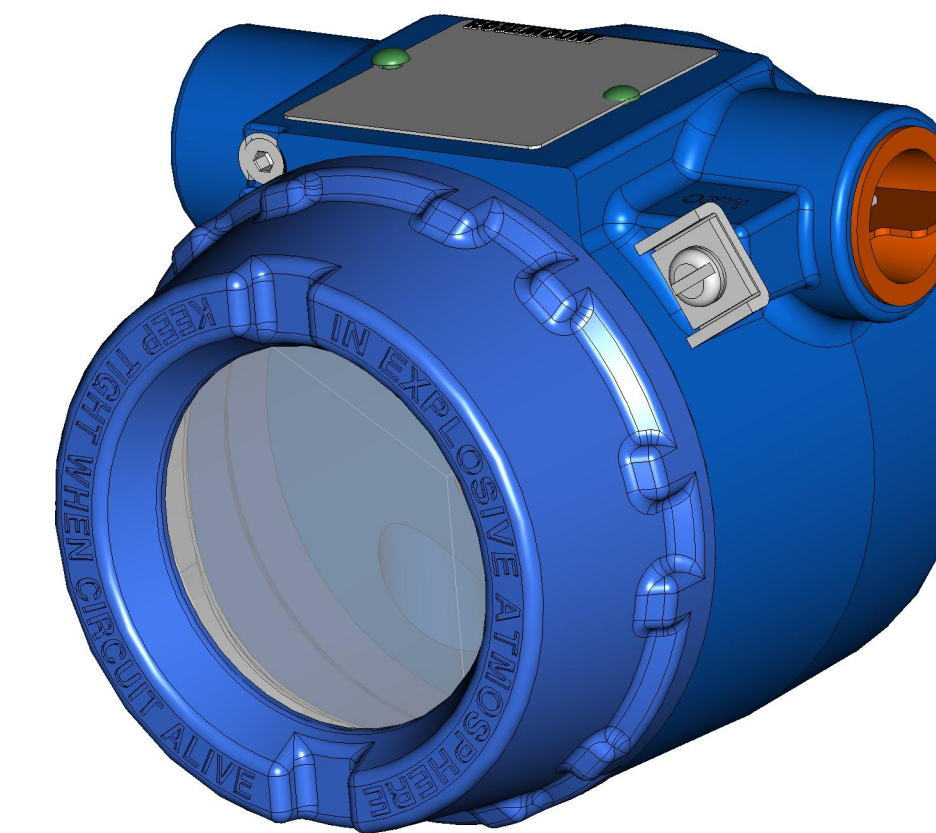
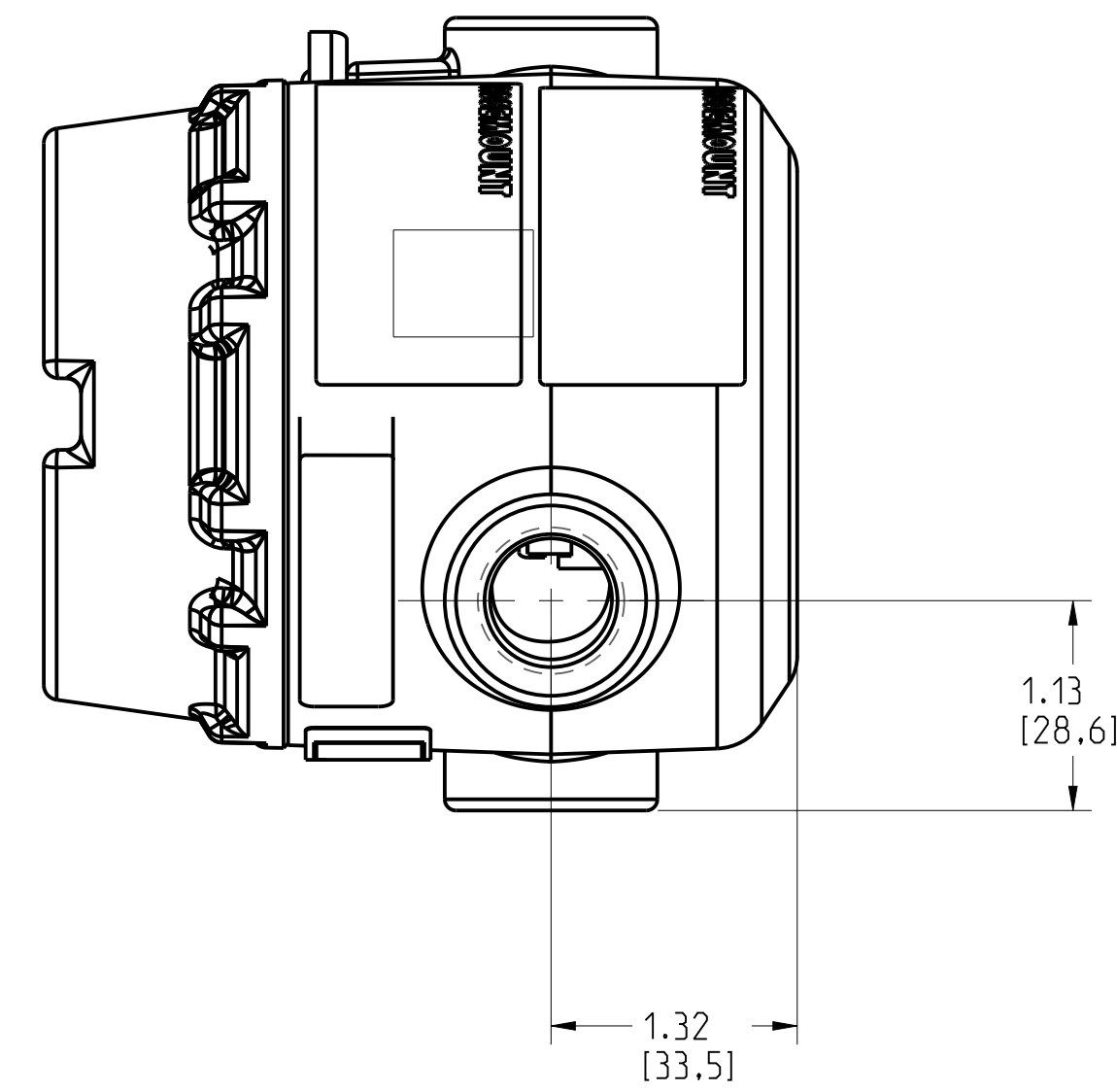
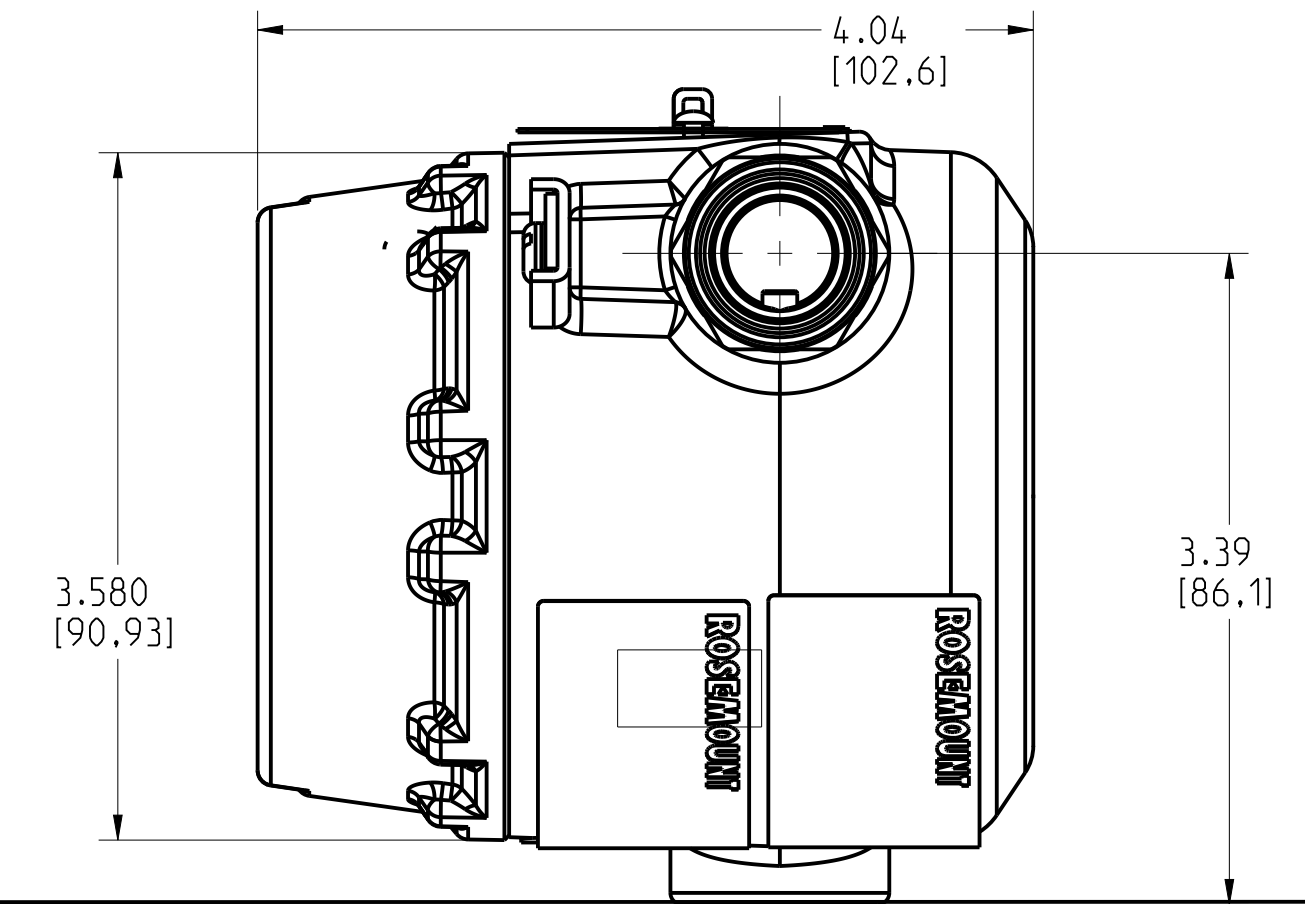
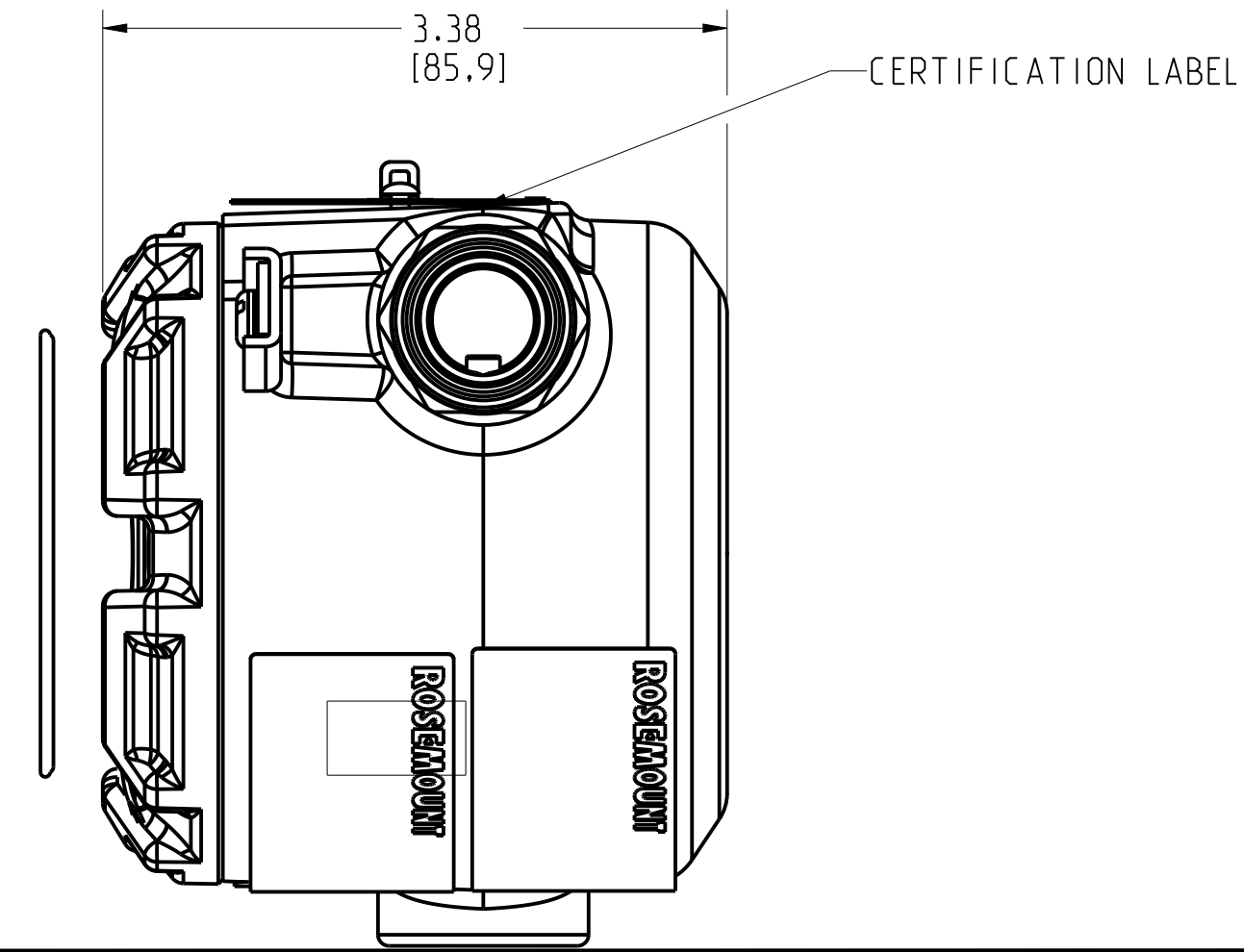
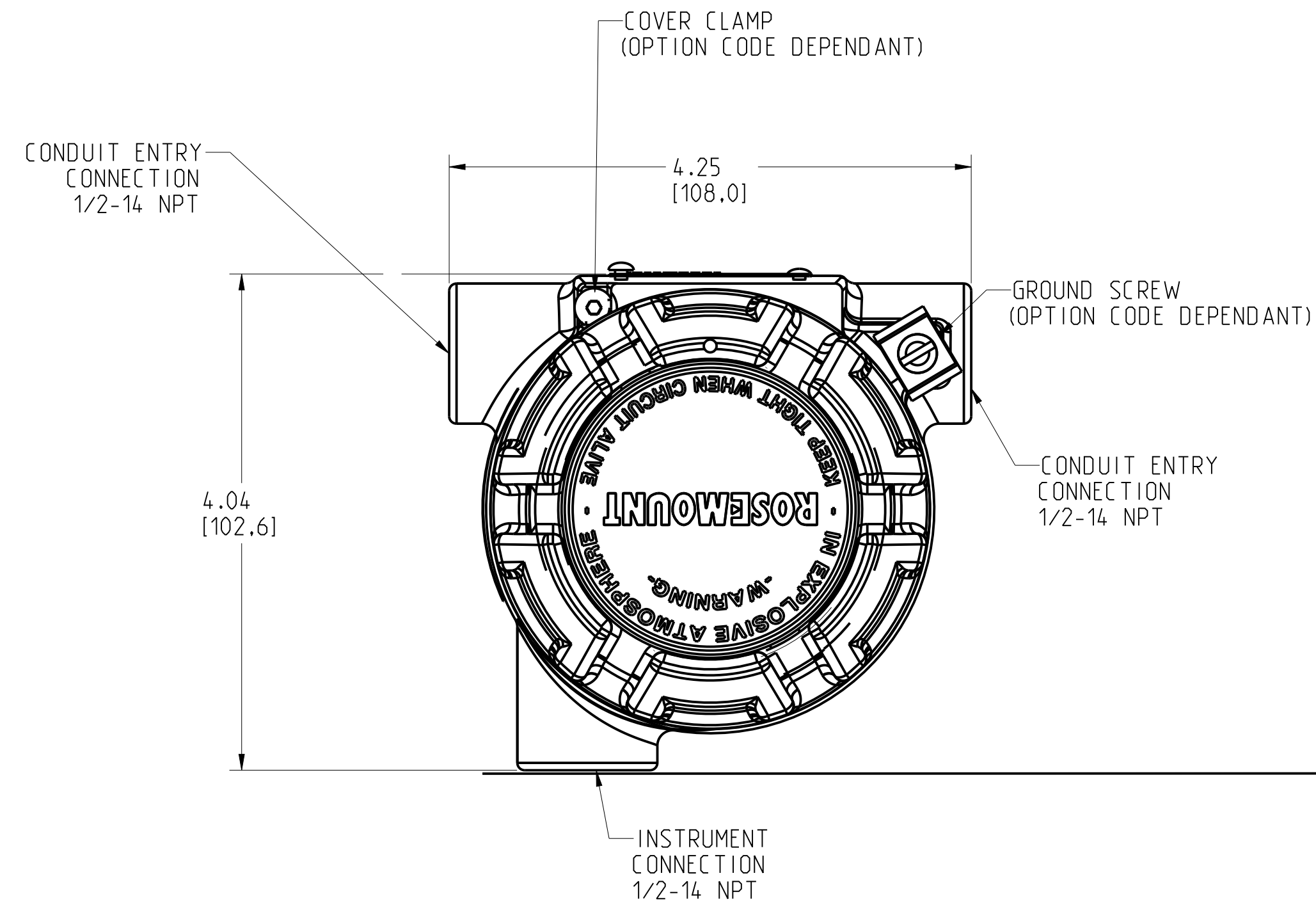
©2015 ROSEMOUNT, INC.
ROSEMOUNT AND ALL OTHER
TRADEMARKS ARE THE
PROPERTY OF ROSEMOUNT
ENGINEERING INC. ALL
RIGHTS RESERVED.
UNIT NOTES IN INCHES (mm).

EMERSON	3RD ANGLE	SIZE D	SCALE 5/4
TITLE ROSEMOUNT 214C TYPE I DRAWING			
DR. J. ARMSTRONG	6/25/15	DRAWING NO.	00214-7000
APP'D O. GHAZI	12/02/15		
CAD MAINTAINED (PRO/E)			SHEET 4 OF 6

ROSEMOUNT 214C SENSOR CONNECTION HEADS

3 ENTRY UNIVERSAL JUNCTION BOX ALUMINUM (AJ1) (COVER CHAIN OPTION AVAILABLE)

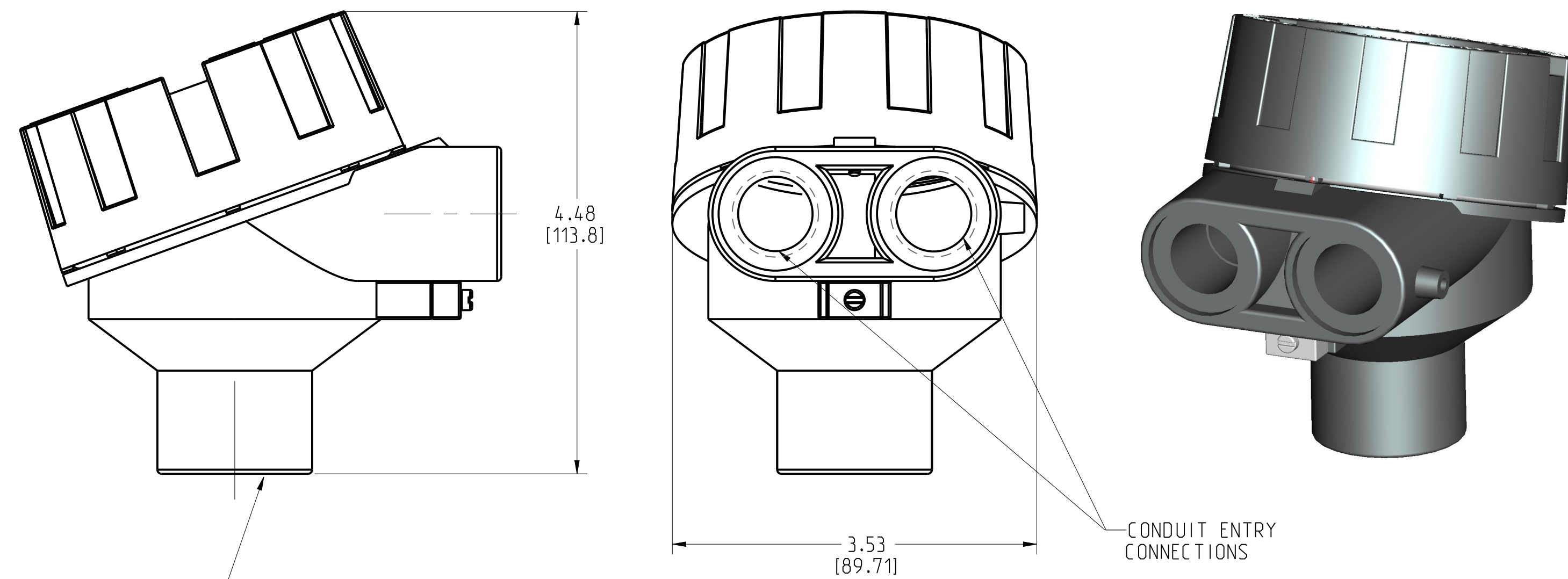
3 ENTRY UNIVERSAL JUNCTION BOX WITH DISPLAY COVER ALUMINUM (AJ2)



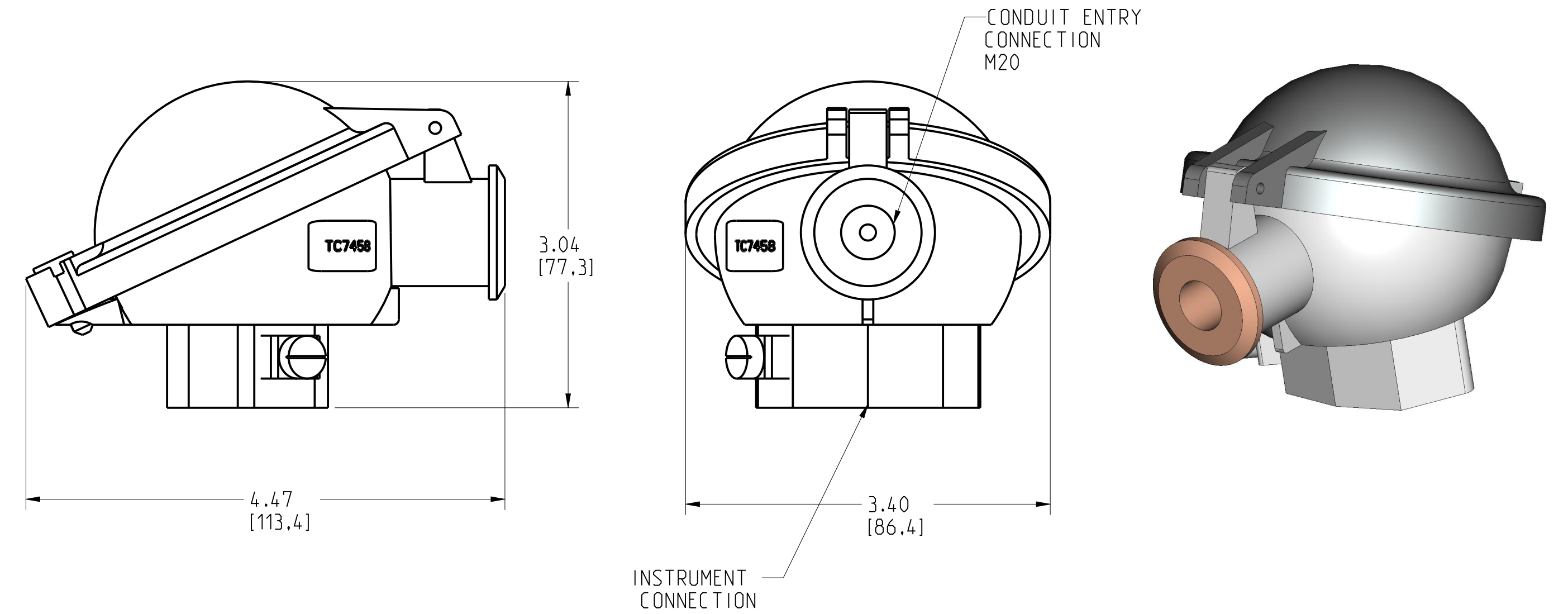
<small>©2015 ROSEMOUNT, INC. ROSEMOUNT AND LOGO ARE REGISTERED TRADEMARKS OF ROSEMOUNT ENGINEERING ROSEMOUNT ENGINEERING SPECIFICATIONS. UNIT NOTES IN INCHES (mm). REFERENCE ROSEMOUNT PRODUCT SPECIFICATIONS. CLICK HERE</small>	<small>3RD ANGLE</small> 	<small>SIZE</small> D	<small>SCALE</small> NTS
	TITLE ROSEMOUNT 214C TYPE I DRAWING		
	<small>DR.</small> J. ARMSTRONG <small>6/25/15</small>	<small>DRAWING NO.</small> 00214-7000	
<small>APP'D</small> O. GHAZI <small>12/02/15</small>			
<small>CAD MAINTAINED (PRO/E)</small>		<small>SHEET 5 OF 6</small>	

ROSEMOUNT 214C SENSOR CONNECTION HEADS

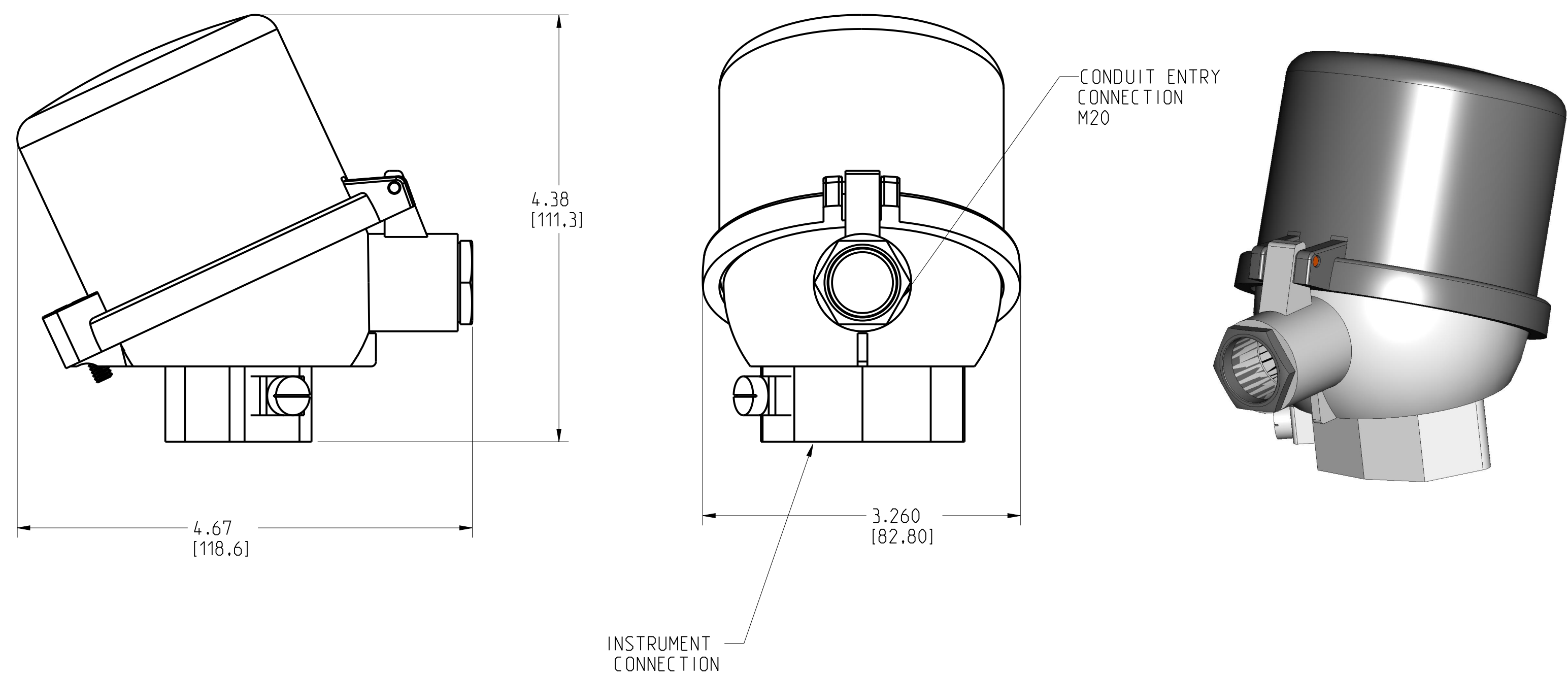
DUAL ENTRY ALUMINUM (AD1)
OR DUAL ENTRY SST (SD1)



BUZ ALUMINUM (AF1)



BUZH ALUMINUM (AF3)



©2015 ROSEMOUNT, INC. ALL RIGHTS RESERVED. THIS DRAWING IS THE PROPERTY OF ROSEMOUNT, INC. AND IS TO BE USED IN ACCORDANCE WITH ROSEMOUNT ENGINEERING SPECIFICATIONS. UNIT NOTES IN INCHES (mm).

REFERENCE ROSEMOUNT PRODUCT SPECIFICATIONS. CLICK HERE

3RD ANGLE

EMERSON

TITLE
ROSEMOUNT 214C
TYPE I DRAWING

DR. J. ARMSTRONG 6/25/15 DRAWING NO.
APP'D O. GHAZI 12/02/15

00214-7000

CAD MAINTAINED (PRO/EI) SHEET 6 OF 6