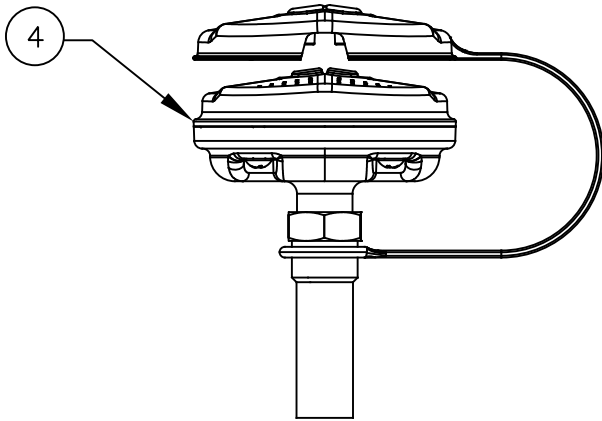
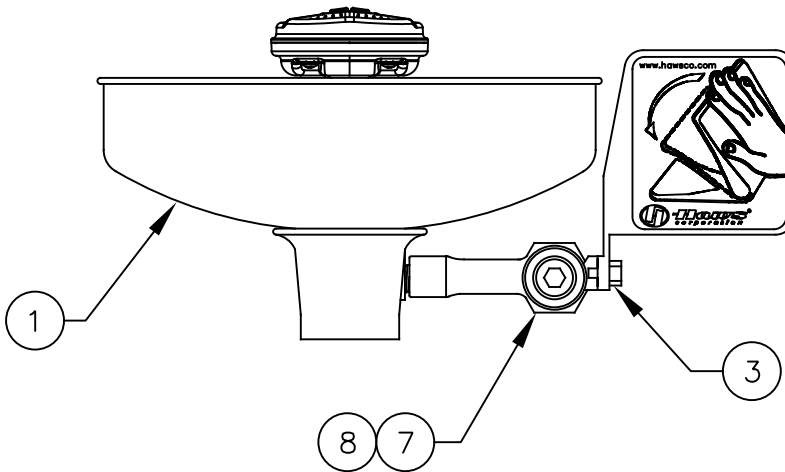
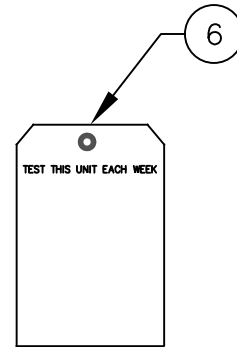
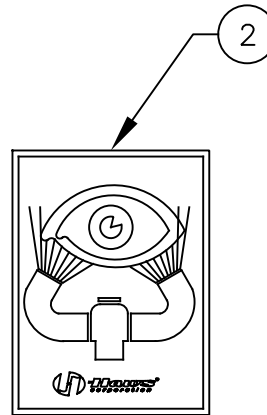


ITEM	DESCRIPTION	PART NO.
1	BOWL	SP90
2	EYEWASH SIGN	SP175
3	VALVE ASSEMBLY	SP229
4	EYE/FACE WASH ASSY	SP65
5	TEST TAG	SP170
6	L-STRAINER	SP509
7	STRAINER REPAIR KIT	VRKEWSTR




SP65 EYE/FACE WASH ASSEMBLY
 (INCLUDES: EYE/FACE WASH HEAD (**SHOWN**),
 EYEWASH HEAD (**NOT SHOWN**), EYEWASH FLOW
 CONTROL (**NOT SHOWN**), DUST COVER (**SHOWN**))



PARTS BREAKDOWN

WHEN ORDERING PARTS PLEASE SPECIFY MODEL NUMBER.

		1455 KLEPPE LANE SPARKS, NEVADA 89431 (775) 359-4712 FAX (775) 359-7424 E-MAIL: HAWS@HAWSCO.COM WEBSITE: WWW.HAWSCO.COM	
		ECN NO. . ECN: 5175	REVISED PER BY VWC
DRAWN CLF	DATE 02/24/93	CHKD VWC	REVISION 12
APPROVED FV	DATE 11/23/17	SCALE: 1:1	DRAWING TYPE: PARTS BREAKDOWN
		SIZE: A	SHEET 1 OF 1