

WIRING INSTRUCTIONS

Model 400 Series Endurance Sensors, Model 140 Series Sensors, & Model 150 Series Sensors

This instruction sheet is for wiring Model 400 Series, 140 Series, and 150 Series conductivity sensors to various Rosemount Analytical instruments. Sensors with integral cable include Models 400, 401-14, 402, 403, 404, and 150. Models 400-60, 402-60, 403-60, 140, 141, and 142 include a sensor-mounted junction box. Extension cable PN 9200275 (unprepped) or PN 23747-00 (prepped as shown in Figure 1) must be ordered separately for these models. See Figure 1 for wire functions. See Figure 2 for wiring extension cable to the terminal block inside a sensor-mounted junction box. Refer to the sensor and instrument instruction manuals for additional information.

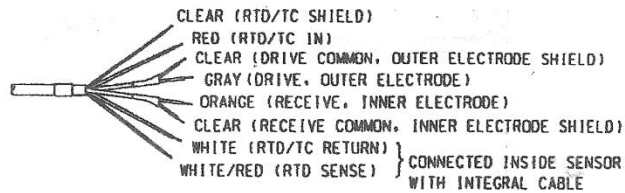


FIGURE 1. Wire Functions

For Wiring To	See Figure
Sensor-mounted junction box	2
Solu Comp	9
54C and 54eC	13
81C	5
1054BC	10
1054BDC	11
1054BLC	8
1054BR	11
1055	7
1055C	12
1181C	3
2081C	4
3081C, 4081C, 5081C	6

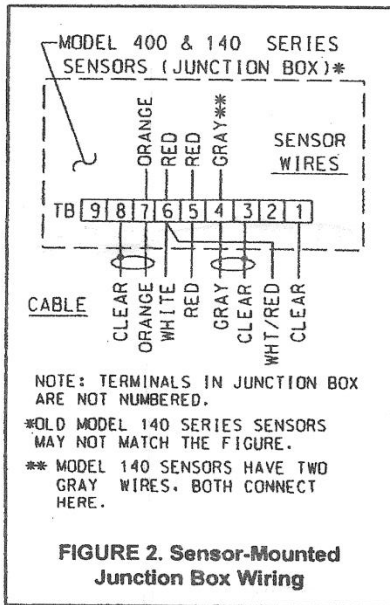


FIGURE 2. Sensor-Mounted Junction Box Wiring

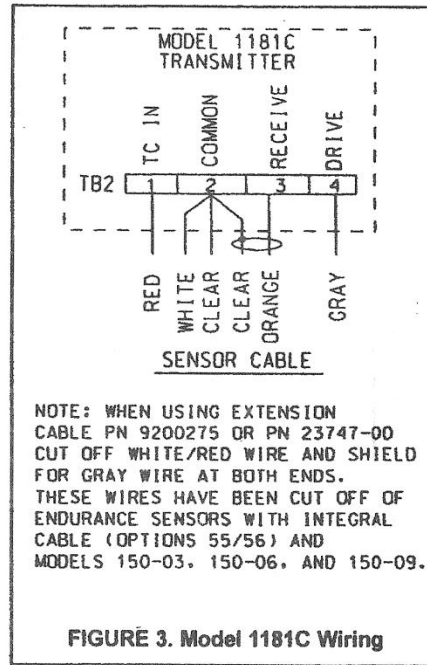


FIGURE 3. Model 1181C Wiring

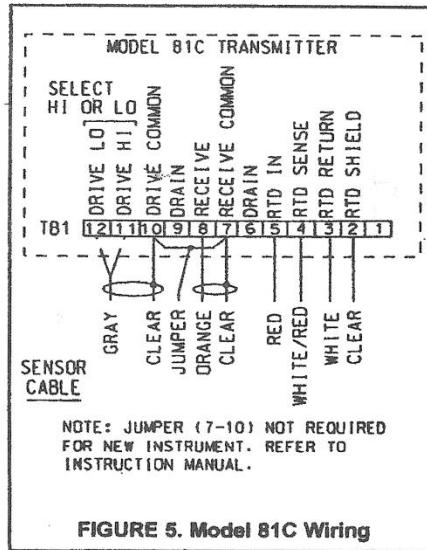


FIGURE 5. Model 81C Wiring

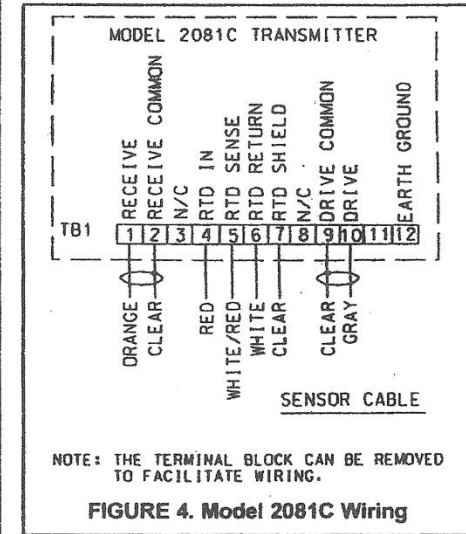


FIGURE 4. Model 2081C Wiring

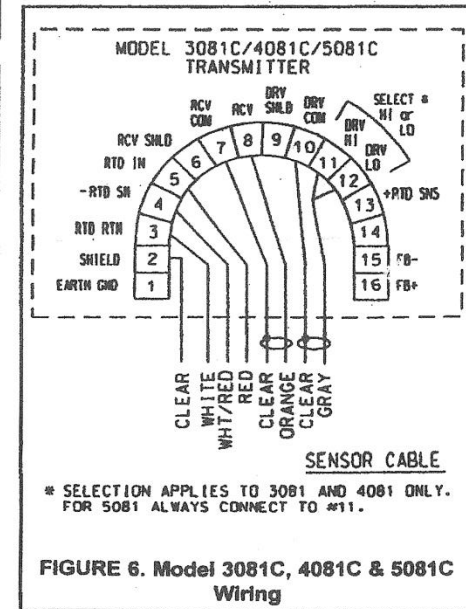


FIGURE 6. Model 3081C, 4081C & 5081C Wiring

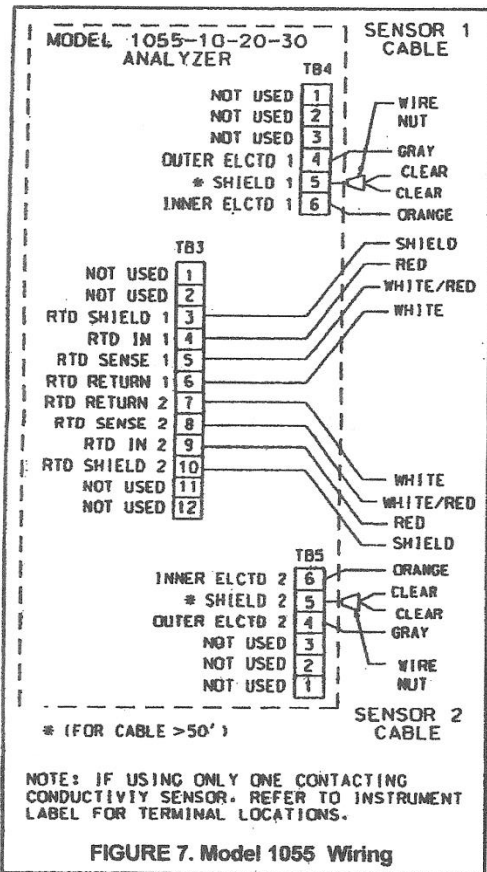


FIGURE 7. Model 1055 Wiring

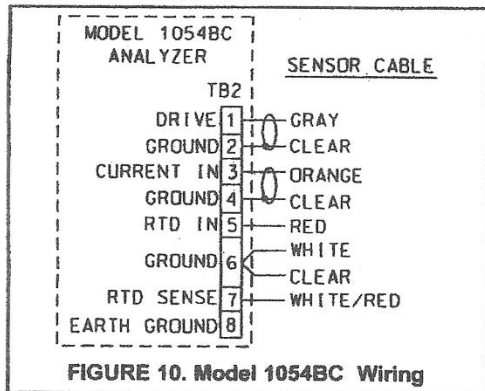


FIGURE 10. Model 1054BC Wiring

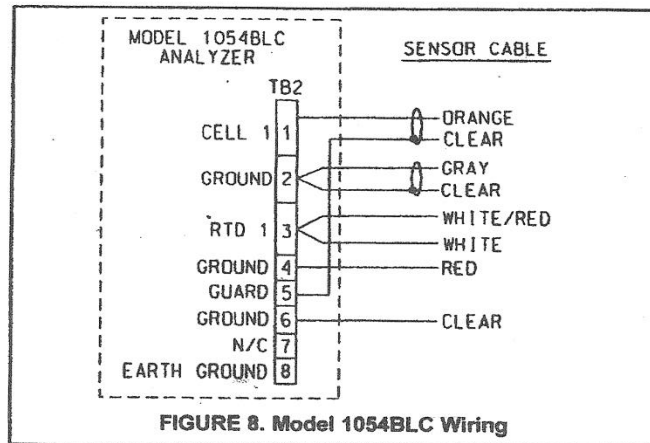


FIGURE 8. Model 1054BLC Wiring

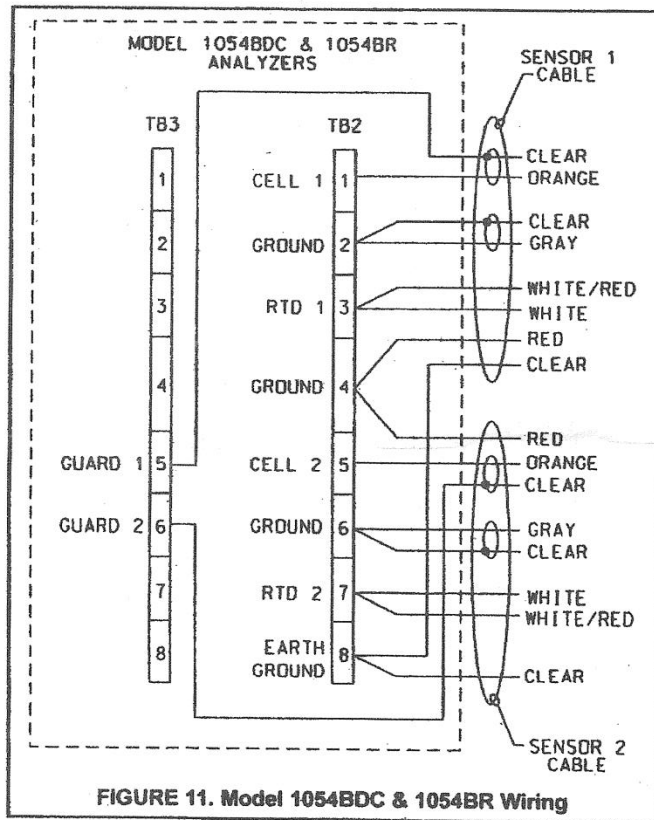


FIGURE 11. Model 1054BDC & 1054BR Wiring

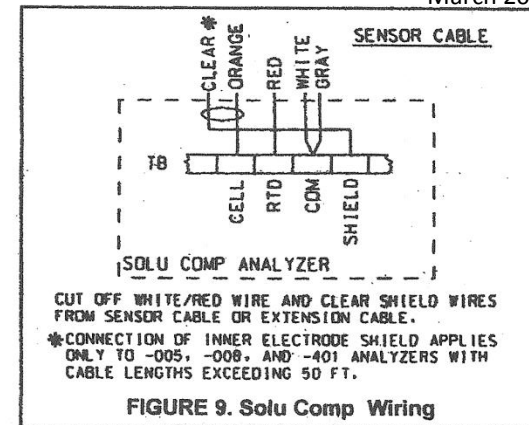


FIGURE 9. Solu Comp Wiring

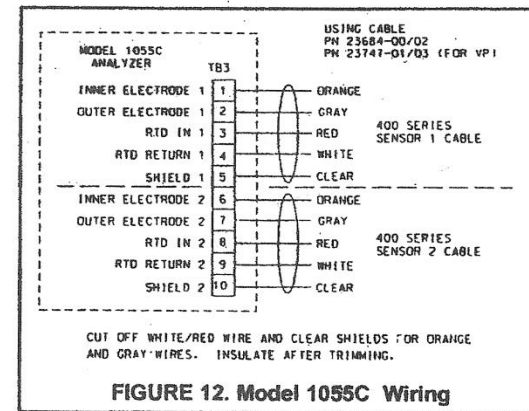


FIGURE 12. Model 1055C Wiring

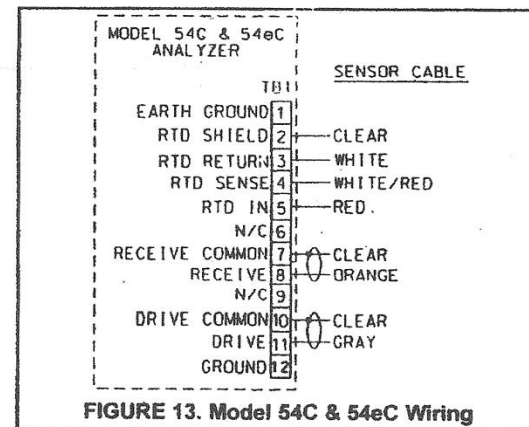


FIGURE 13. Model 54C & 54eC Wiring

Model 400 Series
Wiring Diagrams

Figure 7. Wiring for 54eC

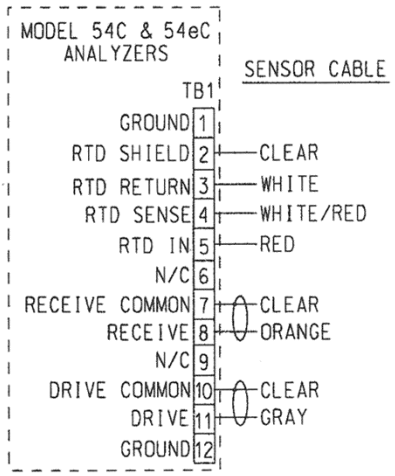


Figure 8. Wiring for 56 and 1056

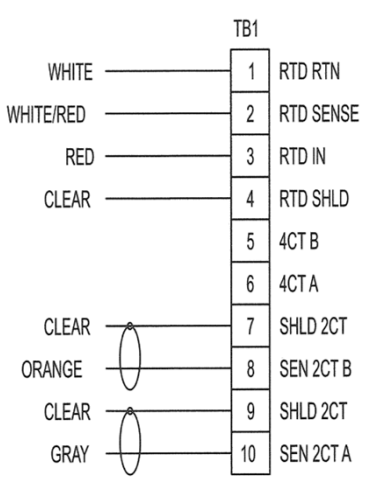


Figure 9. Wiring for 1066

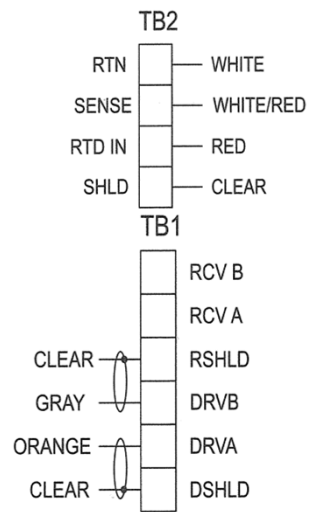


Figure 10. Wiring for XMT-C-10 (Panel)

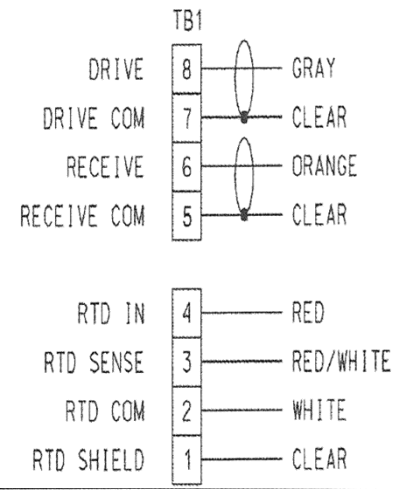


Figure 11. Wiring for XMT-C-11 (Pipe or Wall)

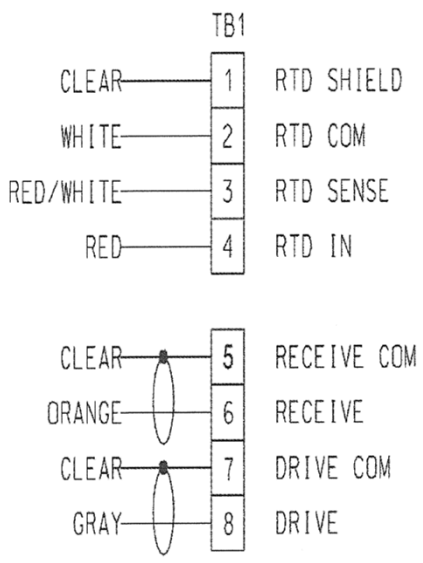


Figure 12. Wiring for 5081C

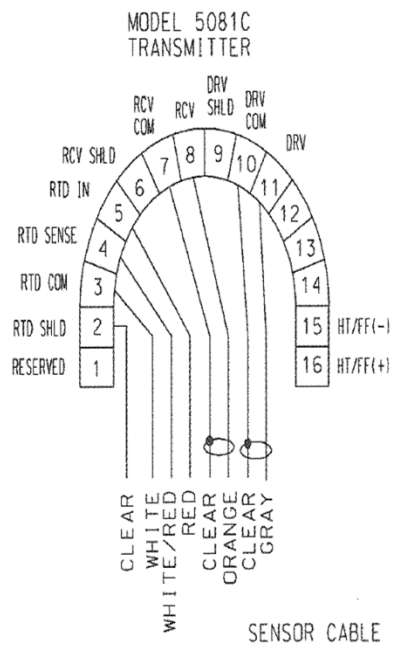
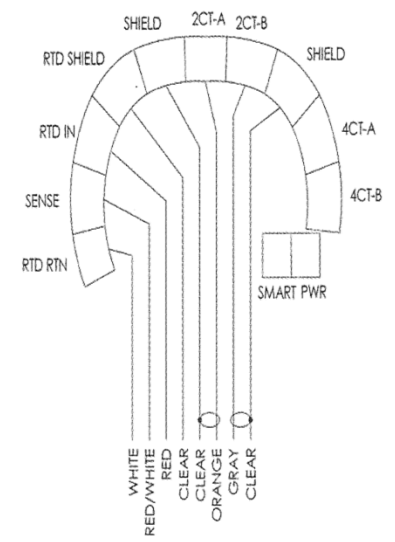


Figure 13. Wiring for 6081-C



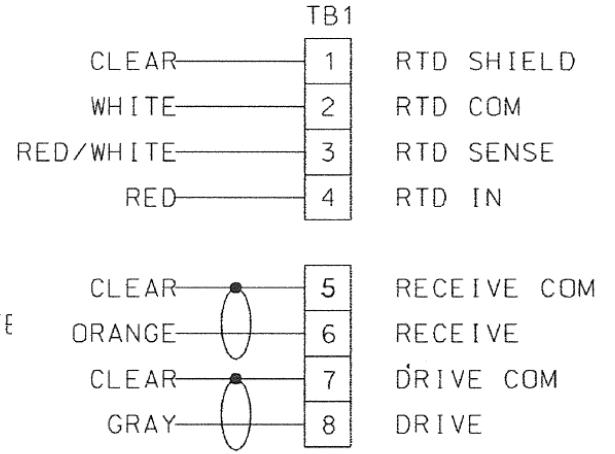
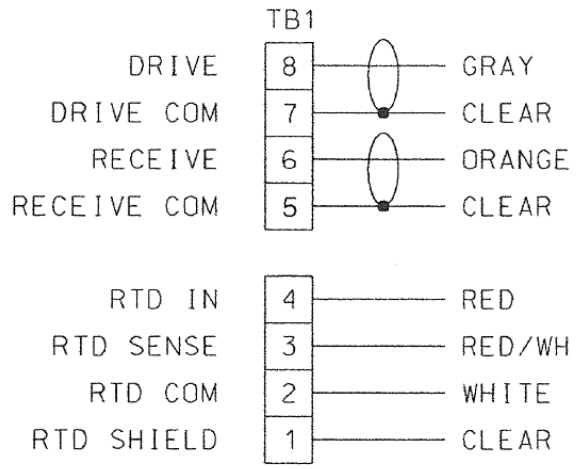
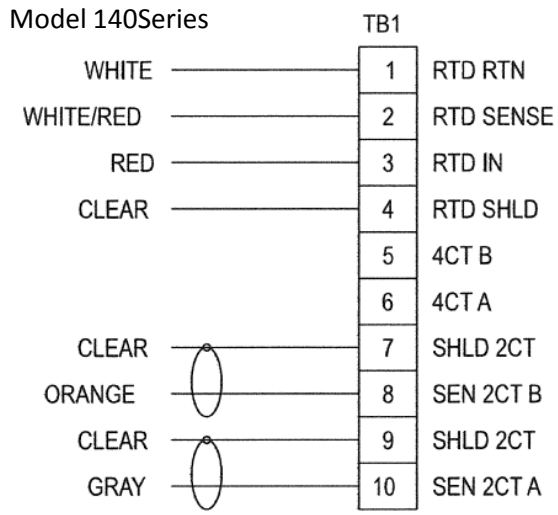


FIGURE 8. Model Xmt-C-10 Wiring (Panel) FIGURE 9. Model Xmt-C-11 Wiring (Pipe or Wall)

FIGURE 7. Model 1056 and 56 Wiring

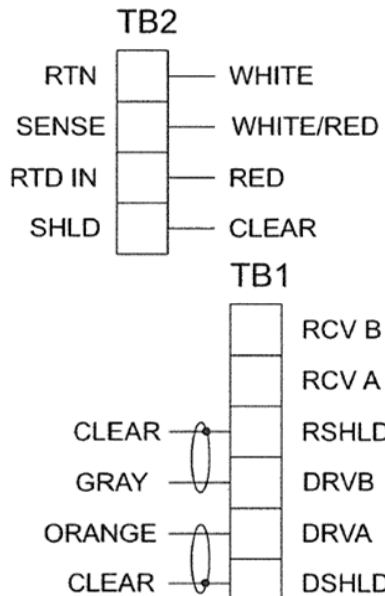


FIGURE 10. Model 1066 Wiring

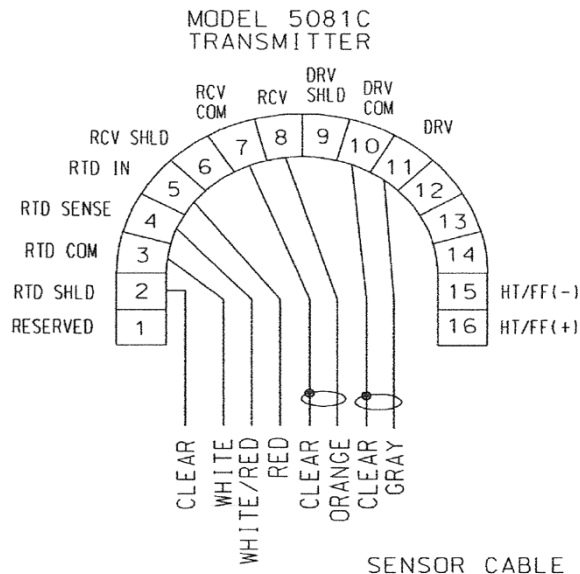


FIGURE 11. Model 5081C Wiring

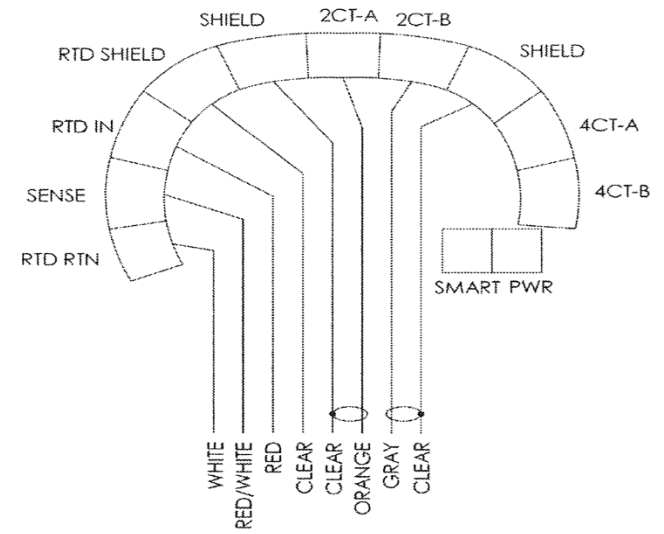


FIGURE 12. Model 6081-C Wiring