



INSTALLATION, OPERATION & MAINTENANCE INSTRUCTIONS

1455 Kleppe Lane ♦ Sparks, NV 89431-6467 ♦ (775) 359-4712 ♦ Fax (775) 359-7424
E-mail: haws@hawsco.com ♦ website: www.hawsco.com

No. 0002080163 (17)

Model 8300FP Freeze Resistant Combination Shower Eye/Face Wash

NOTE TO INSTALLER: Please leave this information with the Maintenance Department.

LIMITED WARRANTY

HAWS warrants that this specific product is guaranteed against defective material or poor workmanship for a period of **one year from date of shipment**. HAWS liability under this warranty shall be discharged by furnishing without charge F.O.B. HAWS Factory any goods, or part thereof, which shall appear to the Company upon inspection to be of defective material or not of first class workmanship, provided that claim is made in writing to Haws within a reasonable period after receipt of the product. Where claims for defects are made, the defective part or parts shall be delivered to the Company, prepaid, for inspection. HAWS will not be liable for the cost of repairs, alterations or replacements, or for any expense connected therewith made by the owner or his agents, except upon written authority from HAWS, Sparks, Nevada. HAWS will not be liable for any damages caused by defective materials or poor workmanship, except for replacements, as provided above. Buyer agrees that Haws has made no other warranties either expressed or implied in addition to those above stated, except that of title with respect to any of the products or equipment sold hereunder and that HAWS shall not be liable for general, special, or consequential damages claimed to arise under the contract of sale.

The emergency equipment manufactured by HAWS is warranted to function if installation and maintenance instructions provided are adhered to. The units also must be used for the purpose for which they were intended. This product is intended to supplement first-aid treatment. Due to widely varying conditions, Haws cannot guarantee that the use of this emergency equipment will prevent serious injury or the aggravation of existing or prior injuries.

NO OTHER WARRANTIES EXPRESSED OR IMPLIED ARE AUTHORIZED, PROVIDED OR GIVEN BY HAWS.

SHOULD YOU EXPERIENCE DIFFICULTY WITH THE INSTALLATION OF THIS MODEL PLEASE CALL:

TECHNICAL SUPPORT: 1-800-766-5612

FOR CUSTOMER SERVICE: 1-888-640-4297

LOCATION OF UNIT: The Model 8300FP Freeze Resistant Shower/Eye/Face Wash should be installed in close proximity to potential accident areas. It should be clearly identified, free from obstructions and easy to access.

SUPPLY LINE: The minimum recommended line size is 1-1/4" IPS with 30-90 psi (2-6 ATM) flowing pressure. Where sediment or mineral content is a problem, an inlet filter is recommended.

PLUMBING CONNECTIONS: The main inlet supply connections are 1-1/4" male IPS for shower and 3/4" female IPS for eyewash. Waste outlet is 1-1/4" female IPS.

MAINTENANCE: In freezing conditions, wipe eye/face wash head and dust cover dry after each use to prevent unwanted ice buildup.

INSTALLATION PROCEDURE

Refer to Installation Drawing for clarification. Check parts list to insure all required parts are included. Use pipe joint sealant PST #565 (Loctite) on all connections.

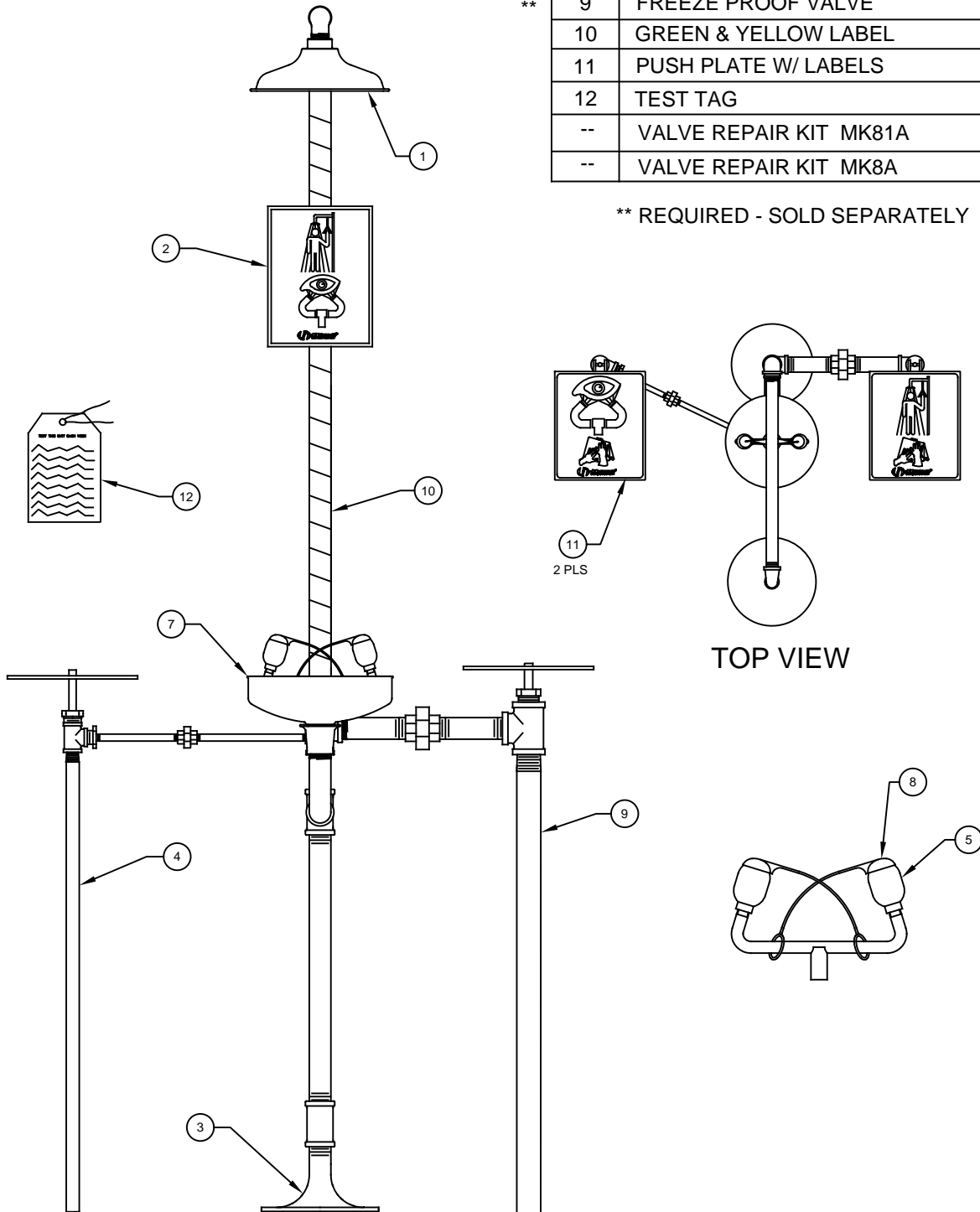
- STEP 1:** Install the 1-1/4" and 3/4" supply line below the frost line. Provide porous fill with a minimum size of 5 cubic feet for the supply line drain back.
- STEP 2:** Install the MK8A and MK81A freeze proof valves in their proper location (See Installation Drawing). For proper operation, valves must be installed in a vertical position. Valves must not be bowed or bent as this may result in binding and improper function. Turn the water on and test for proper operation before burying the valves.
- STEP 3:** Prepare the emergency shower foundation by using the floor flange as a template. Locate the three holes for the 3/8-16 UNC x 6" anchor bolts (not supplied). Anchor bolts should extend 1" above the floor level.
- STEP 4:** Once the concrete foundation is ready (dry), assemble the floor flange to the anchor bolts; and then securely fasten with 3/8-16 UNC Hex Nuts and 3/8" washers, (Not supplied). Seal and tighten tee (1-1/4") tee to floor flange making certain the 1-1/4" tee is facing the proper location.
- STEP 5:** Assemble (1-1/4" x 21-1/2") nipple to the (1-1/4") tee and tighten with a pipe wrench.
- STEP 6:** Assemble the eye/face wash assembly to the waste bend, then assemble the 1-1/4" tee and the 1-1/4" x 4" plugged nipple with the plugged side on top, then attach the other 1-1/4" tee to the 1-1/4" x 4" plugged nipple. Attach this assembly to nipple (1-1/4" x 21-1/2") nipple.
- STEP 7:** Assemble in the following order:
Attach nipple (1-1/4" x 52-1/2") onto the eye/face wash assembly.
Attach elbow (1-1/4" x 1") onto nipple.
Attach nipple (1x 24-5/8") onto elbow.
Attach street elbow (1") onto nipple.
Attach nipple (1-1/4" x 6") onto tee (1-1/4").
Attach union (1-1/4") onto nipple (1-1/4" x 6").
Attach nipple (1-1/4" x 6") onto the outlet of MK81A Valve, then connect both nipples (1/4" x 9") with the (1/4") union.
Attach nipple (1/4" x 9") onto the eye/face wash assembly.
Attach union (1/4") onto nipple (1/4" x 9).
Attach nipple (1/4" x 9") onto the outlet of MK8A Valve (use the reducer bushing), then connect both nipples (1/4" x 9") with the (1/4") union.
- STEP 8:** Assemble the sign onto the unit. Use the strap, screws, washers and nuts provided to mount the sign onto the upright. The sign should be positioned for maximum visibility.
- STEP 9:** Attach the showerhead. Water test and make the final check up.

TROUBLESHOOTING	
PROBLEM	REPAIR CHECKLIST
1. No flow.	1. Check the main shut-off valve.
2. Water leak between joints or fittings.	2. Tighten loose connections. If leak persists, the application of hot water will sometimes reseal improperly applied joint compound. After 30 minutes wait and retest, a persistent leak will necessitate reassembly and additional sealant.
3. Insufficient water flow, shower and eyewash.	3. Verify minimum 30 psi (2 ATM) flowing supply line pressure.
4. Water does not drain properly.	4. Check your drain system for debris. Check the main waste line of your building to see if it does handle the capacity required for the entire drainage system.
5. Insufficient water flow on eye/face wash, however, shower is sufficient.	5. Probable clogging of flow control due to inadequate line flushing. Unscrew eye/face wash head and adapter. Disassemble adapter to gain access and clean rubber flow control.
6. Eye/face wash streams do not meet desired eye level.	6. Possible blocked flow control, see above solution. Possible non-leveled eye/face wash assembly.
7. Water flows through check valve while valve is open.	7. Insure that push plate is fully depressed.
8. Water seeping at the shower or eye/face wash.	8. Shut off the water; remove the inner stem assembly and plunger. Check for damaged seat or 'O' rings, then flush thoroughly. If problem persists order the VRKMK81A for the shower or the VRKMK8A for the eye/face wash.
9. Insufficient water flow at the showerhead, however, eye/face wash is sufficient.	9. Probable clogging of flow control inside showerhead. Unscrew showerhead off of elbow and clean rubber flow control.

PARTS BREAKDOWN


ITEM	DESCRIPTION	PART NO.
1	SHOWER HEAD	8129FC
2	SHOWER SIGN	SP178
3	FLOOR FLANGE	SP75
**	FREEZE PROOF VALVE	MK8A
5	EYEWASH HEADS	SP11FC
7	SS BOWL	SP90
8	EYEWASH DUST COVERS	9095
**	FREEZE PROOF VALVE	MK81A
10	GREEN & YELLOW LABEL	SP185
11	PUSH PLATE W/ LABELS	SP218
12	TEST TAG	SP170
--	VALVE REPAIR KIT MK81A	VRKMK81A
--	VALVE REPAIR KIT MK8A	VRKMK8A

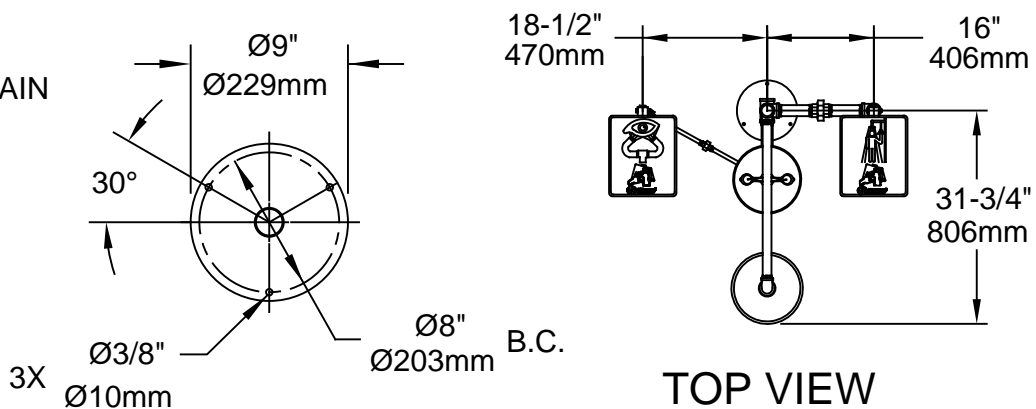
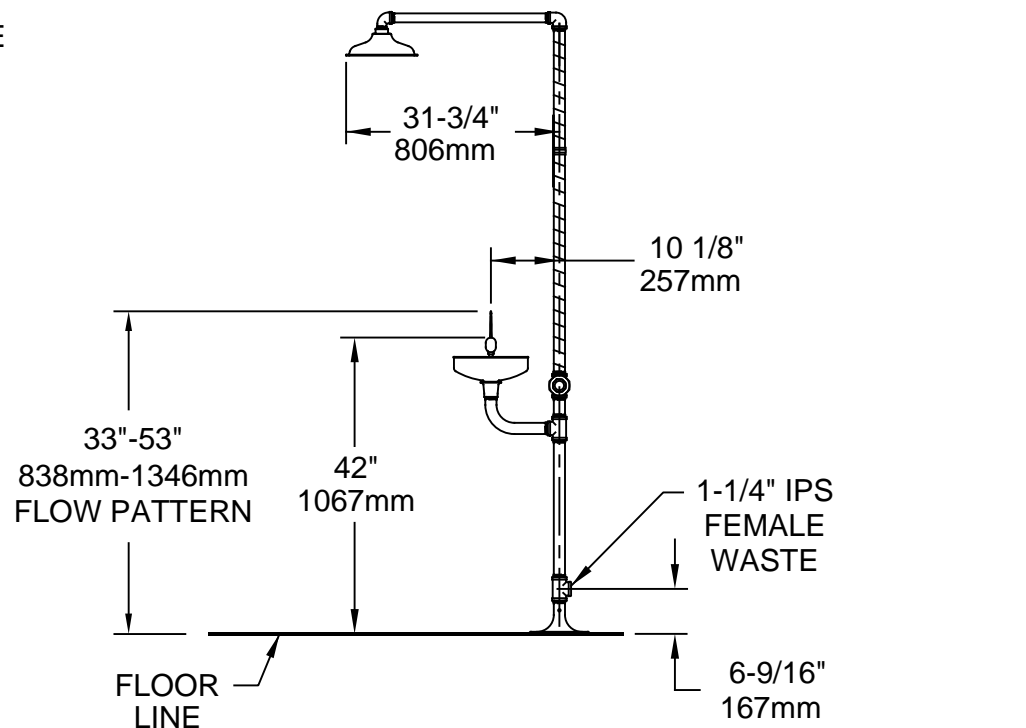
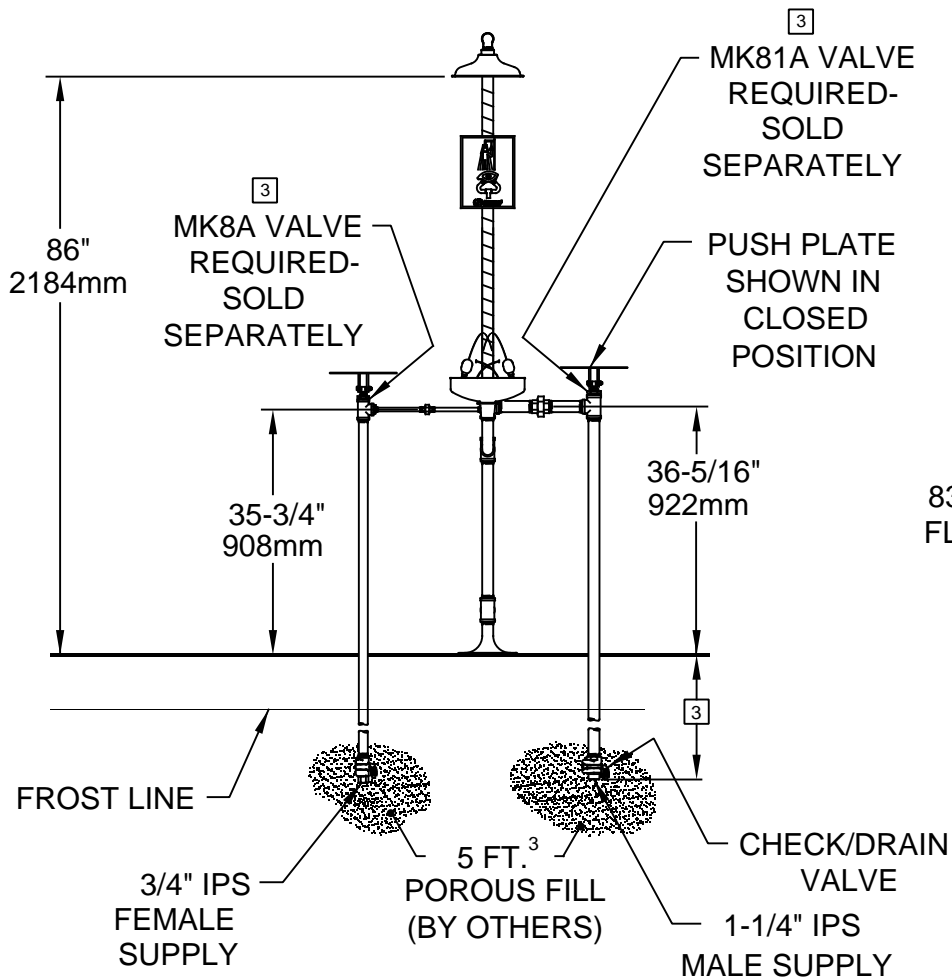
** REQUIRED - SOLD SEPARATELY



TOP VIEW

WHEN ORDERING PARTS PLEASE SPECIFY MODEL NUMBER.

		Haws [®]		1455 KLEPPE LANE SPARKS, NEVADA 89431 (775) 359-4712 FAX (775) 359-7424 E-MAIL: HAWS@HAWS.CO.COM WEBSITE: WWW.HAWS.CO.COM	
				ECN NO. REVISED PER BY ECN: 5527 FV	MODEL(S) 8300FP
DRAWN CLF APPROVED FV	DATE 03/10/93 DATE 04/02/20	CHKD DP	REVISION 17	SCALE: 1:1	DRAWING TYPE: PARTS BREAKDOWN
				SIZE: A	SHEET 1 OF 1



NOTES:

1. WHEN INSTALLING THIS UNIT, LOCAL, STATE, OR FEDERAL CODES SHOULD BE ADHERED TO FOR INSTALLATION DIMENSIONS (LOCATIONS), WASTE AND SUPPLY REQUIREMENTS OTHER THAN SHOWN.
2. TO COMPLY WITH ANSI Z358.1-2014 FOR EMERGENCY EYEWASH OR EYE/FACE WASH:
 - EYEWASH OR EYE/FACE WASH SHALL BE POSITIONED SUCH THAT FLUSHING FLUID PATTERN IS NOT LESS THAN 33" (838mm), NO GREATER THAN 53" (1346mm) FROM SURFACE ON WHICH USER STANDS, AND 6.0" (153mm) MINIMUM FROM WALL OR NEAREST OBSTRUCTION.
 - SHOWER SHALL BE POSITIONED SUCH THAT SHOWER HEAD IS NOT LESS THAN 82" (2083mm) OR GREATER THAN 96" (2438mm) FROM SURFACE ON WHICH USER STANDS.
 - SHOWER SPRAY PATTERN SHALL HAVE A MINIMUM DIAMETER OF 20" (508mm) AT 60" (1524mm) ON WHICH USER STANDS. CENTER OF SPRAY PATTERN SHALL BE LOCATED AT LEAST 16" (406mm) FROM NEAREST OBSTRUCTION.

3 SPECIFY BURY DEPTH FOR FREEZE RESISTANT VALVE, STANDARD BURY DEPTHS ARE: 24" [610mm] AND 42" [1067mm].

4. DIMENSIONS MAY VARY BY ±1/2" (13 mm).

MOUNTING DETAIL

TOP VIEW

		1455 KLEPPE LANE SPARKS, NEVADA 89431 (775) 359-4712 FAX (775) 359-7424 E-MAIL: HAWS@HAWSCO.COM WEBSITE: WWW.HAWSCO.COM	
		ECN NO. REVIS PER BY: MODEL(S) ECN: 5527 FV	8300FP
DRAWN: CH DATE: 05/91 APPROVED: FV	DATE: 04/02/20	CHKD.: DP	REVISION 17
SCALE: 1:1		DRAWING TYPE: INSTALLATION	SIZE: A SHEET 1 OF 1