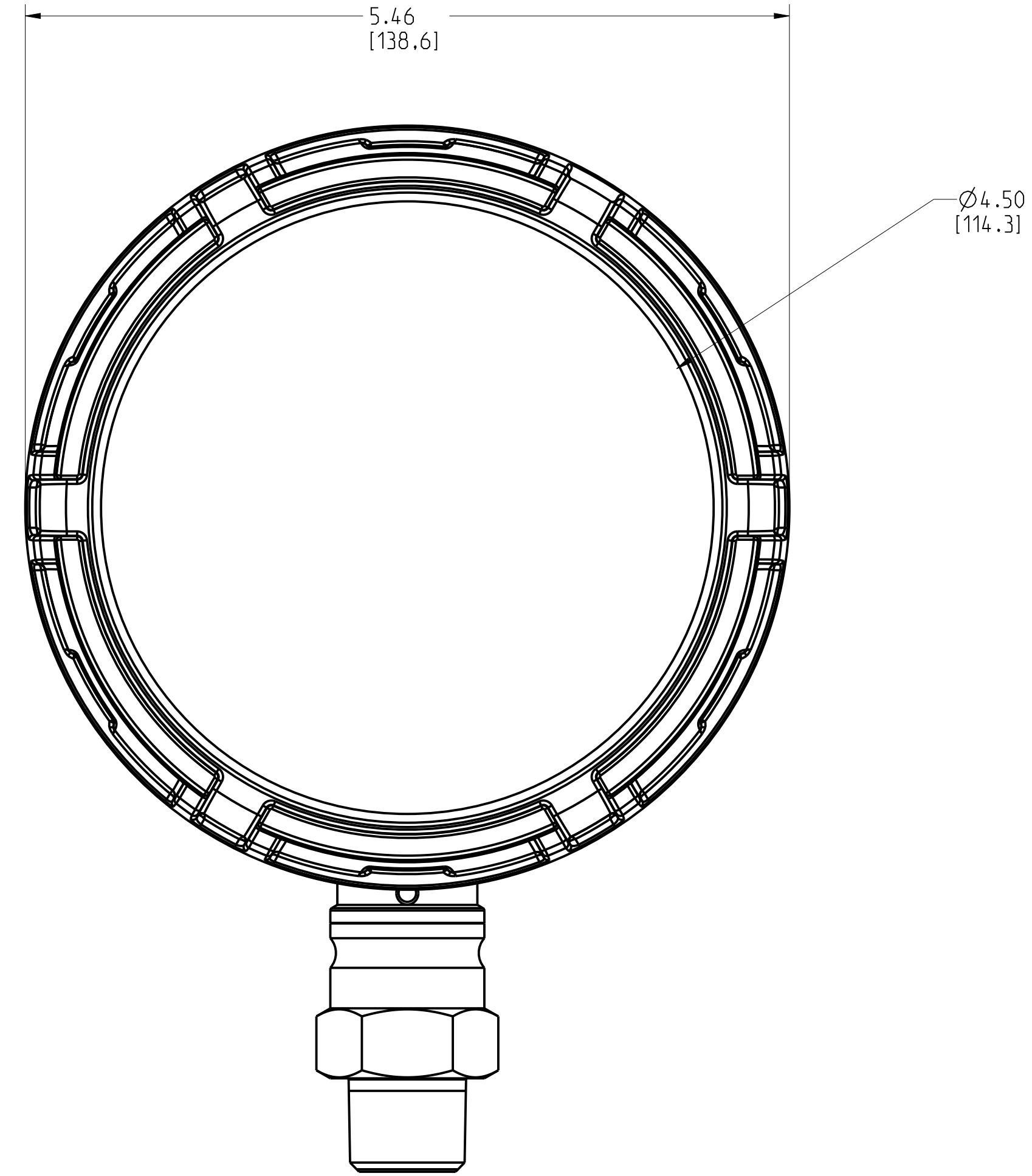
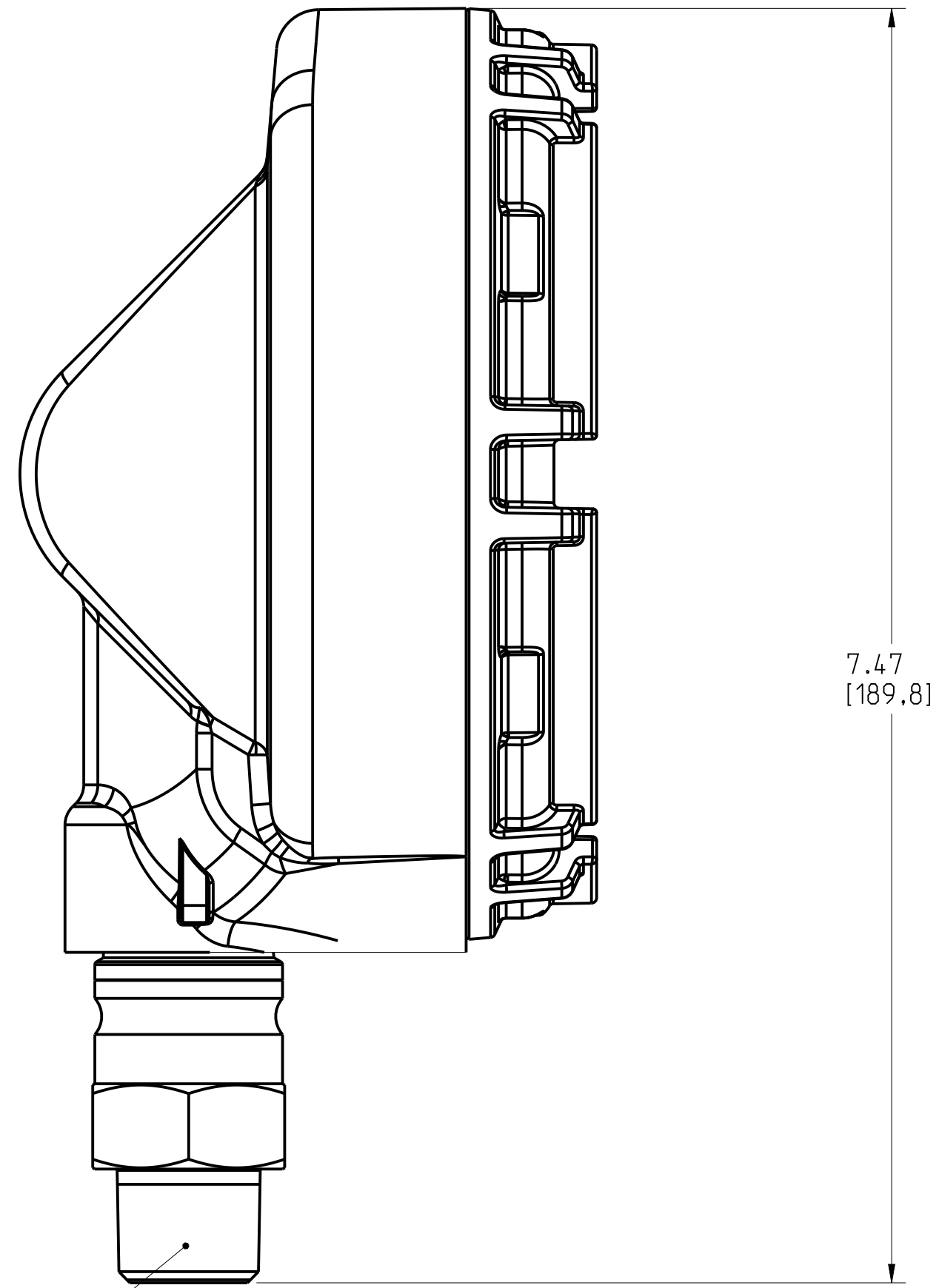
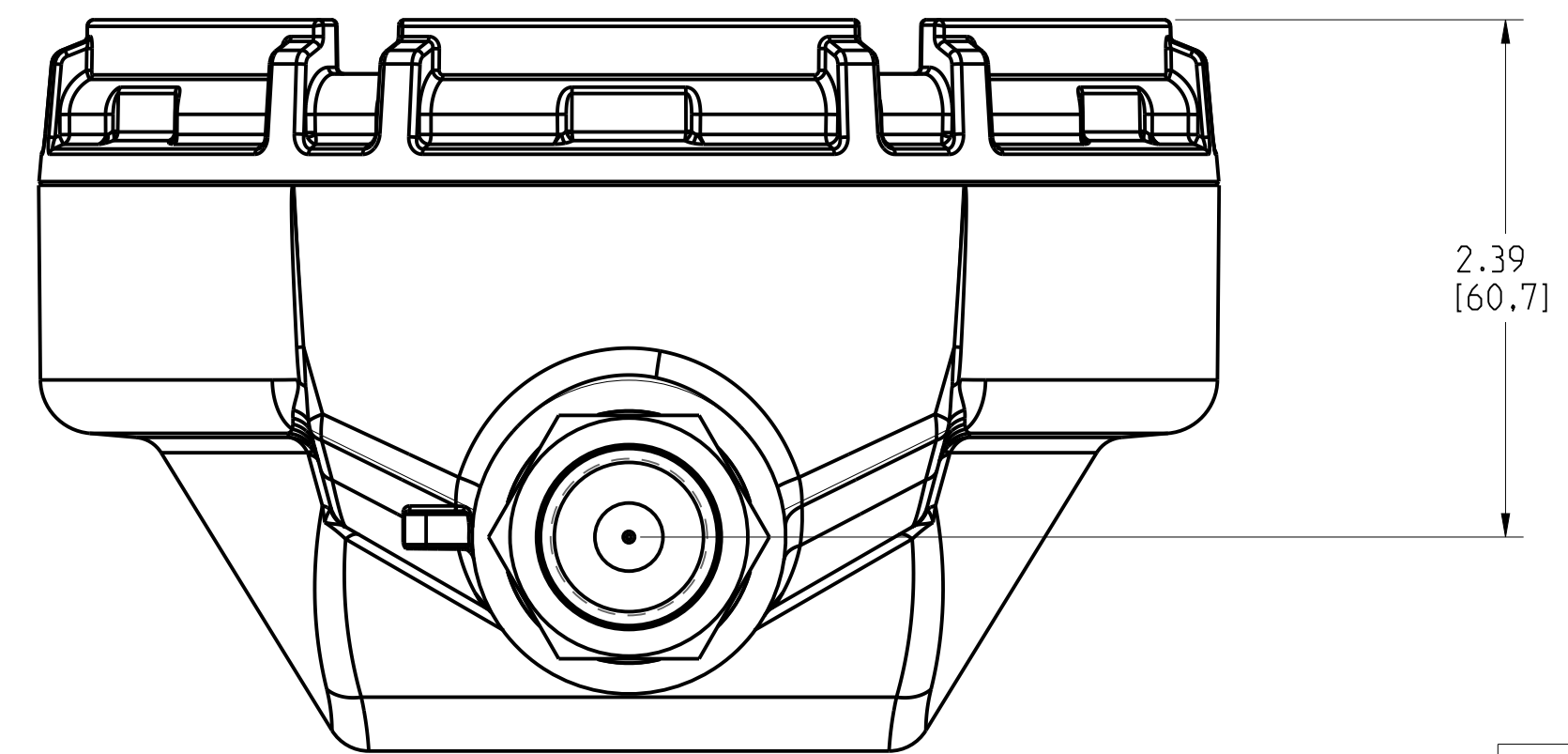
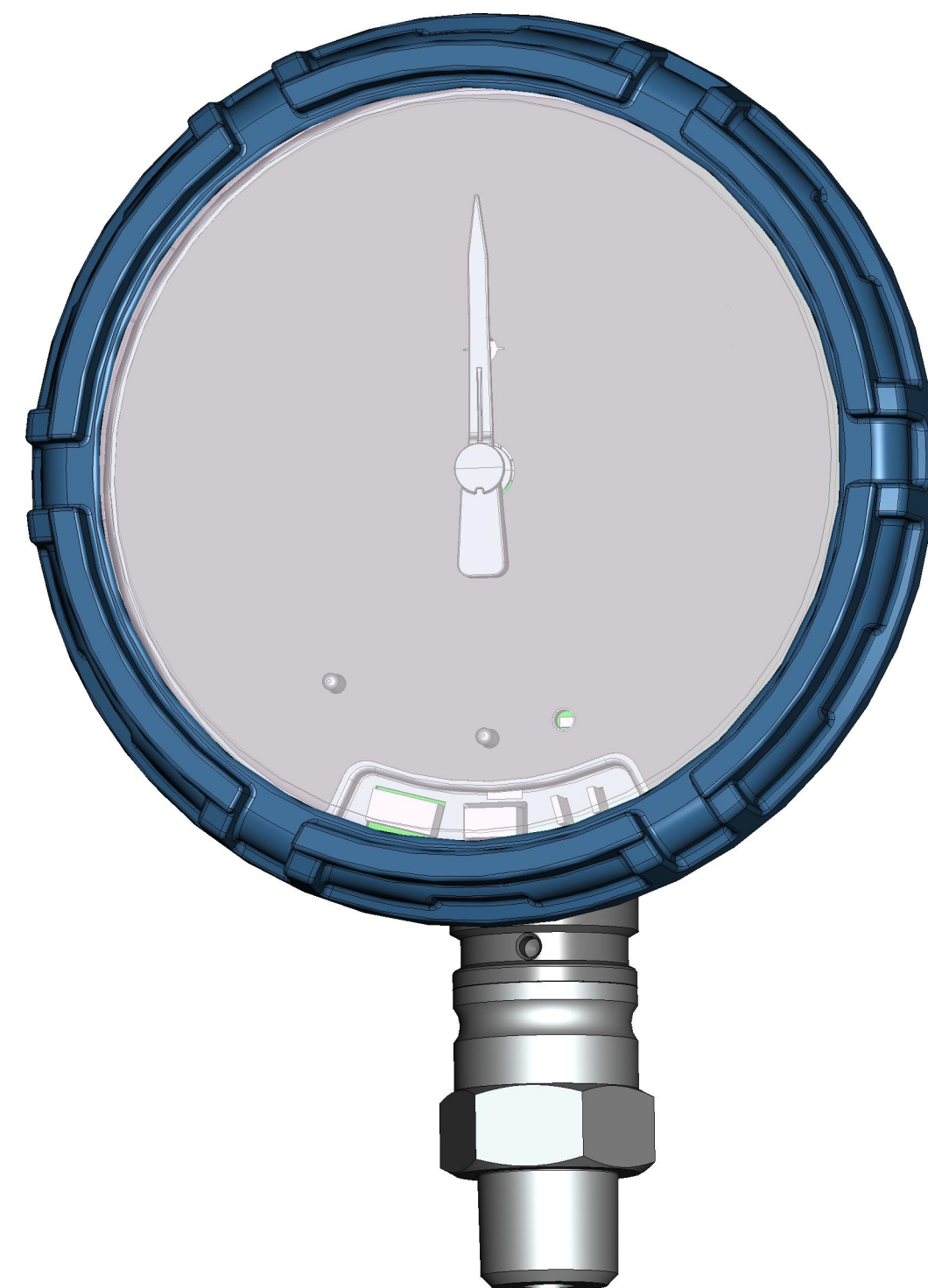


ROSEMOUNT WPG WIRELESS PRESSURE GAUGE
1/2 INCH PROCESS CONNECTION SHOWN

REVISION TABLE			
REVISION	ECO NO.	APP'D	DATE
AD	RTC1074573	L woolery	1/20/20
DESCRIPTION			
ADD LEVEL FLANGES			



1/2" NPT



©2015 ROSEMOUNT, INC.
ROSEMOUNT AND CLEARVIEW
ARE TRADEMARKS OF ROSEMOUNT
ENGINEERING IN ACCORDANCE WITH
ROSEMOUNT ENGINEERING
SPECIFICATIONS.
UNIT NOTES IN INCHES (mm).

REFERENCE ROSEMOUNT
PRODUCT SPECIFICATIONS.
CLICK HERE

3RD ANGLE

EMERSON

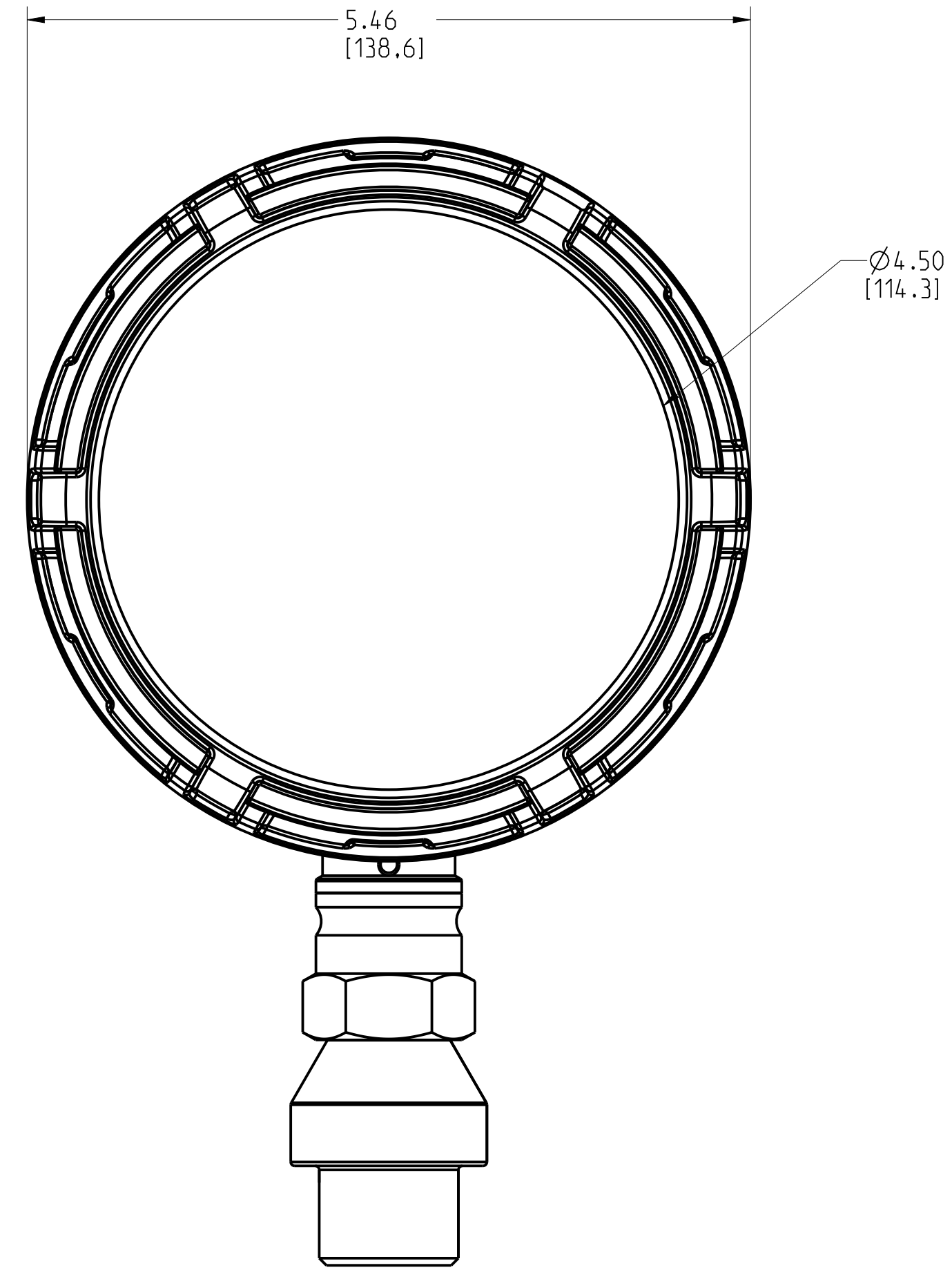
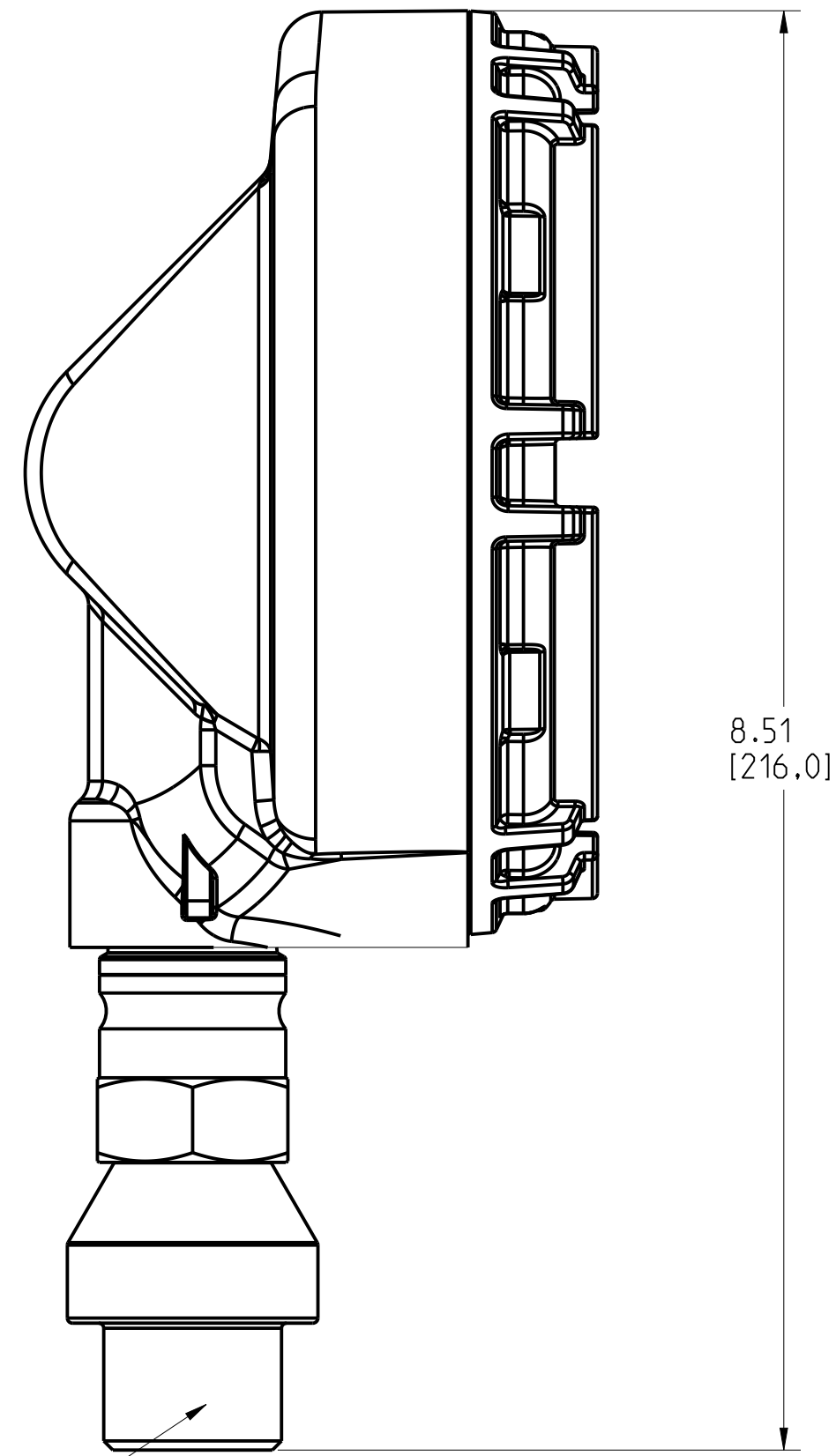
TITLE
ROSEMOUNT WPG
TYPE I DRAWING

DR. J. ARMSTRONG 5/19/16 DRAWING NO.
APP'D J. VANDERAA 5/2016

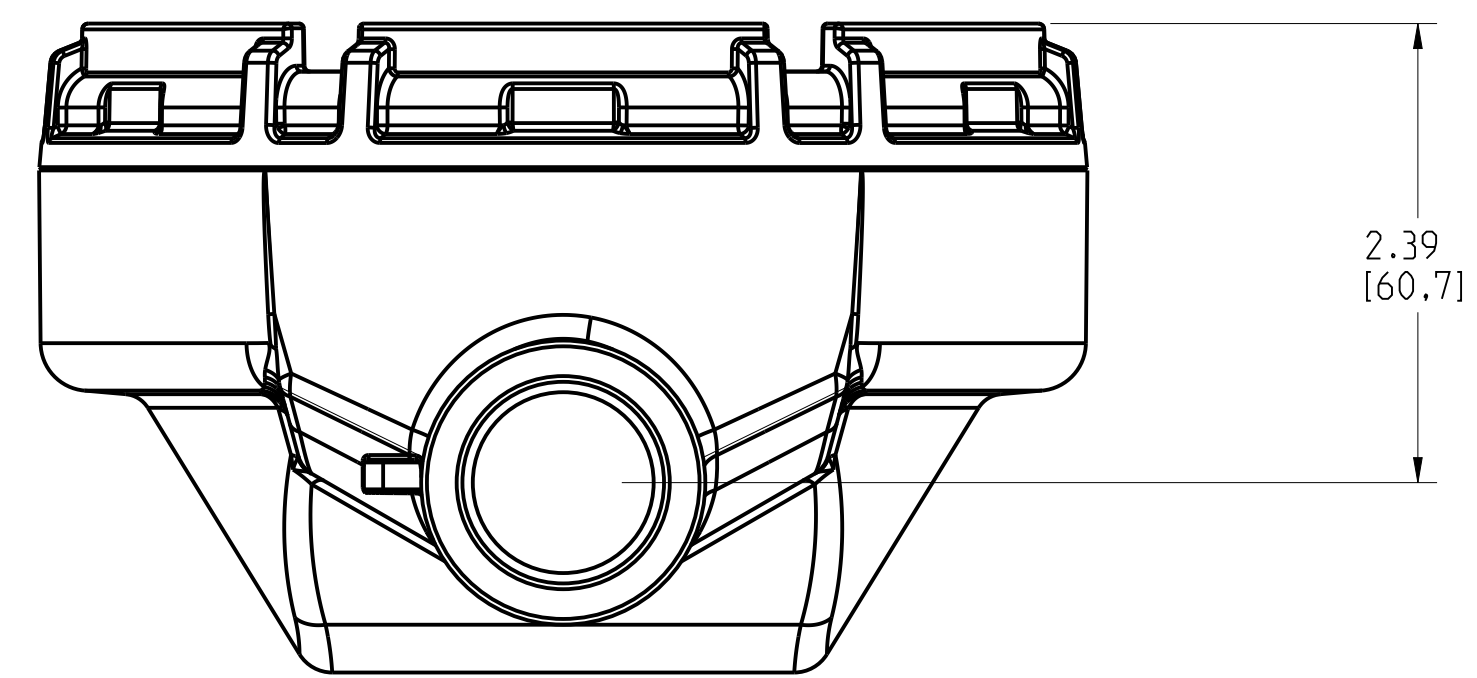
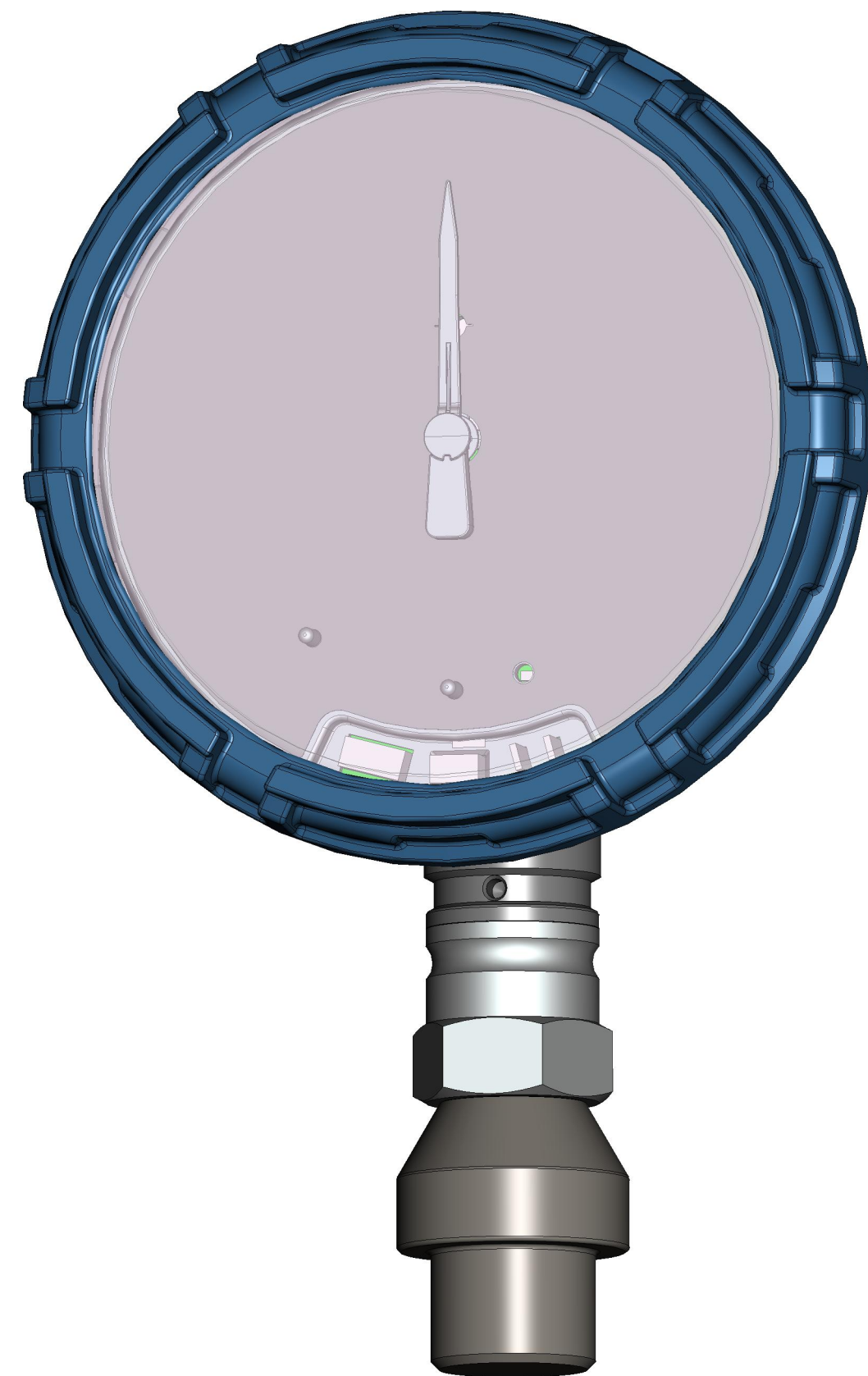
WPG-7000

CAD MAINTAINED (PRO/EI) SHEET 1 OF 5

ROSEMOUNT WPG WIRELESS PRESSURE GAUGE
3/4 INCH PROCESS CONECTION



3/4" NPT



©2015 ROSEMOUNT, INC.
ROSEMOUNT AND ALL OTHER TRADE NAMES
IN THIS DRAWING ARE USED IN
ACCORDANCE WITH
ROSEMOUNT ENGINEERING
SPECIFICATIONS.
UNIT NOTES IN INCHES (mm).

REFERENCE ROSEMOUNT
PRODUCT SPECIFICATIONS.
CLICK HERE

3RD ANGLE

EMERSON

TITLE
ROSEMOUNT WPG
TYPE I DRAWING

DR. J. ARMSTRONG 5/19/16 DRAWING NO.
APP'D J. VANDERAA 5/2016

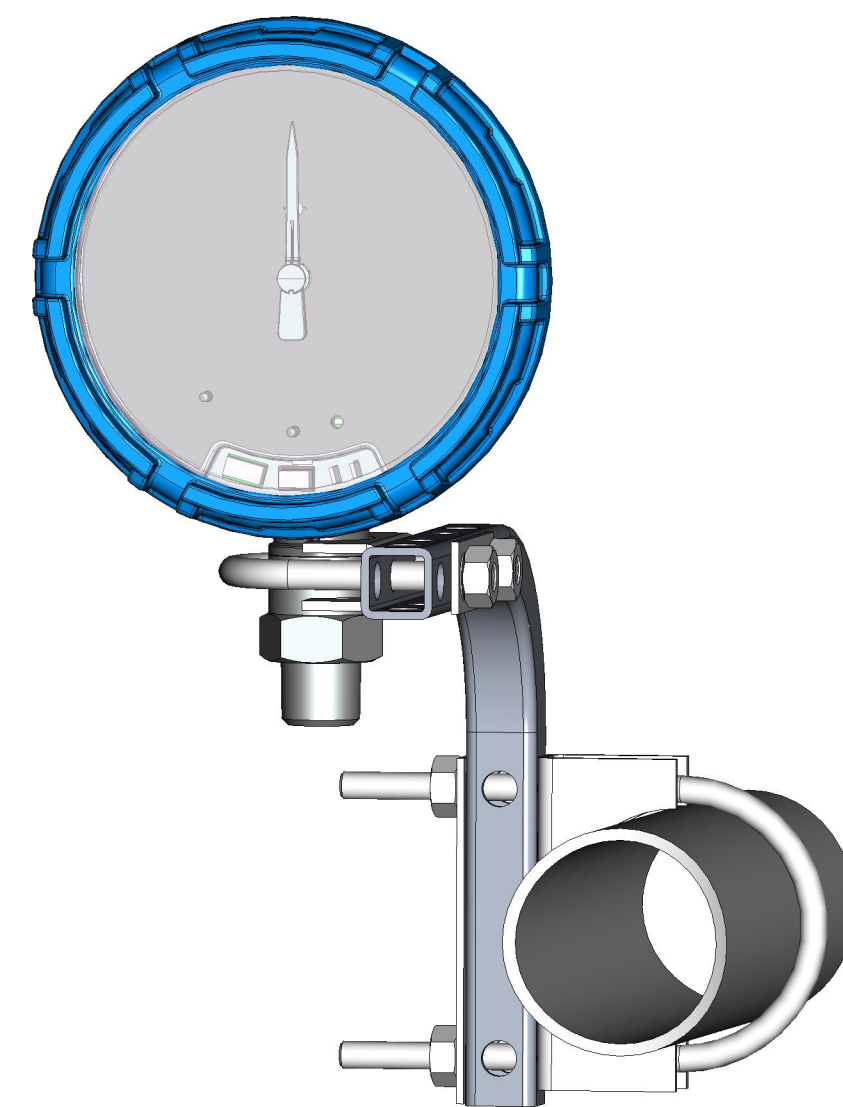
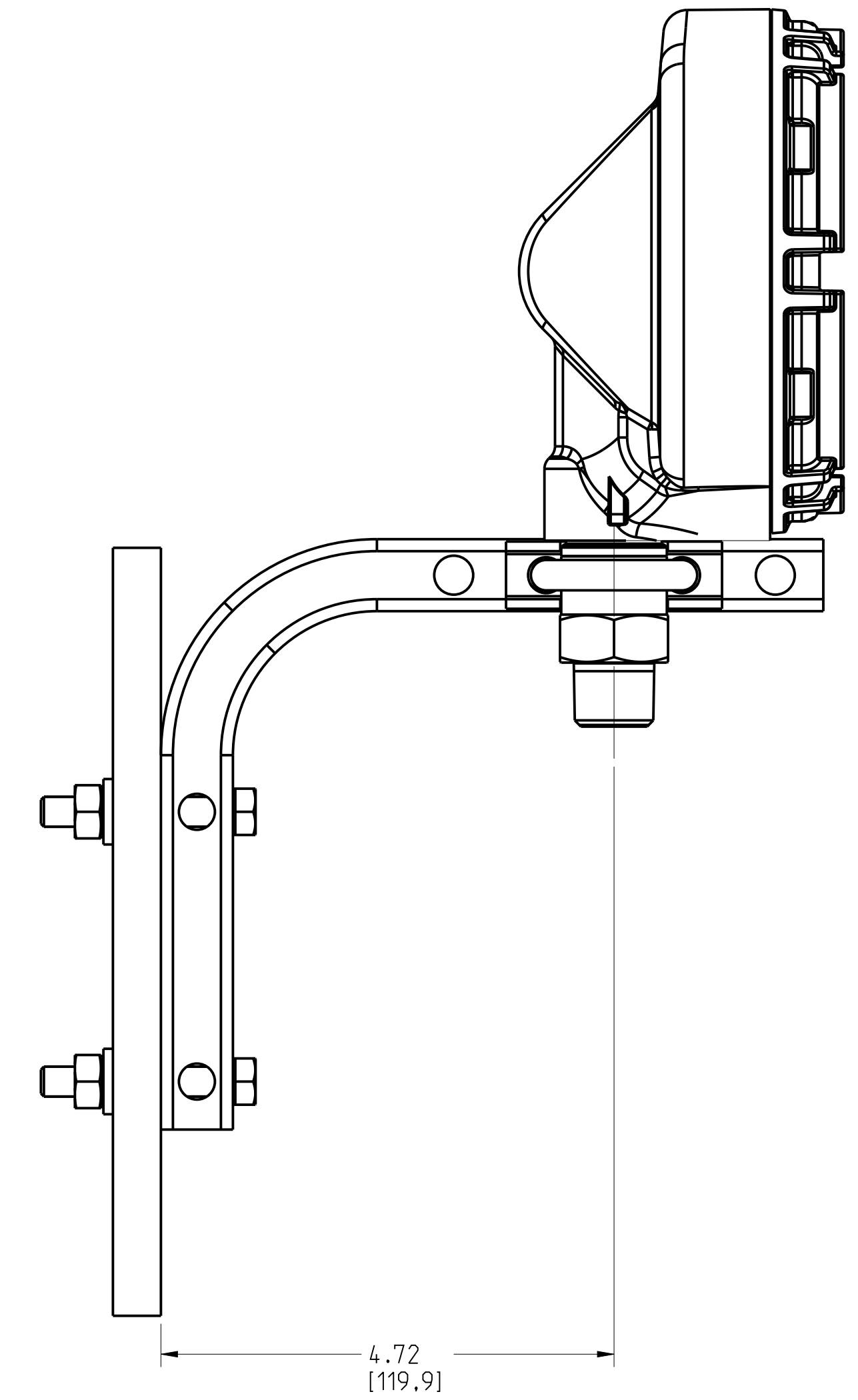
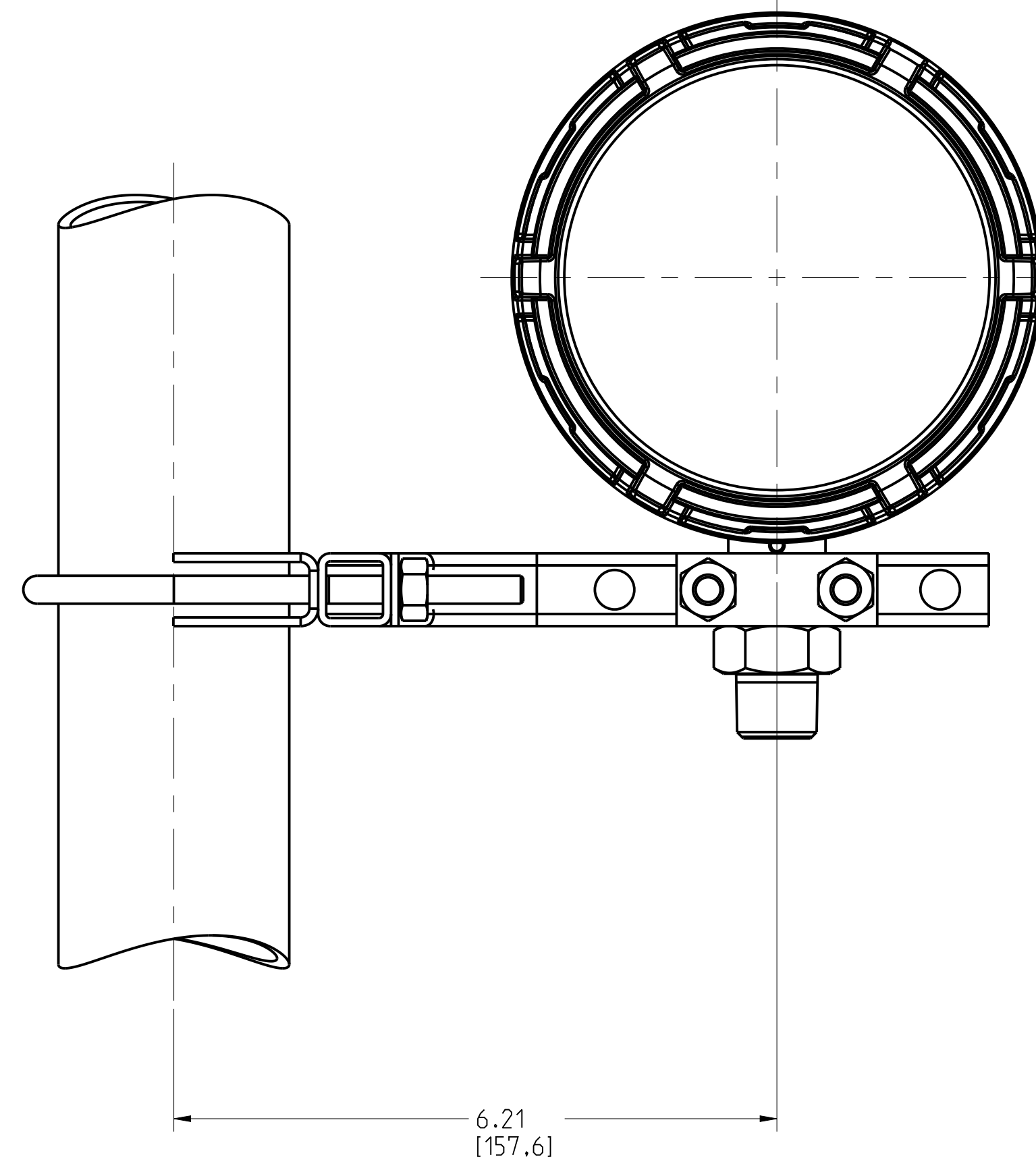
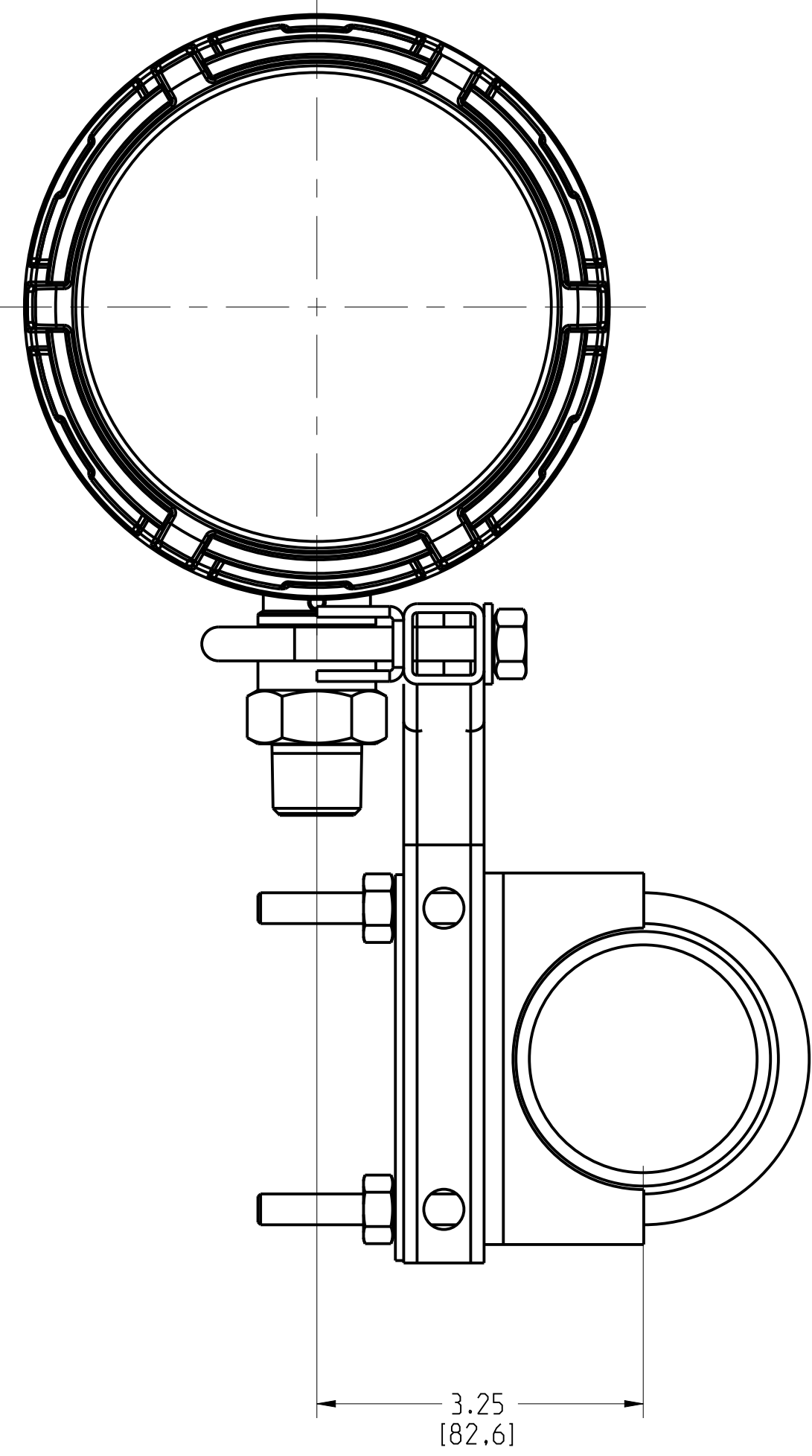
WPG-7000

CAD MAINTAINED (PRO/EI) SHEET 2 OF 5

ROSEMOUNT WPG WIRELESS PRESSURE GAUGE
MOUNTING CONFIGURATIONS (B4 BRACKET)

PIPE MOUNTING

PANEL MOUNTING



©2015 ROSEMOUNT, INC. ALL RIGHTS RESERVED. THIS DRAWING IS THE PROPERTY OF ROSEMOUNT, INC. AND IS TO BE USED IN ACCORDANCE WITH THE SPECIFICATIONS AND NOTES. UNITS: INCHES (DIMENSIONS IN MILLIMETERS). REFER TO THE ROSEMOUNT WPG PRODUCT SPECIFICATIONS FOR MORE INFORMATION. CLICK HERE

EMERSON

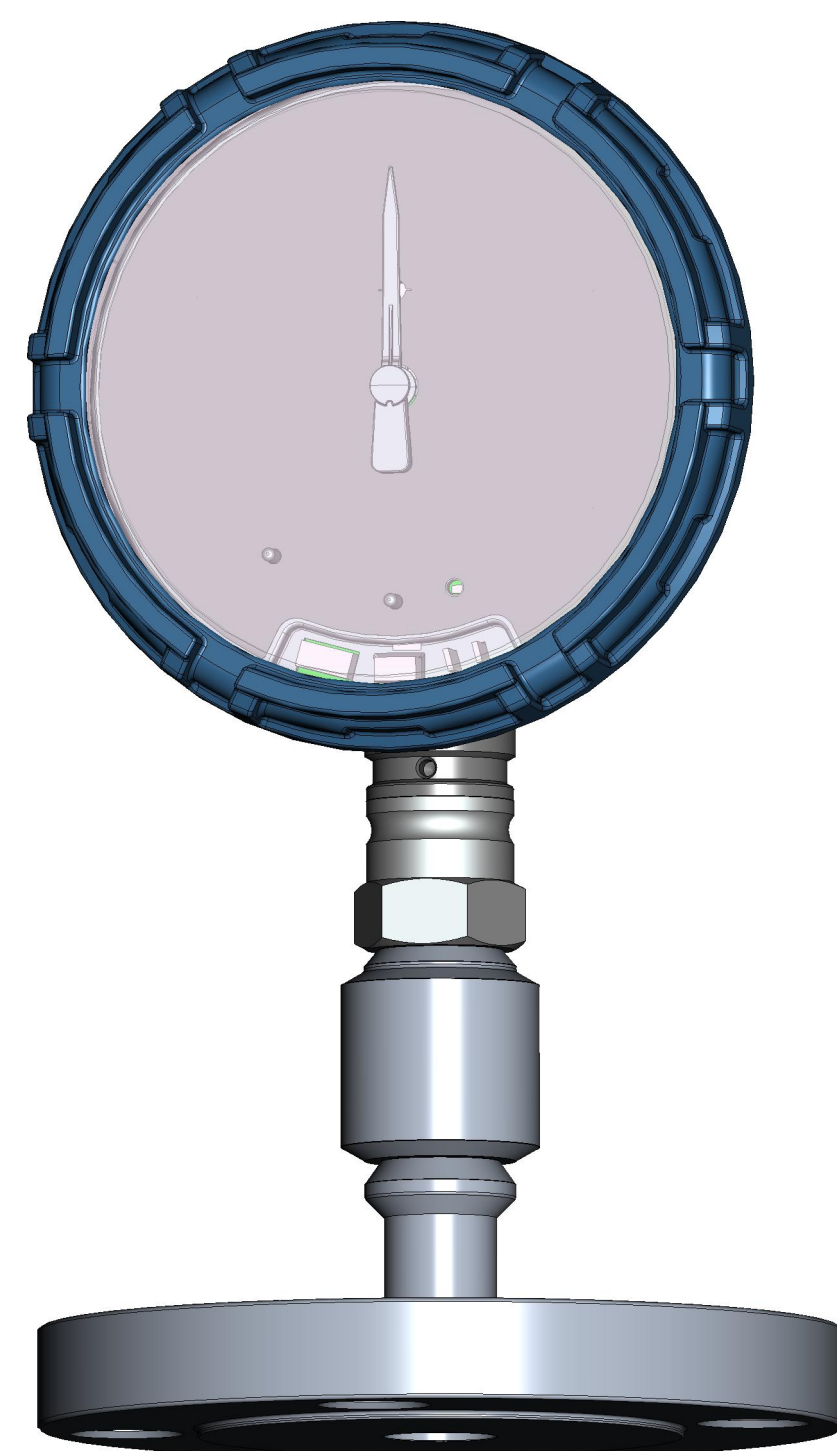
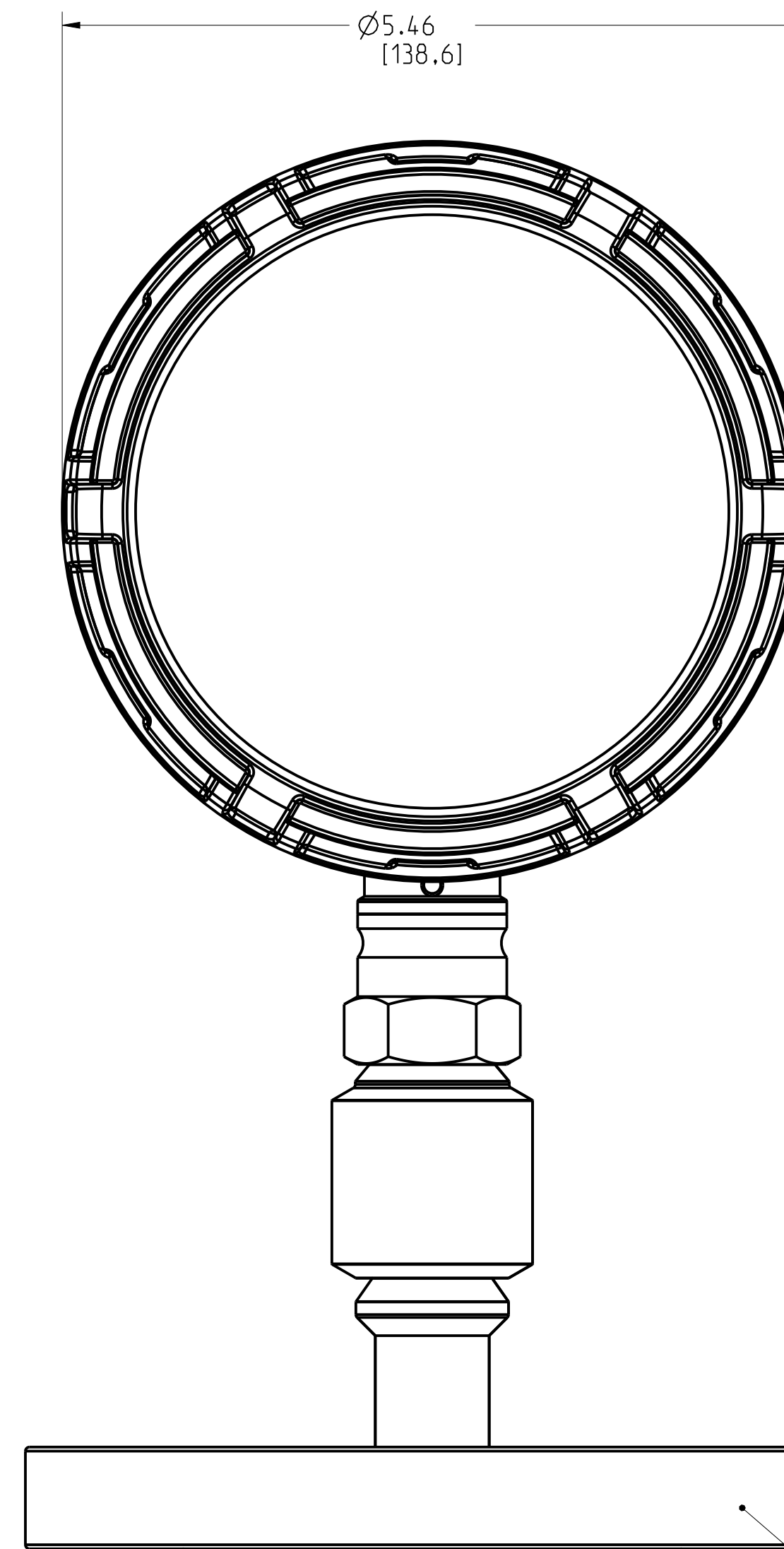
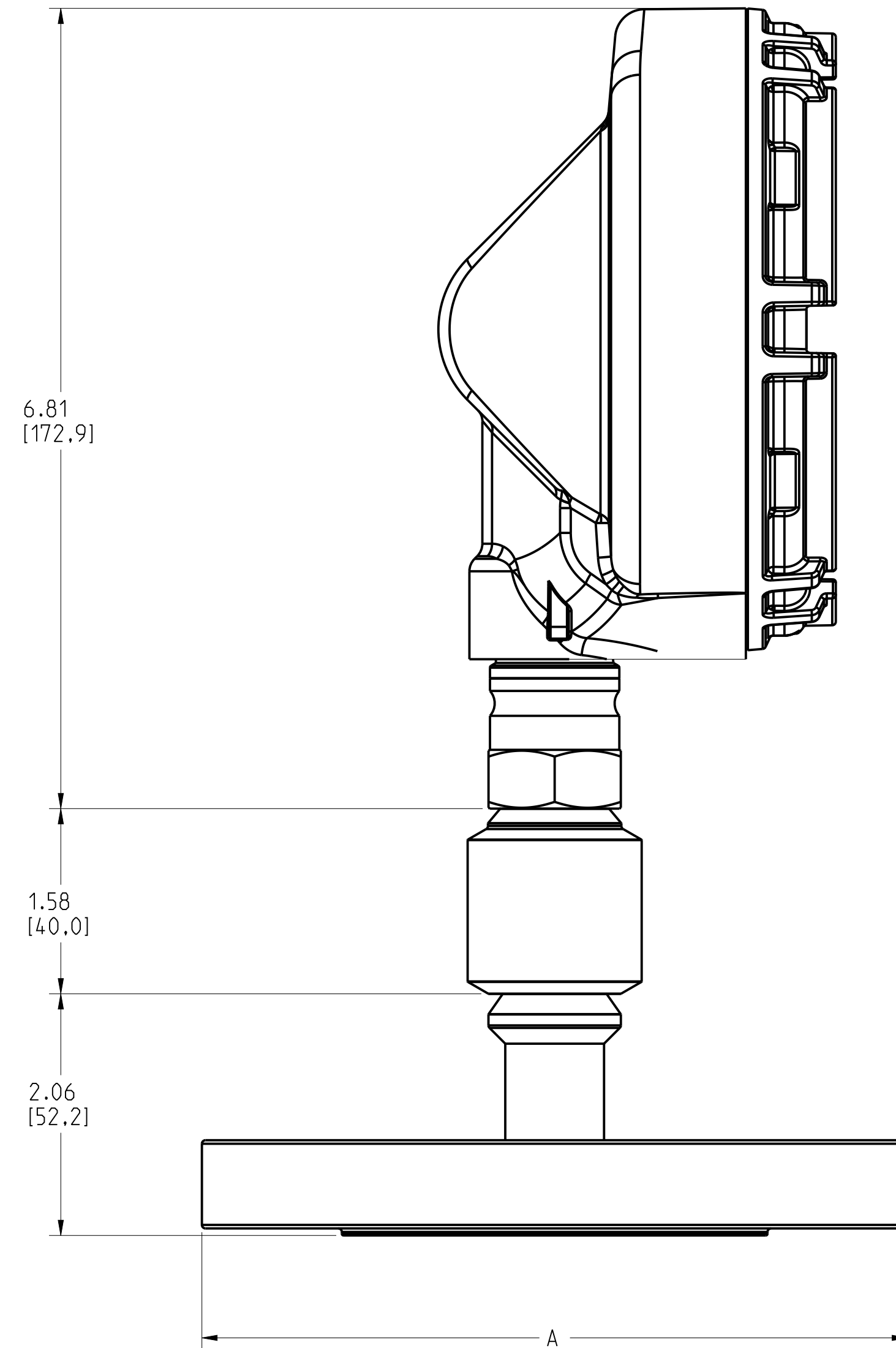
TITLE: ROSEMOUNT WPG TYPE I DRAWING

DR. J. ARMSTRONG 5/19/16 DRAWING NO. WPG-7000

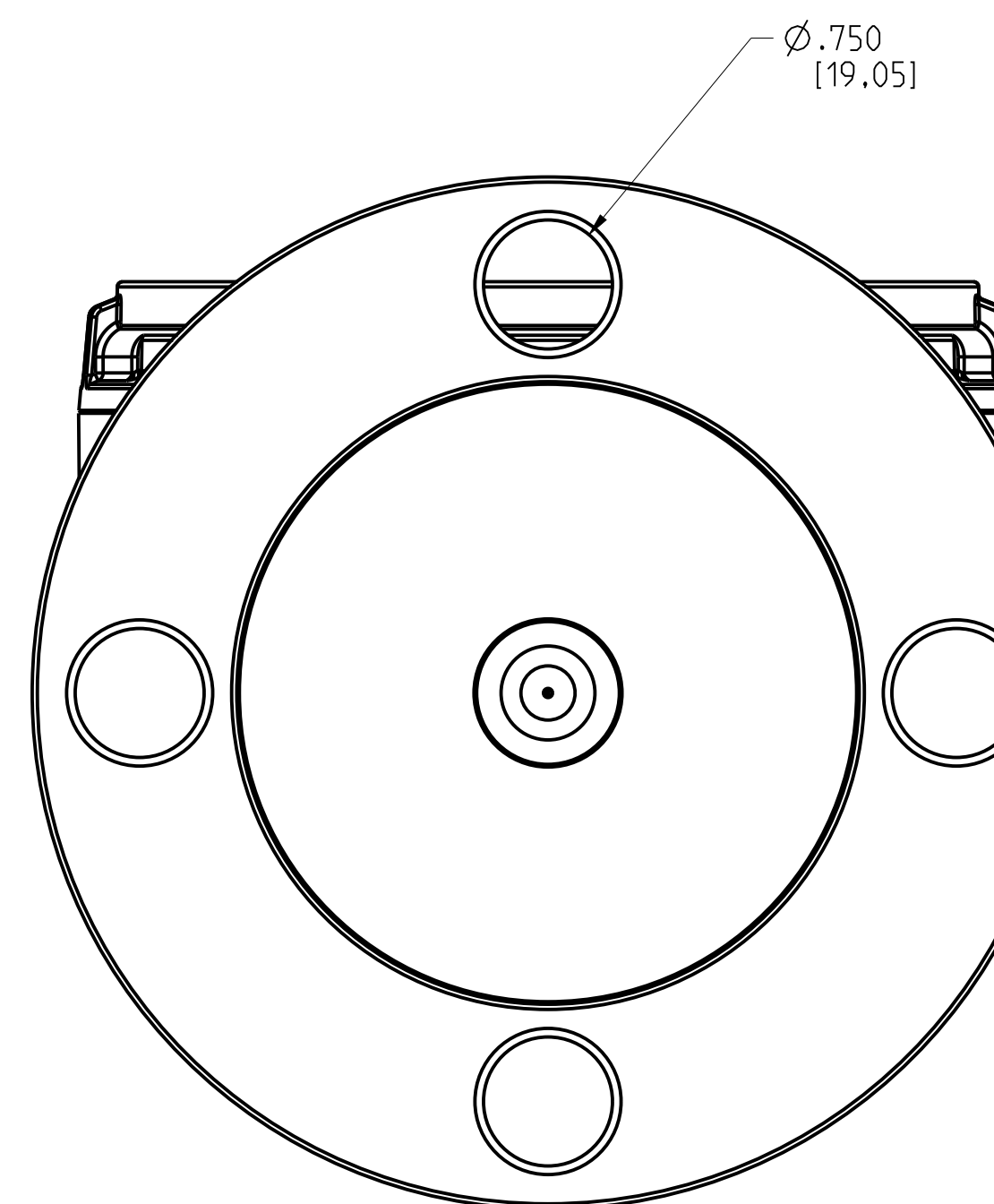
APP'D J. VANDERAA 5/2016

CAD MAINTAINED: (PRO/EI) SHEET 3 OF 5

ROSEMOUNT WPG WIRELESS PRESSURE GAUGE
WITH WELDED LEVEL FLANGE



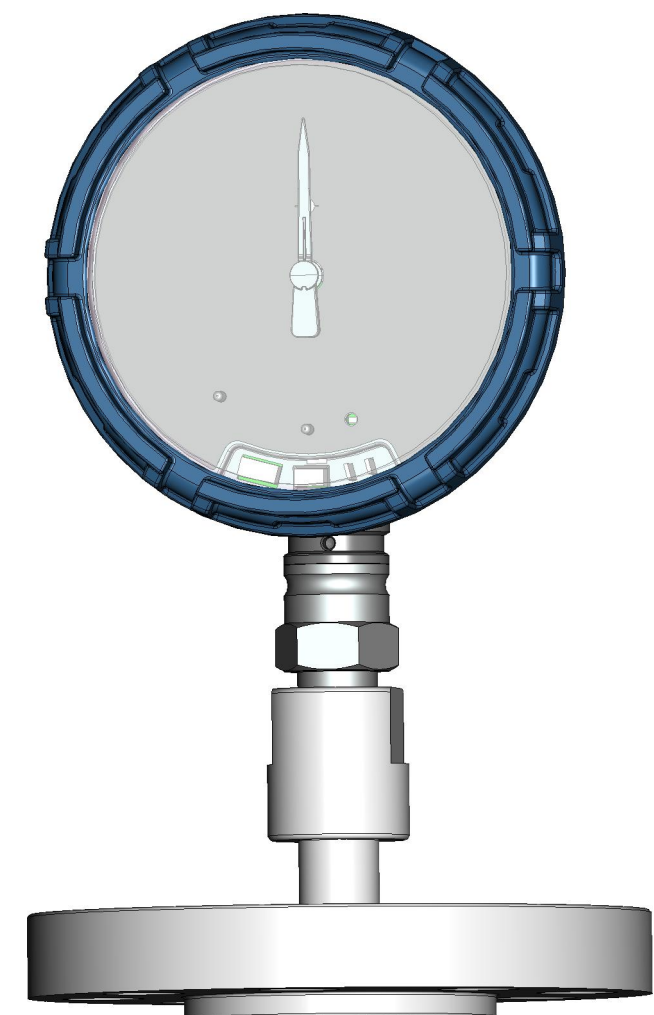
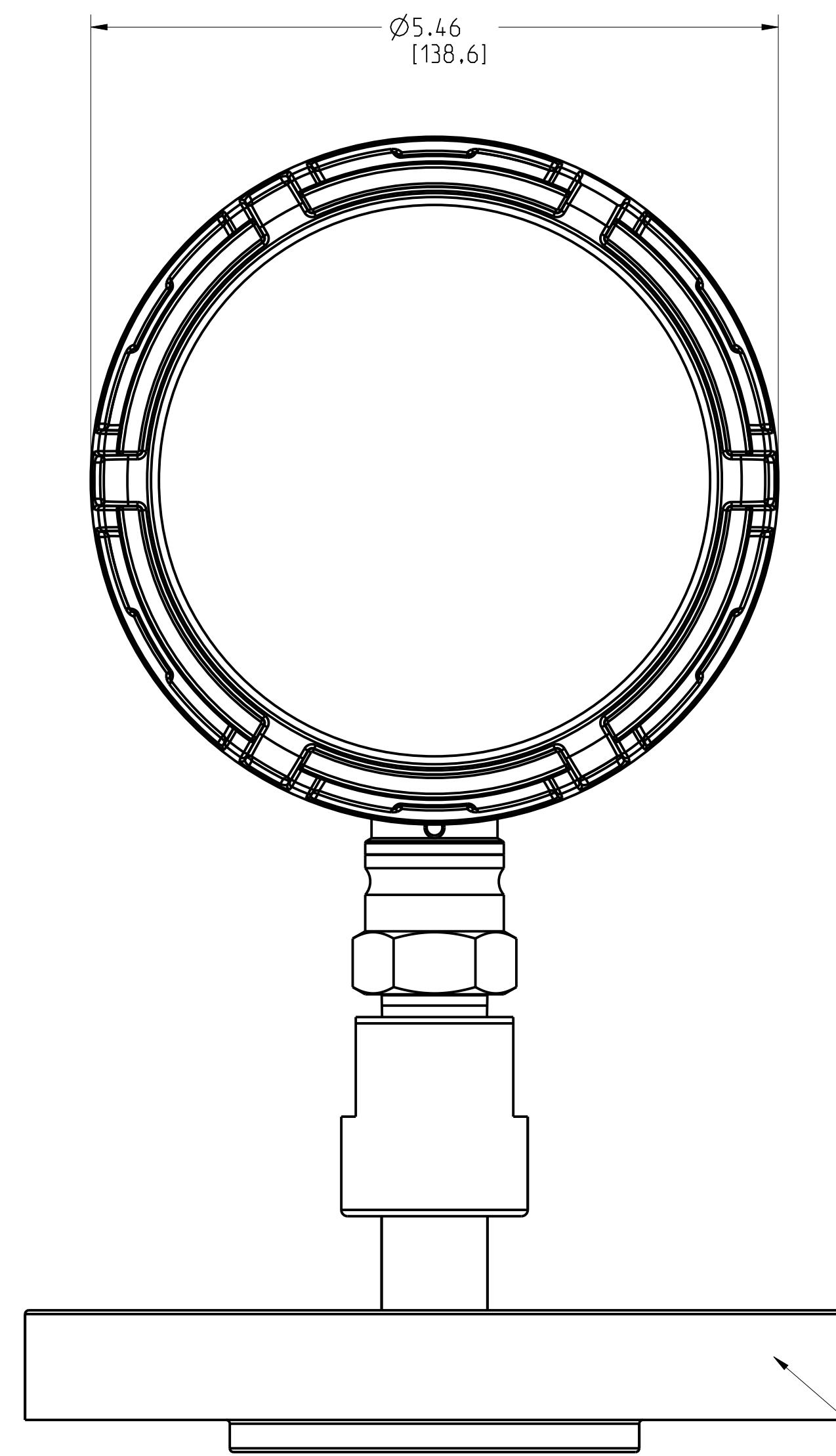
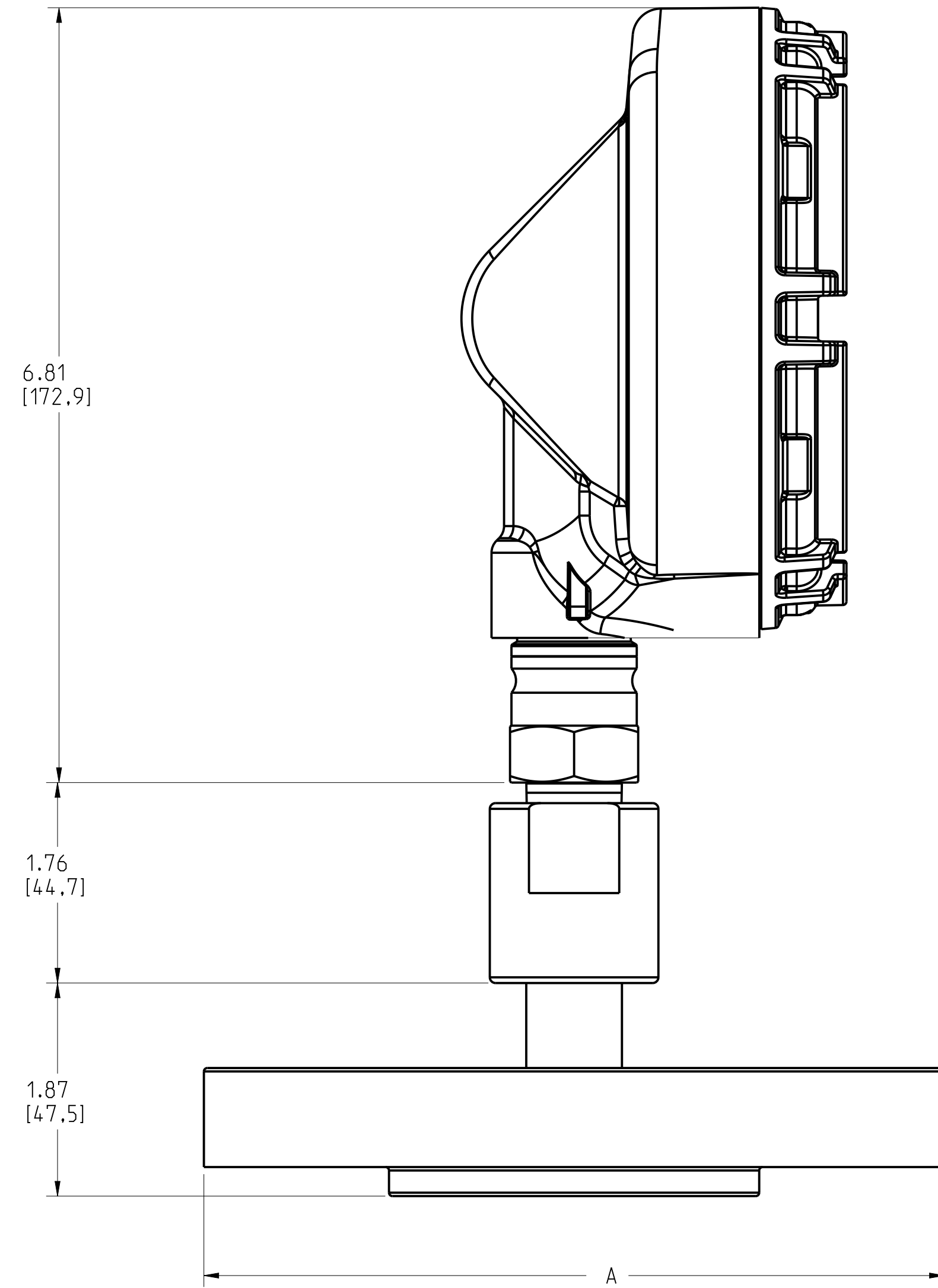
FLANGE SIZE	DIM A
1" 150#	4.25 [107.9]
1" 300#	4.88 [123.9]
2" 150#	6.00 [152.4]
2" 300#	6.50 [165]
3" 150#	7.50 [190.5]
3" 300#	8.50 [209.6]
DIN-DN 50	6.50 [165]
DIN-DN 80	7.87 [199.9]



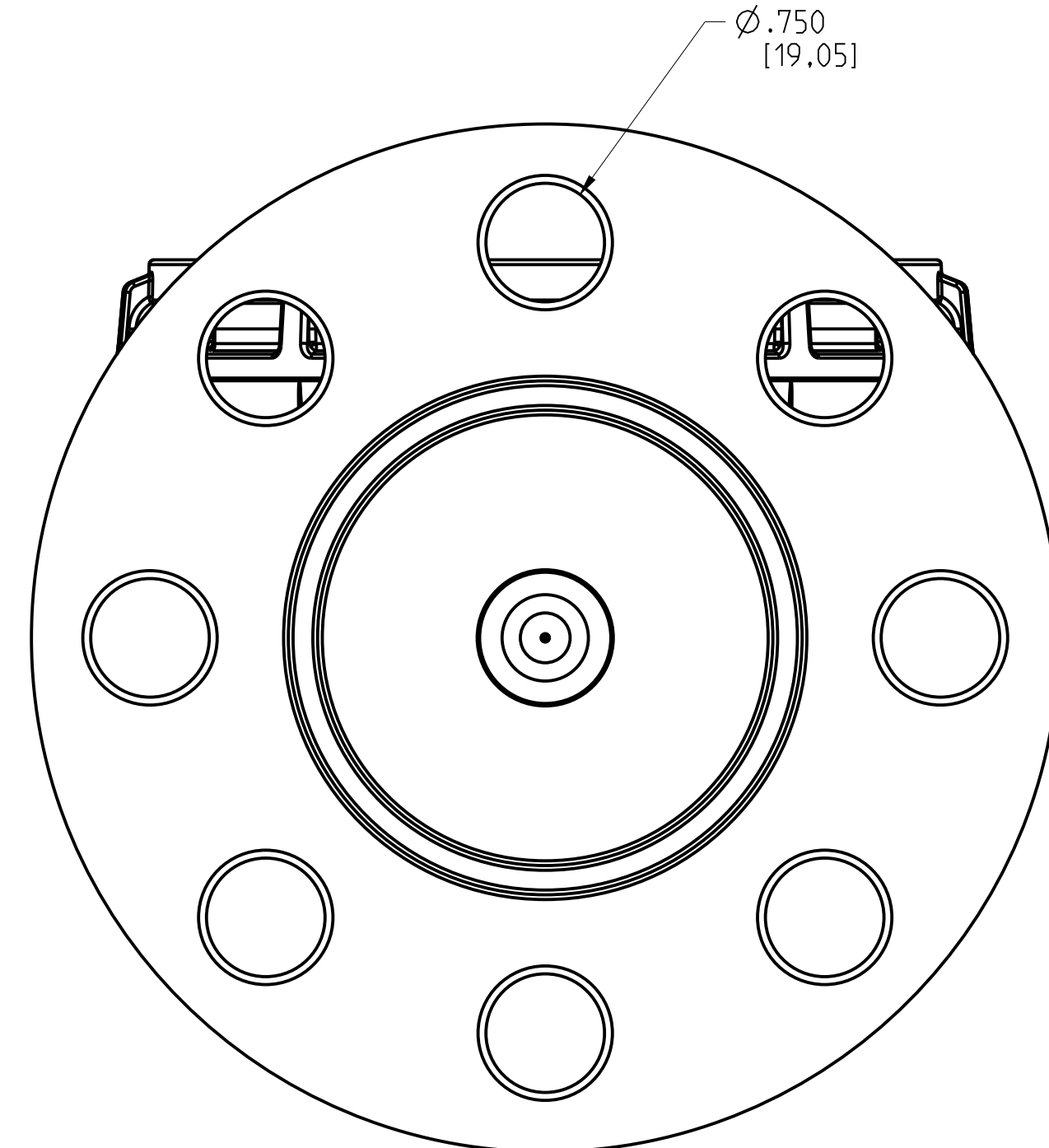
©2015 ROSEMOUNT, INC.
ROSEMOUNT AND ALL OTHER
TRADEMARKS ARE USED IN
ACCORDANCE WITH
ROSEMOUNT ENGINEERING
SPECIFICATIONS.
UNIT NOTES IN INCHES (mm).
REFERENCE ROSEMOUNT
PRODUCT SPECIFICATIONS.
CLICK HERE

		3RD ANGLE		SIZE D	SCALE NTS
ROSEMOUNT WPG TYPE I DRAWING					
DR. J. ARMSTRONG	5/19/16	DRAWING NO.		WPG-7000	
APP'D J. VANDERAA	5/2016			SHEET 4 OF 5	
CAD MAINTAINED (PRO/E)					

ROSEMOUNT WPG WIRELESS PRESSURE GAUGE
WITH THREADED LEVEL FLANGE



FLANGE SIZE	DIM A
1" 150#	4.25 [107.9]
1" 300#	4.88 [123.9]
2" 150#	6.00 [152.4]
2" 300#	6.50 [165]
3" 150#	7.50 [190.5]
3" 300#	8.50 [209.6]
DIN-DN 50	6.50 [165]
DIN-DN 80	7.87 [199.9]



3-IN. ANSI CLASS 300
FLANGE SHOWN

©2015 ROSEMOUNT, INC.
ROSEMOUNT AND ALL OTHER
TRADEMARKS ARE REGISTERED IN
THESE DRAWINGS IN ACCORDANCE WITH
ROSEMOUNT ENGINEERING
SPECIFICATIONS.
UNIT NOTES IN INCHES (mm).

REFERENCE ROSEMOUNT
PRODUCT SPECIFICATIONS.
CLICK HERE

3RD ANGLE

EMERSON

TITLE
**ROSEMOUNT WPG
TYPE I DRAWING**

DR. J. ARMSTRONG 5/19/16 DRAWING NO.
APP'D J. VANDERAA 5/20/16

WPG-7000

CAD MAINTAINED (PRO/EI) SHEET 5 OF 5