

4

3

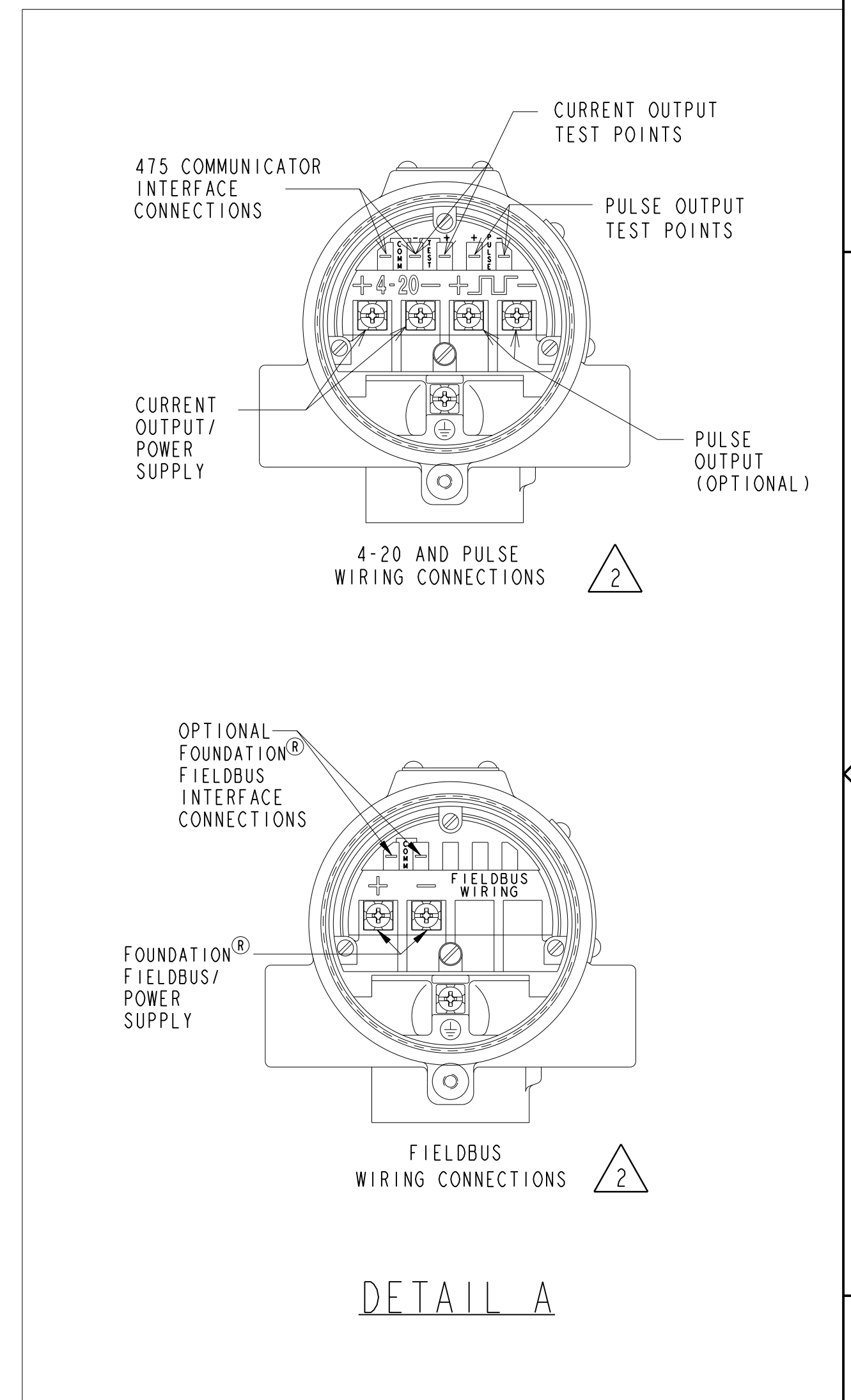
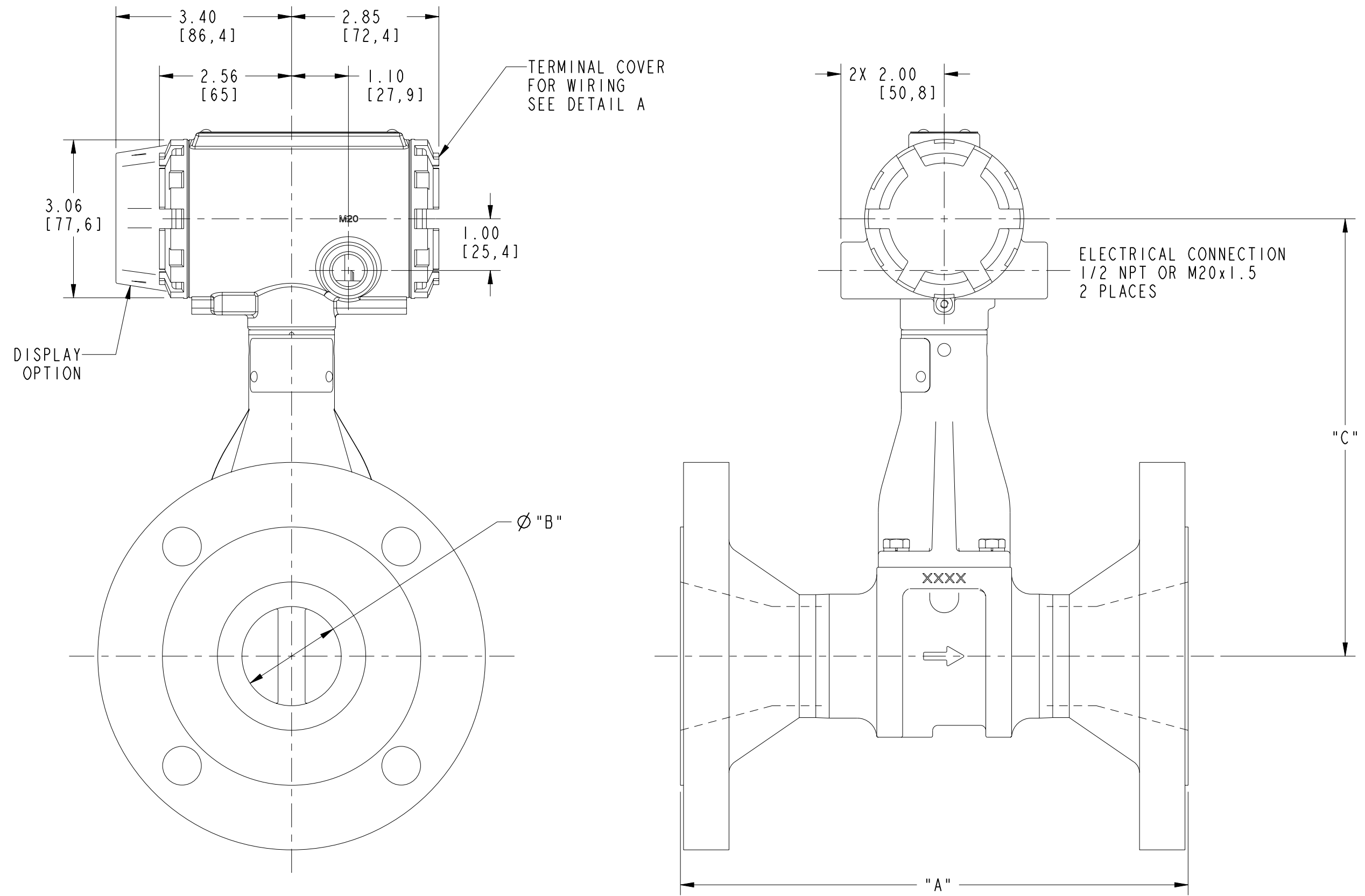
2

1

TABULATION	
DASH NO.	

REVISIONS				
REV	DESCRIPTION	ECO NO.	APP'D	DATE
AP	CHANGE 3.20 TO 3.40 ON DISPLAY COVER	RTC1055895	R.B.	1/17/13

1" THRU 14" REDUCER FLANGE



- 3. ROSEMOUNT CERTIFIES THESE DRAWINGS ARE IN ACCORDANCE WITH ROSEMOUNT ENGINEERING SPECIFICATIONS AND ACCURATELY REPRESENT THE EQUIPMENT FURNISHED.
- 2. REFERENCE INSTRUCTION MANUAL FOR DETAIL INSTALLATION INFORMATION AND WIRING CONNECTIONS, ALL MODELS.
- 1. DIMENSIONS ARE IN INCHES. DIMENSIONS SHOWN IN PARENTHESIS ARE IN MILLIMETERS.

CONFIDENTIAL AND PROPRIETARY INFORMATION IS CONTAINED HEREIN AND MUST BE HANDLED ACCORDINGLY.	UNLESS OTHERWISE SPECIFIED DIMENSIONS IN INCHES (mm). REMOVE ALL BURRS AND SHARP EDGES. MACHINE SURFACE FINISH 125.					
	-TOLERANCES- .X ± .1 [2,5] .XX ± .02 [0,5] .XXX ± .010 [0,25]		TITLE INSTALLATION DRAWING FOR 8800 REDUCER VORTEX FLOWMETER		DR. D. BROKKE 1/25/10 SIZE C DRAWING NO. 88800-0009	
	FRACTIONS ± 1/32 ANGLES ± 2° DO NOT SCALE PRINT		APP'D C. BRAND 1/25/10		REV AP	
			CAD MAINTAINED, (PRO/E)		SHEET 1 OF 4	

NOMINAL SIZE		A ±.16 [4,1] INCH [mm]	A ±.16 [4,1] ANSI RTJ INCH [mm]	ØB ±.03 [0,8] INCH [mm]	C ±.20 [5,1] INCH [mm]	WEIGHT LB [kg]
1 IN METER DN25	150 LB	7.5 [191]	8.0 [203]	.54 [13,7]	7.6 [193]	11.6 [5,2]
	300 LB	8.0 [203]	8.5 [216]	.54 [13,7]	7.6 [193]	14.2 [6,4]
	600 LB	8.5 [216]	8.5 [216]	.54 [13,7]	7.6 [193]	15.1 [6,9]
	900 LB	9.4 [239]	9.4 [239]	.54 [13,7]	7.6 [193]	20.7 [9,4]
	PN16/40	6.2 [157]	--	.54 [13,7]	7.6 [193]	12.6 [5,7]
	PN100	7.7 [196]	--	.54 [13,7]	7.6 [193]	18.4 [8,4]
	JIS 10K/20K	--	--	--	--	--
JIS 40K	--	--	--	--	--	
1.5 IN METER DN40	150 LB	8.2 [208]	8.7 [221]	.95 [24,1]	7.7 [196]	15.8 [7,2]
	300 LB	8.7 [221]	9.2 [234]	.95 [24,1]	7.7 [196]	21.2 [9,6]
	600 LB	9.3 [236]	9.3 [236]	.95 [24,1]	7.7 [196]	23.8 [10,8]
	900 LB	10.3 [262]	10.3 [262]	.95 [24,1]	7.7 [196]	35.0 [15,9]
	PN16/40	6.9 [175]	--	.95 [24,1]	7.7 [196]	17.5 [7,9]
	PN100	8.2 [208]	--	.95 [24,1]	7.7 [196]	26.2 [11,9]
	PN160	8.4 [213]	--	.95 [24,1]	7.7 [196]	27.7 [12,6]
	JIS 10K/20K	--	--	--	--	--
	JIS 40K	--	--	--	--	--
2 IN METER DN50	150 LB	9.2 [234]	9.7 [246]	1.49 [37,8]	8.1 [206]	22.6 [10,3]
	300 LB	9.7 [246]	10.4 [264]	1.49 [37,8]	8.1 [206]	26.8 [12,1]
	600 LB	10.5 [267]	10.6 [269]	1.49 [37,8]	8.1 [206]	30.6 [13,9]
	900 LB	12.7 [323]	12.9 [328]	1.49 [37,8]	8.1 [206]	60.8 [27,6]
	PN16/40	8.0 [203]	--	1.49 [37,8]	8.1 [206]	23.5 [10,7]
	PN63/64	9.1 [231]	--	1.49 [37,8]	8.1 [206]	31.3 [14,2]
	PN100	9.6 [244]	--	1.49 [37,8]	8.1 [206]	37.2 [16,9]
	PN160	10.2 [259]	--	1.49 [37,8]	8.1 [206]	39.6 [18,0]
	JIS 10K	--	--	--	--	--
	JIS 20K	--	--	--	--	--
	JIS 40K	--	--	--	--	--
3 IN METER DN80	150 LB	9.9 [251]	10.4 [264]	1.92 [48,8]	8.5 [216]	33.2 [15,0]
	300 LB	10.6 [269]	11.2 [284]	1.92 [48,8]	8.5 [216]	42.7 [19,4]
	600 LB	11.4 [290]	11.5 [292]	1.92 [48,8]	8.5 [216]	49.5 [22,4]
	900 LB	12.9 [328]	13.0 [330]	1.92 [48,8]	8.5 [216]	73.3 [33,2]
	PN16/40	8.9 [226]	--	1.92 [48,8]	8.5 [216]	33.3 [15,1]
	PN63/64	10.0 [254]	--	1.92 [48,8]	8.5 [216]	42.4 [19,3]
	PN100	10.5 [267]	--	1.92 [48,8]	8.5 [216]	52.2 [23,7]
	PN160	11.1 [282]	--	1.92 [48,8]	8.5 [216]	57.9 [26,3]
	JIS 10K	--	--	--	--	--
	JIS 20K	--	--	--	--	--
JIS 40K	--	--	--	--	--	
4 IN METER DN100	150 LB	10.3 [262]	10.8 [274]	2.87 [72,9]	9.1 [231]	46.3 [21,0]
	300 LB	11.0 [279]	11.6 [295]	2.87 [72,9]	9.1 [231]	67.0 [30,4]
	600 LB	12.8 [325]	12.9 [328]	2.87 [72,9]	9.1 [231]	94.3 [42,8]
	900 LB	13.8 [351]	13.9 [353]	2.87 [72,9]	9.1 [231]	118.0 [53,5]
	PN16	8.4 [213]	--	2.87 [72,9]	9.1 [231]	36.4 [16,5]
	PN40	9.4 [239]	--	2.87 [72,9]	9.1 [231]	45.9 [20,8]
	PN63/64	10.4 [264]	--	2.87 [72,9]	9.1 [231]	59.7 [27,1]
	PN100	11.3 [287]	--	2.87 [72,9]	9.1 [231]	76.7 [34,8]
	PN160	12.1 [307]	--	2.87 [72,9]	9.1 [231]	84.7 [38,4]
	JIS 10K	--	--	--	--	--
	JIS 20K	--	--	--	--	--
JIS 40K	--	--	--	--	--	

NOMINAL SIZE		A ±.16 [4,1] INCH [mm]	A ±.16 [4,1] ANSI RTJ INCH [mm]	ØB ±.03 [0,8] INCH [mm]	C ±.20 [5,1] INCH [mm]	WEIGHT LB [kg]
6 IN METER DN150	150 LB	11.6 [295]	12.1 [307]	3.79 [96,3]	9.6 [244]	70.3 [31,9]
	300 LB	12.3 [312]	13.0 [330]	3.79 [96,3]	9.6 [244]	113.1 [51,3]
	600 LB	14.3 [363]	14.4 [366]	3.79 [96,3]	9.6 [244]	185.1 [84,0]
	900 LB	16.1 [409]	16.2 [411]	3.79 [96,3]	9.6 [244]	246.3 [111,7]
	PN16	8.9 [226]	--	3.79 [96,3]	9.6 [244]	59.2 [26,9]
	PN40	10.5 [267]	--	3.79 [96,3]	9.6 [244]	81.9 [37,2]
	PN63/64	12.1 [307]	--	3.79 [96,3]	9.6 [244]	125.4 [56,9]
	PN100	13.6 [345]	--	3.79 [96,3]	9.6 [244]	162.3 [73,6]
	PN160	14.7 [373]	--	3.79 [96,3]	9.6 [244]	187.9 [85,2]
	JIS 10K	--	--	--	--	--
JIS 20K	--	--	--	--	--	
JIS 40K	--	--	--	--	--	
8 IN METER DN200	150 LB	13.5 [343]	14.0 [356]	5.70 [144,8]	10.8 [274]	124 [56]
	300 LB	14.3 [363]	14.9 [378]	5.70 [144,8]	10.8 [274]	186 [84]
	600 LB	16.5 [419]	16.7 [424]	5.70 [144,8]	10.8 [274]	295 [134]
	900 LB	18.8 [478]	18.9 [480]	5.135 [130,4]	10.8 [274]	412 [185]
	PN10	10.4 [264]	--	5.70 [144,8]	10.8 [274]	91 [41]
	PN16	10.4 [264]	--	5.70 [144,8]	10.8 [274]	91 [41]
	PN25	11.8 [300]	--	5.70 [144,8]	10.8 [274]	124 [56]
	PN40	12.5 [318]	--	5.70 [144,8]	10.8 [274]	145 [66]
	PN63/64	14.2 [361]	--	5.70 [144,8]	10.8 [274]	211 [96]
	PN100	15.8 [401]	--	5.70 [144,8]	10.8 [274]	283 [128]
	JIS 10K	--	--	--	--	--
JIS 20K	--	--	--	--	--	
JIS 40K	--	--	--	--	--	
10 IN METER DN250	150 LB	14.5 [368]	15.0 [381]	7.55 [191,8]	11.7 [297]	182.4 [82,8]
	300 LB	15.8 [401]	16.4 [417]	7.55 [191,8]	11.7 [297]	281.7 [127,8]
	600 LB	19.0 [483]	19.2 [488]	7.55 [191,8]	11.7 [297]	489.9 [222,2]
	PN10	11.9 [302]	--	7.55 [191,8]	11.7 [297]	138.6 [62,9]
	PN16	12.0 [305]	--	7.55 [191,8]	11.7 [297]	148.6 [67,4]
	PN25	13.5 [343]	--	7.55 [191,8]	11.7 [297]	191.0 [86,6]
	PN40	14.8 [376]	--	7.55 [191,8]	11.7 [297]	245.8 [111,5]
	PN63/64	16.4 [417]	--	7.55 [191,8]	11.7 [297]	314.1 [142,5]
	PN100	18.9 [480]	--	7.55 [191,8]	11.7 [297]	463.5 [210,2]
	JIS 10K	--	--	--	--	--
	JIS 20K	--	--	--	--	--
JIS 40K	--	--	--	--	--	
12 IN METER DN300	150 LB	16.8 [427]	17.3 [439]	9.56 [242,8]	12.8 [325]	282.0 [127,9]
	300 LB	18.0 [457]	18.6 [472]	9.56 [242,8]	12.8 [325]	412.2 [187,0]
	600 LB	20.5 [521]	20.6 [523]	9.56 [242,8]	12.8 [325]	609.9 [276,6]
	PN10	13.1 [333]	--	9.56 [242,8]	12.8 [325]	188.3 [85,4]
	PN16	13.9 [353]	--	9.56 [242,8]	12.8 [325]	211.8 [96,1]
	PN25	15.0 [381]	--	9.56 [242,8]	12.8 [325]	262.4 [119,0]
	PN40	16.8 [427]	--	9.56 [242,8]	12.8 [325]	349.9 [158,7]
	PN63/64	18.8 [478]	--	9.56 [242,8]	12.8 [325]	444.2 [201,5]
	PN100	21.2 [538]	--	9.56 [242,8]	12.8 [325]	672.1 [304,8]
	JIS 10K	--	--	--	--	--
	JIS 20K	--	--	--	--	--
JIS 40K	--	--	--	--	--	
14 IN METER DN 350	150 LB	19.77 [502]	--	11.38 [289,0]	13.7 [348]	410 [186]

FOR DISPLAY OPTION, ADD 0.2 LB (0.1 kg)

EMERSON
Process Management

ROSEMOUNT®
8200 Market Boulevard Chaska, MN 55317 USA

SIZE C

08800-0009

REV AP

CAD Maintained, (Pro/E) SHEET 2 OF 4

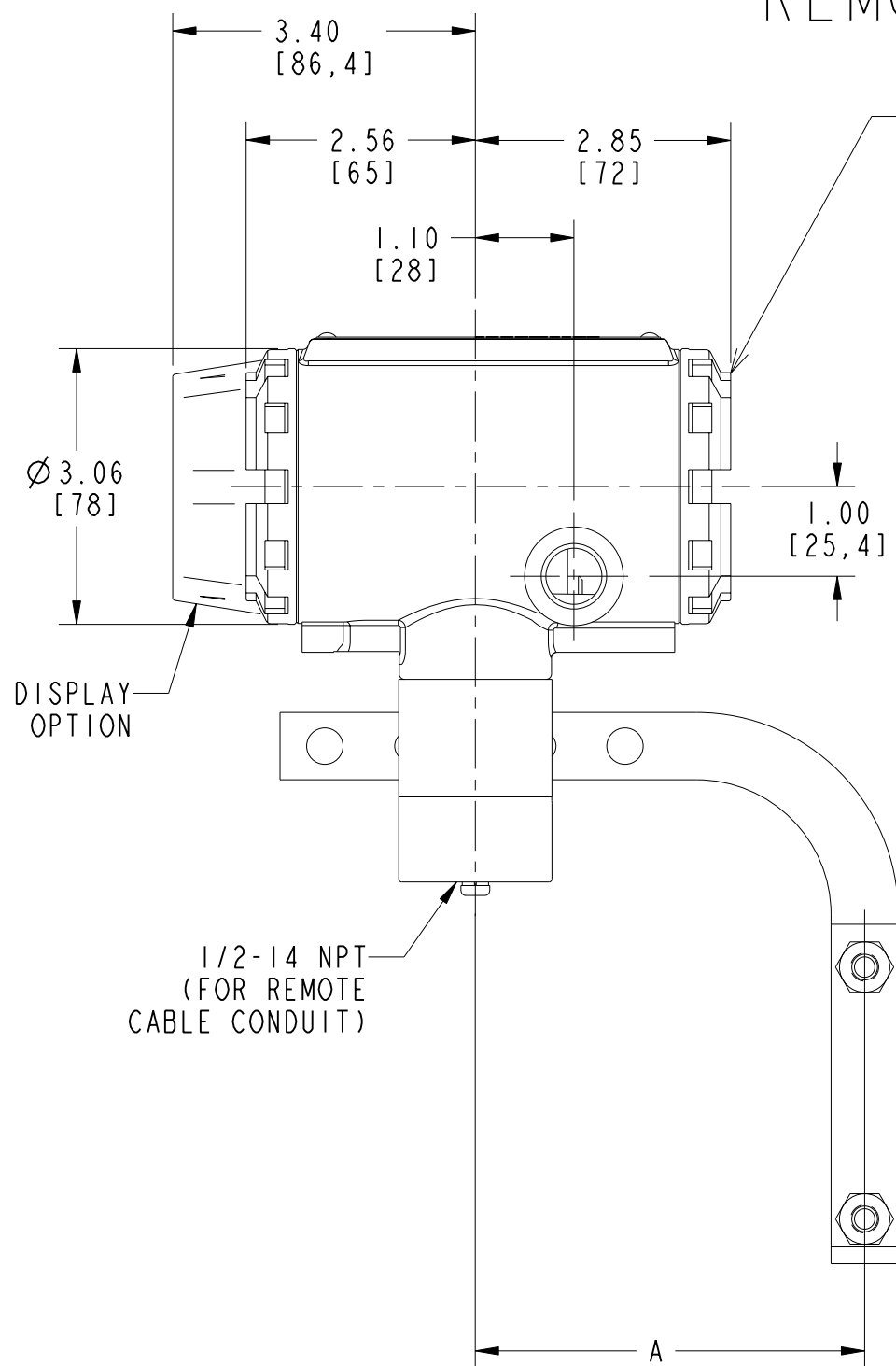
4

3

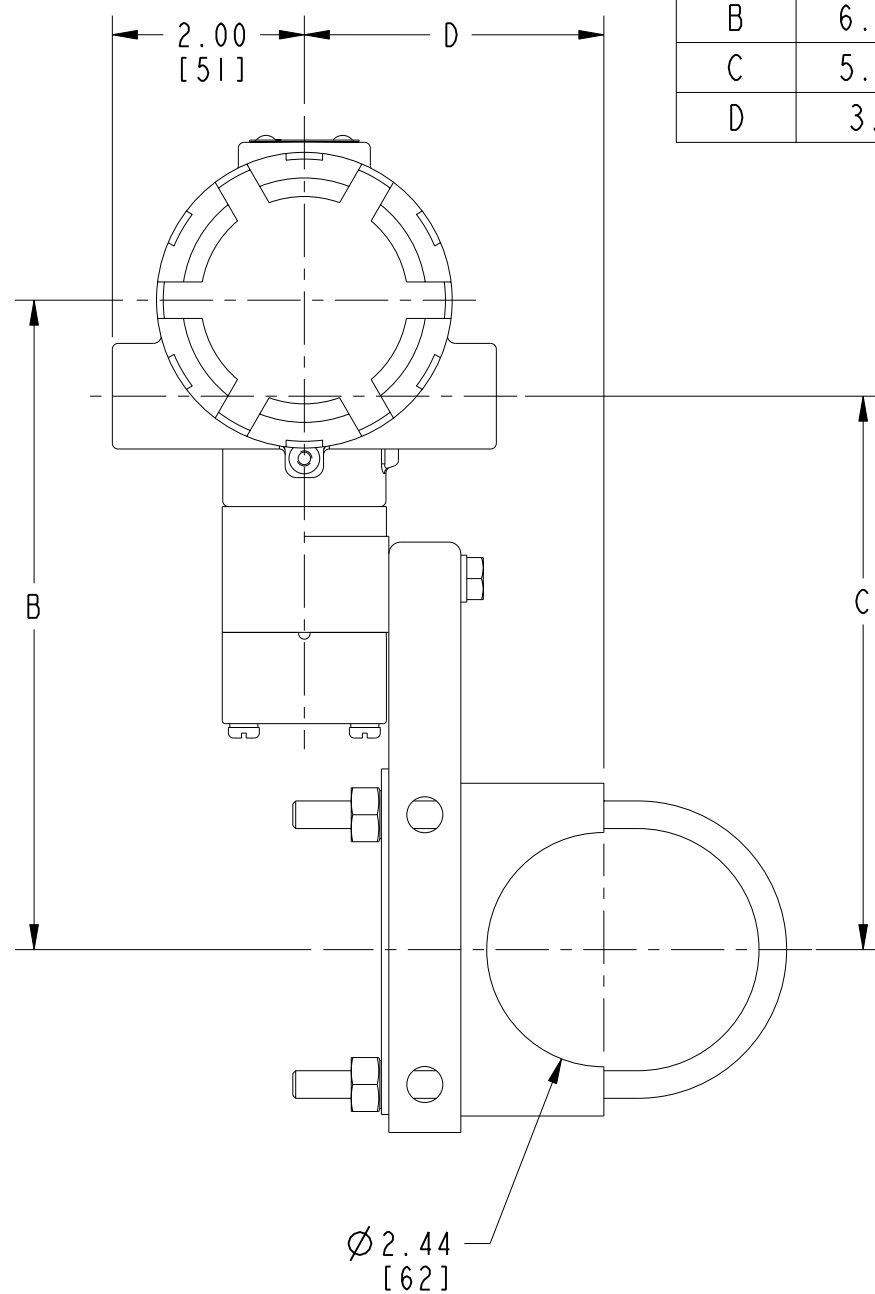
2

1

REMOTE MOUNT

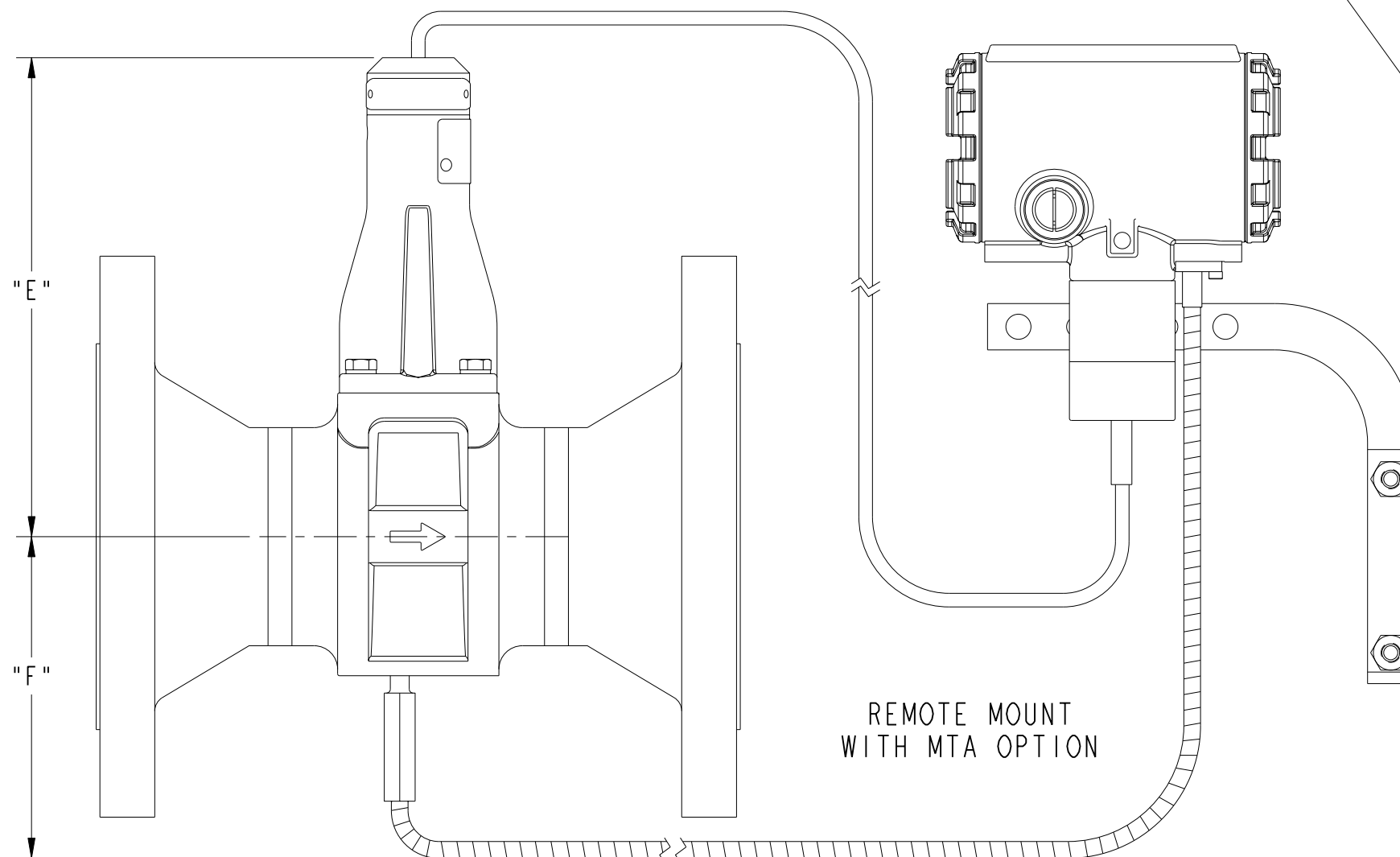
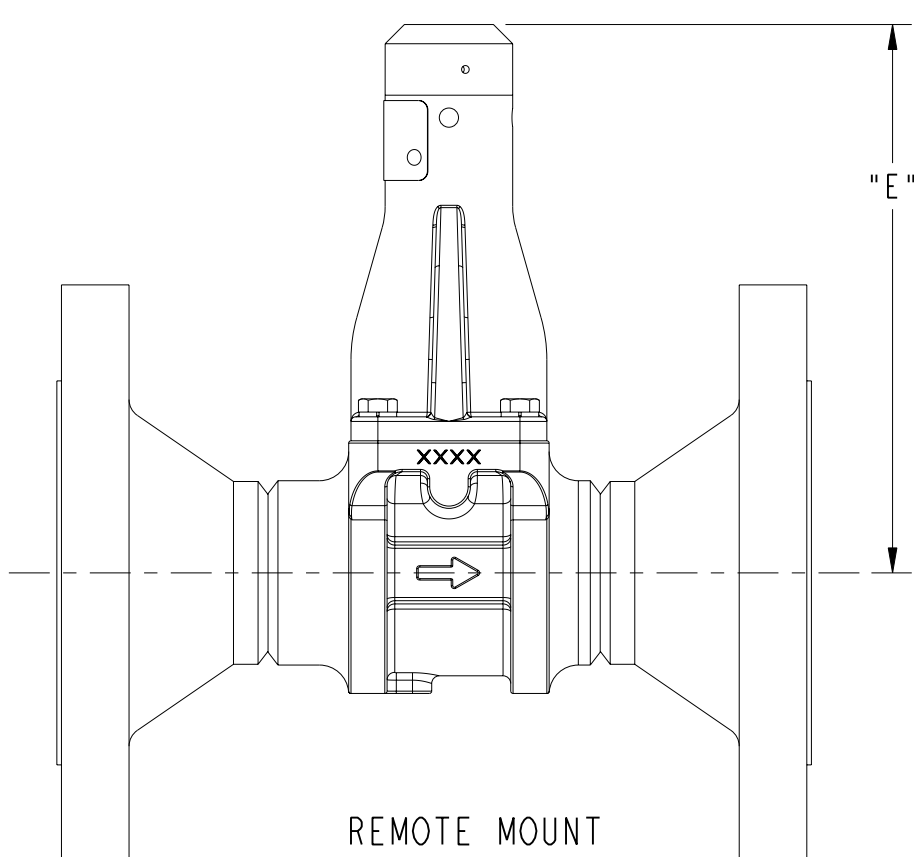
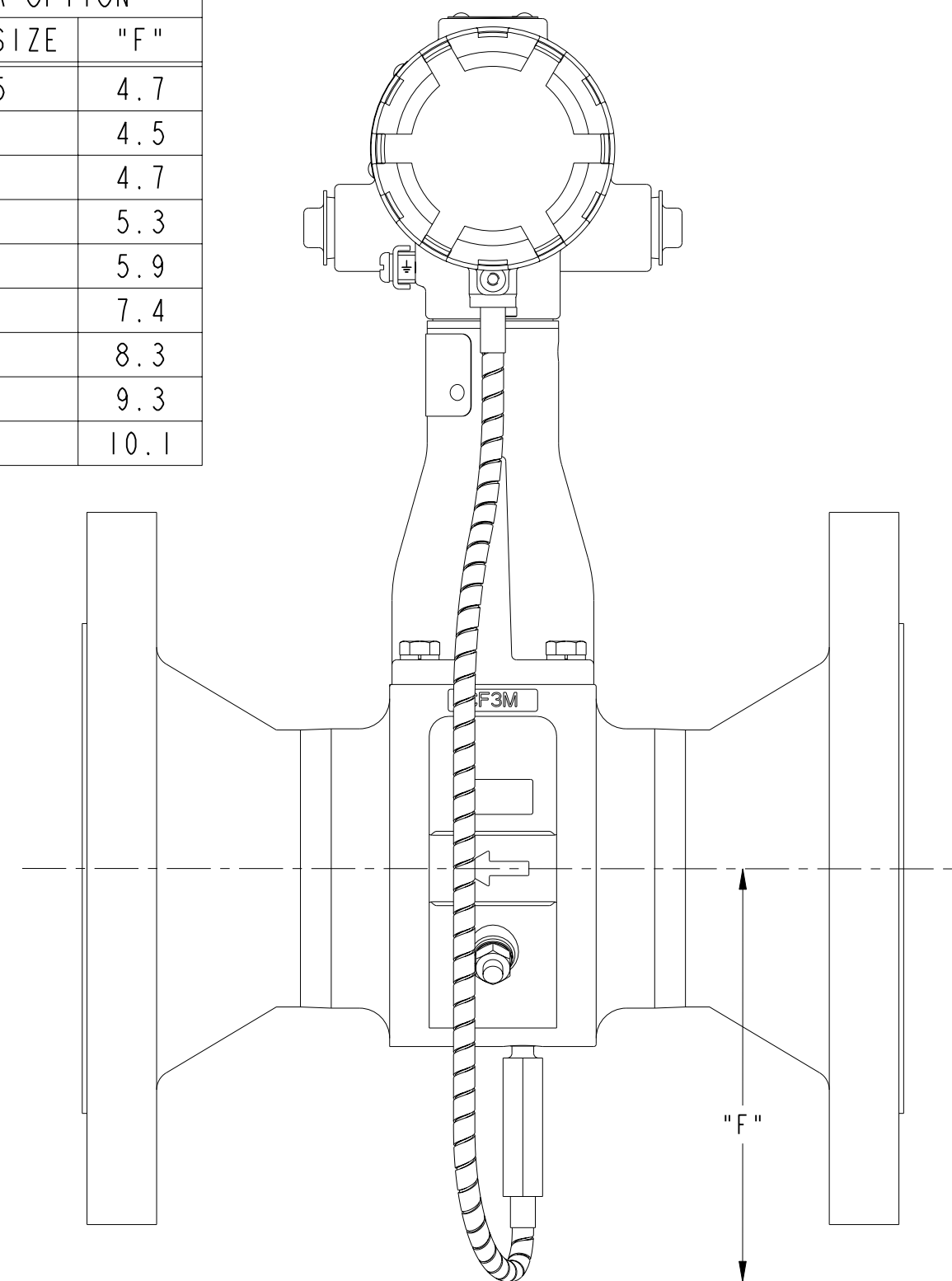


ELECTRONICS HOUSING MATERIAL		
DIM	ALUMINUM	SST
A	4.35 [110]	4.47 [114]
B	6.77 [172]	6.89 [175]
C	5.77 [147]	5.89 [150]
D	3.12 [79]	3.37 [86]



MTA OPTION 1.5" - 14"

MTA OPTION	
LINE SIZE	"F"
1.5	4.7
2	4.5
3	4.7
4	5.3
6	5.9
8	7.4
10	8.3
12	9.3
14	10.1



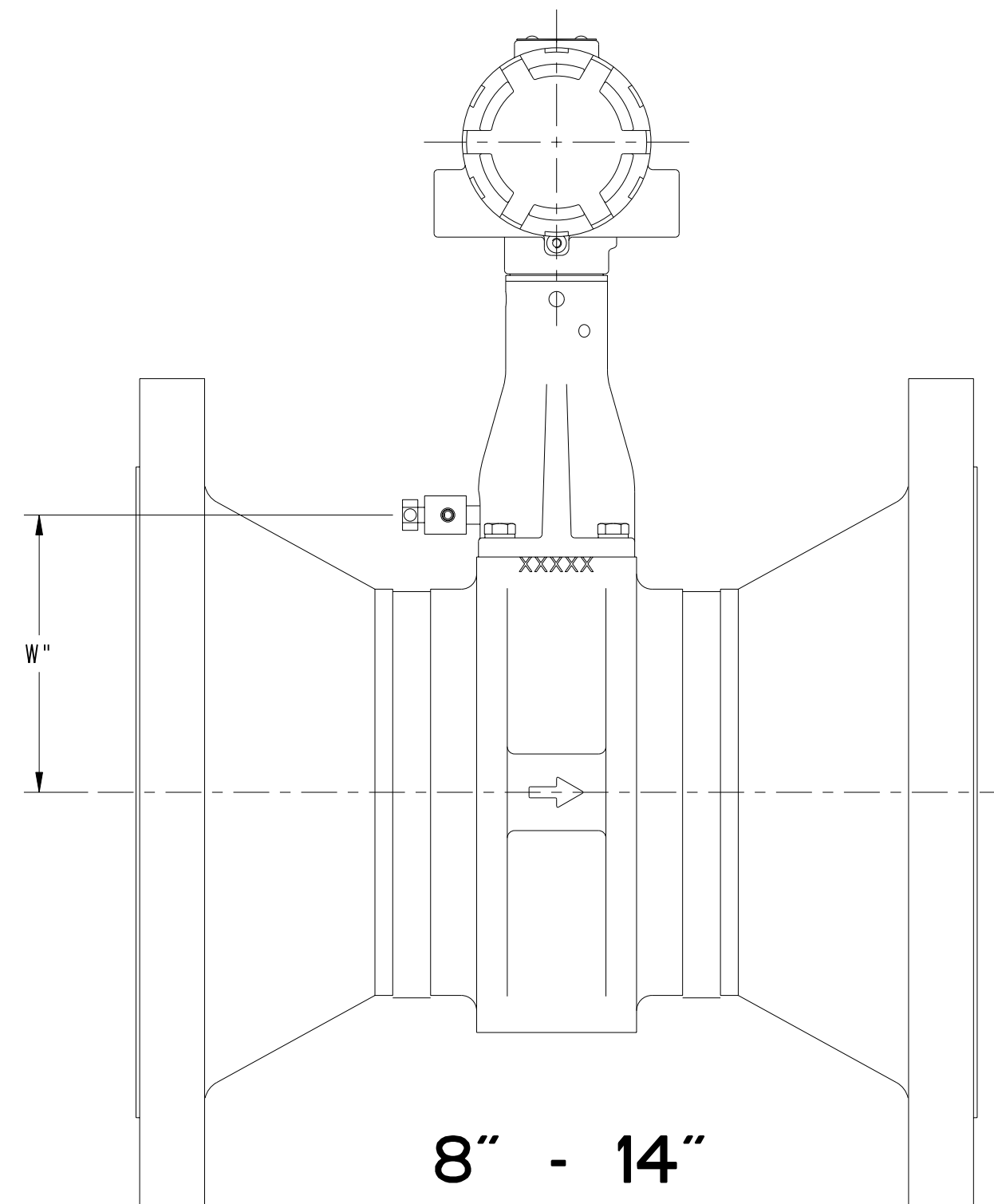
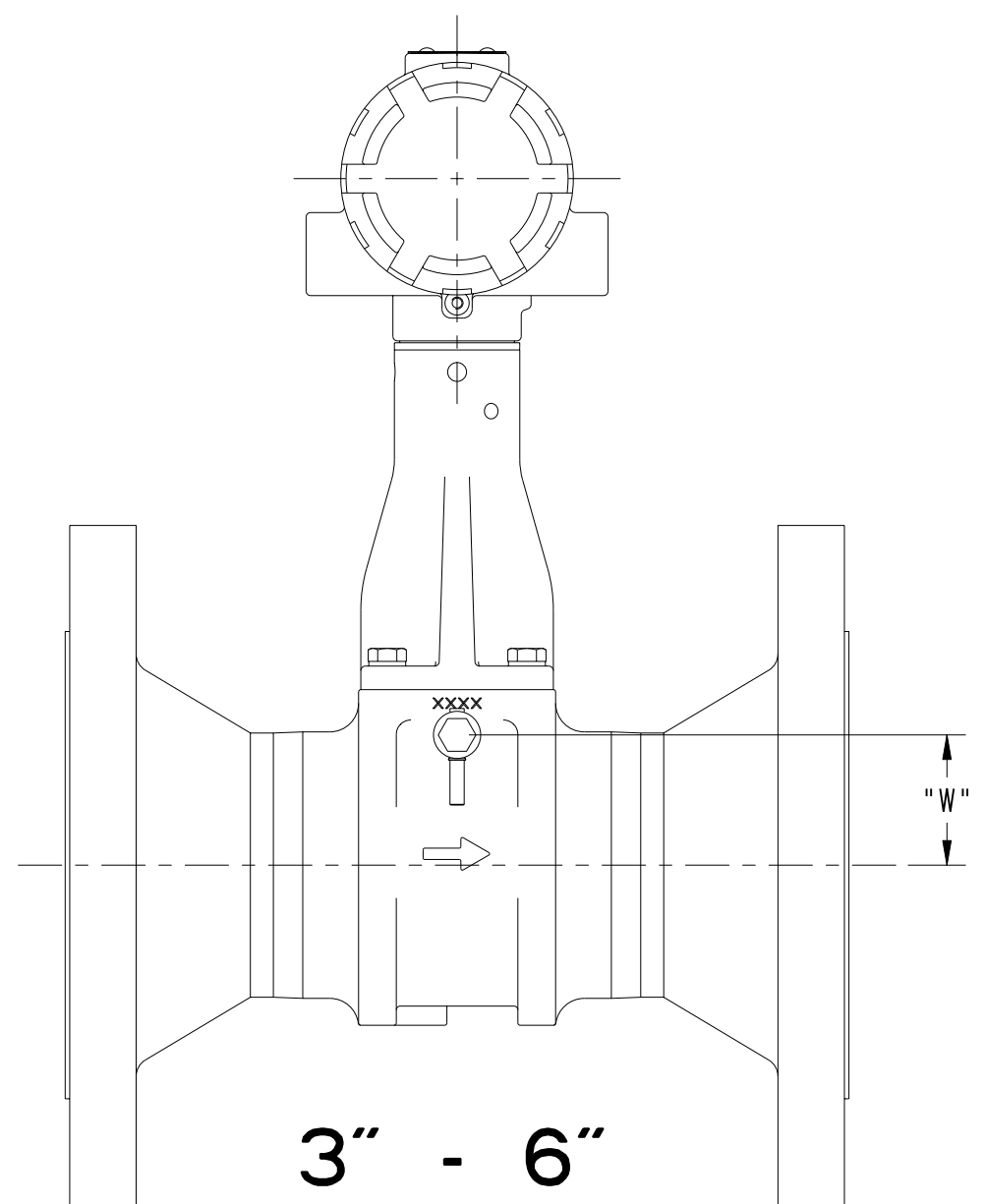
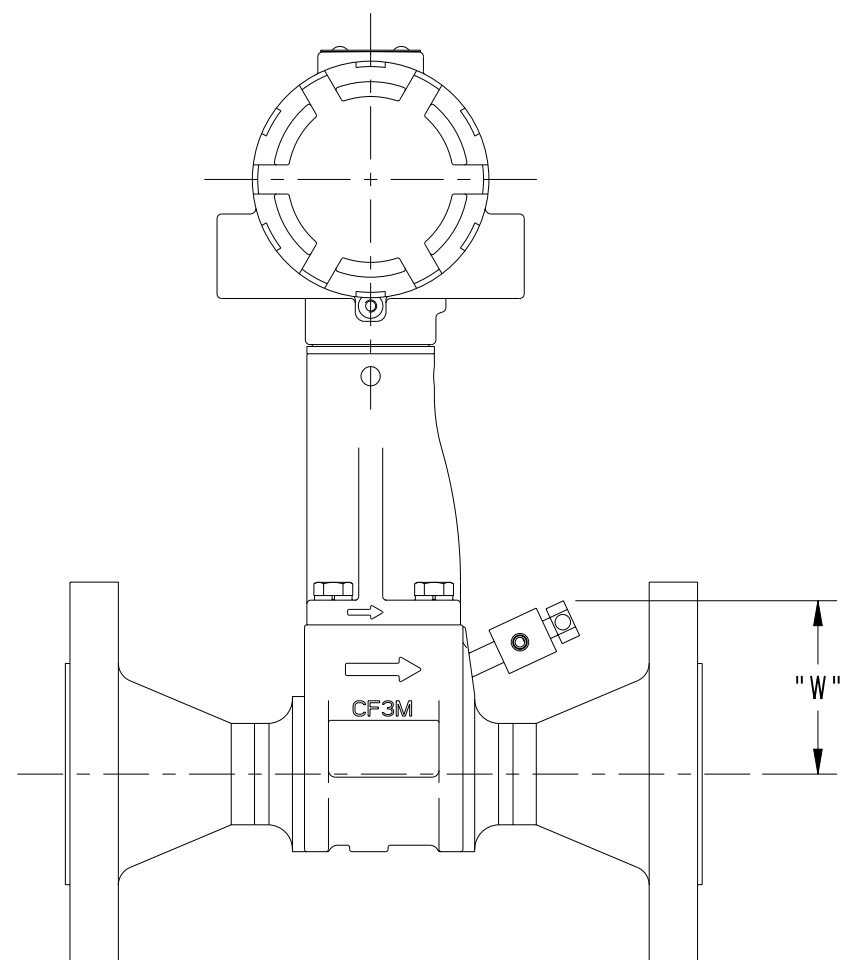
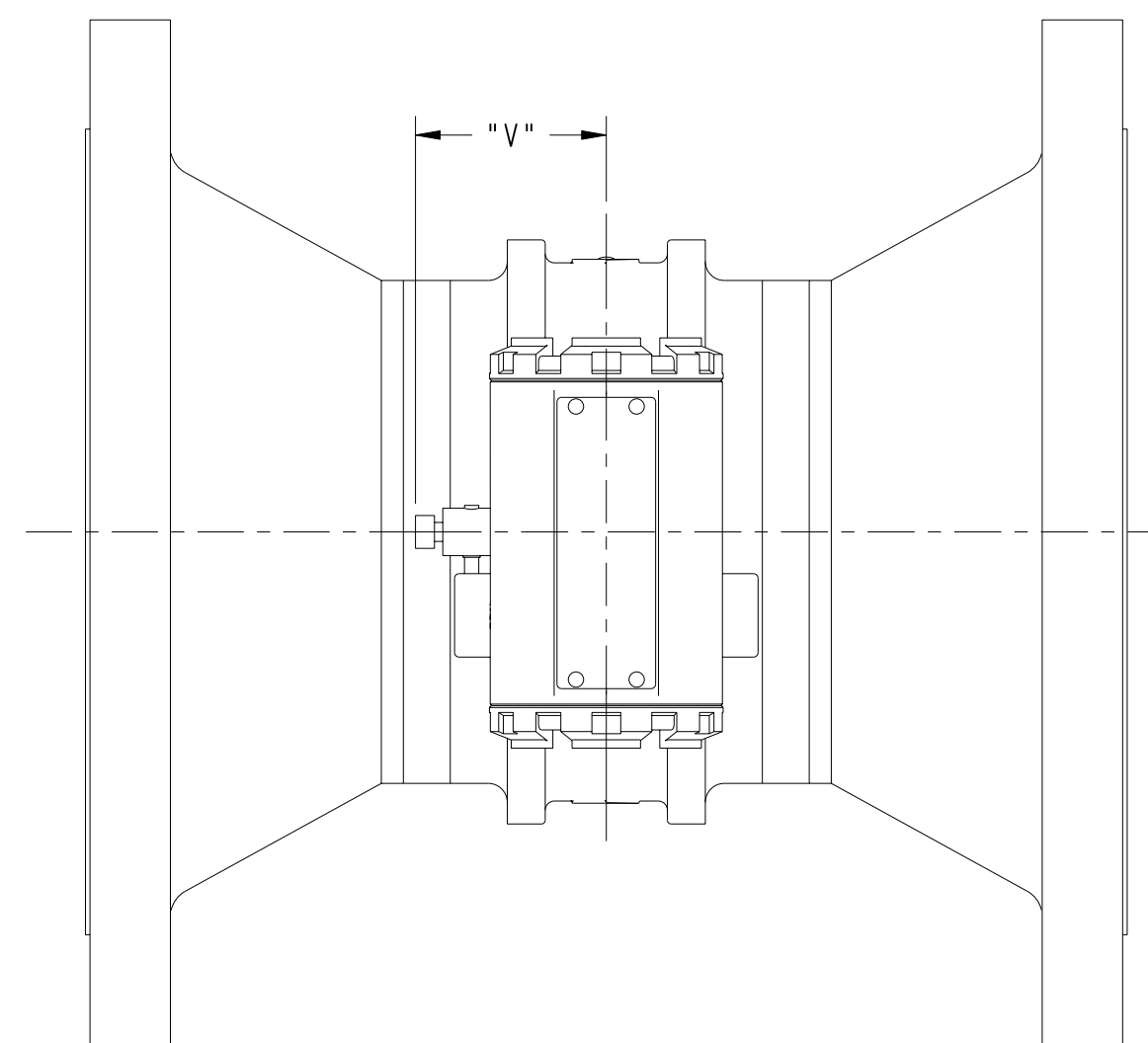
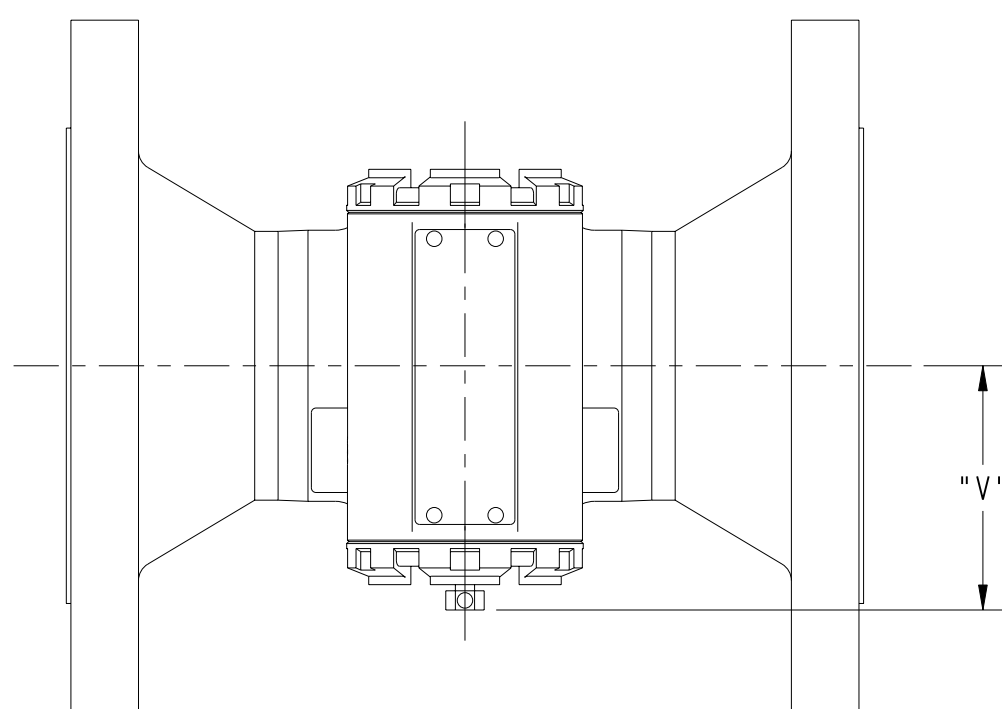
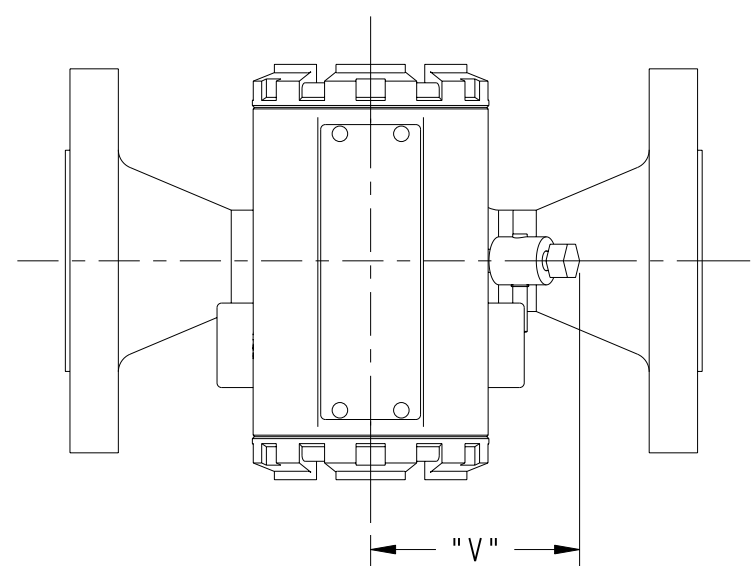
REMOTE MOUNT		
NOMINAL SIZE INCH [mm]	"E"	"F"
1" METER	6.4 [162]	-
1.5" METER	6.5 [165]	4.7 [119]
2" METER	6.8 [173]	4.5 [114]
3" METER	7.2 [183]	4.7 [119]
4" METER	7.8 [198]	5.3 [135]
6" METER	8.3 [211]	5.9 [150]
8" METER	9.5 [241]	7.4 [188]
10" METER	10.4 [264]	8.3 [211]
12" METER	11.4 [290]	9.3 [236]
14" METER	12.3 [312]	10.1 [256]

EMERSON Process Management **ROSEMOUNT**
 8200 Market Boulevard Chaska, MN 55317 USA

SIZE C	08800-0009	REV AP
CAD Maintained, (Pro/E) SHEET 3 OF 4		

FORM B71-01

CPA OPTION



1.5" - 2"

3" - 6"

8" - 14"

CPA OPTION		
LINE SIZE	"V"	"W"
1.5	2.74	2.25
2	2.58	2.59
3	3.18	1.12
4	3.18	1.73
6	3.18	2.25
8	2.51	4.53
10	2.51	5.57
12	2.51	6.58
14	2.51	7.49

FOR TRANSMITTER DIMENSIONS SEE SHEET 1

<small>EMERSON Process Management</small>		<small>ROSEMOUNT®</small> <small>8200 Market Boulevard Chaska, MN 55317 USA</small>
SIZE	08800-0009	REV
C		AP
<small>CAD Maintained, (Pro/E) SHEET 4 OF 4</small>		

FORM B7, 1A